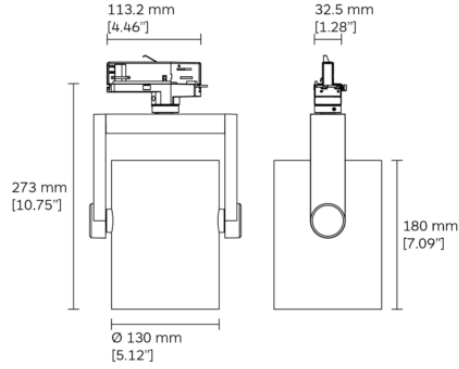


MOTO-ZERO ZOOM 130

ORDERING CODE: M670BN21-9030BSDC10



DESCRIPTION

Motorized track mounted spotlight with smart Beam Shaping (Zoom) system. Moto-Zero Zoom is available in 3 different light head diameters: 68mm, 80 and 130mm. The fixtures are inclusive of adapter compatible with 3 phase Eurotype Track. Two DC motors drive the movements of the fixture, tilting them vertically up to 90° in two directions and rotating them horizontally 350°, a third motor controls a special lens, which allows the user to shape the light beam from narrow to wide beam.

Moto-Zero Zoom available with different options of light sources and CCT, like SunLike LED, Tunable White and Lumenetix. The movements and the beam shaping of the fixture, as well as the intensity and the colour tuning of the light, are controlled via CASAMBI™ application.

MOUNTING

Track

OPTIC

Lens.
Special lenses with beam-shaping technology.

DIMMING OPTIONS

DC - CASAMBI

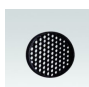



LIGHT SOURCE AND PERFORMANCE

| | |
|---------------------------|--|
| LIGHT SOURCE: | LED Built-in with body - High Power LED - Power LED |
| SDCM: | 3-Step MacAdam |
| COLOR TEMPERATURE: | 30 - 3000K |
| CRI: | 90 |
| IP: | 20 |
| LED POWER: | 25 |
| NOMINAL LUMEN: | 2870 |
| SYSTEM POWER: | 28 |
| DELIVERED LUMEN: | 2799 |
| BEAM ANGLE (BA°): | BS |
| Notes: | BS= Adjustable Beam Shaping lens in a range within 7°-18° range. |

| PRODUCT CODE | LIGHT SOURCE CODE | - | CRI | CCT | BEAM ANGLE (BA°) | DIMMING OPTIONS | FINISH |
|--------------|-------------------|---|-----|-----|------------------|-----------------|------------|
| M670 | BN21 | - | 90 | 30 | BS | DC | 10 - Black |

ACCESSORIES

| | | |
|--|------------------|------|
|  | Honeycomb Louvre | 2D95 |
|  | Snoot 45° | 2F24 |

We reserve the right to change specifications without prior notification.

MOTO-ZERO ZOOM 130

ORDERING CODE: M670BN21-9030BSDC10



Snoot

2F23

NOTES:

BS: Beam shaping.

We reserve the right to change specifications without prior notification.