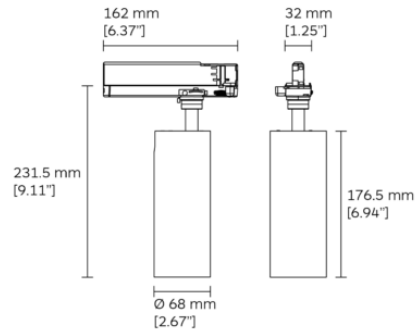


MOTO-ZERO COMPASSO ZOOM 68

ORDERING CODE: M668BC31-9030BSDC10



DESCRIPTION

Motorized track mounted spotlight with light head and mounting arm in cast aluminium.

Moto-Zero Compasso Zoom is available in 4 diameters: 40mm, 68mm and 80mm.

The integrated track adapter with built-in driver is compatible with 3 phase eurotype track.

Two DC motors drive the movements of the fixtures, tilting them vertically up to 90° and rotating horizontally 350° a third motor controls a special lens, which allows the user to shape the light beam from narrow to wide diffuse.

The movements and the beam shaping of the fixture, as well as the intensity and the colour tuning of the light, are controlled via CASAMBI™ application.

MOUNTING

Track

OPTIC

Lens.

Special lenses with beam-shaping technology.

DIMMING OPTIONS

DC - CASAMBI



LIGHT SOURCE AND PERFORMANCE

LIGHT SOURCE: LED Built-in with body - High Efficacy BC31 - LED

SDCM: 3-step MacAdam

COLOR TEMPERATURE: 30 - 3000K

CRI: 90

IP: 20

LED POWER: 14

NOMINAL LUMEN: 1410

SYSTEM POWER: 15

DELIVERED LUMEN: 1269

BEAM ANGLE (BA°): BS

Notes: BS= Adjustable Beam Shaping lens in a range within 11°-35° range.

PRODUCT CODE	LIGHT SOURCE CODE	-	CRI	CCT	BEAM ANGLE (BA°)	DIMMING OPTIONS	FINISH
M668	BC31	-	90	30	BS	DC	10 - Black

NOTES:

BS: Beam shaping.

Wide angle donotes as field angels.