
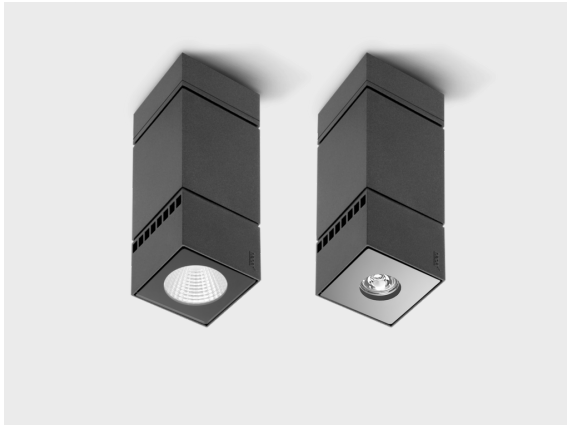


VEGA C

Flexible and Reliable Product Family

CE UK CA IK07 IP65 

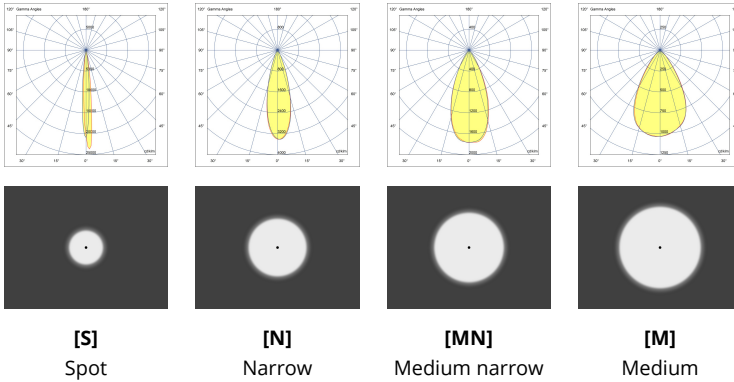
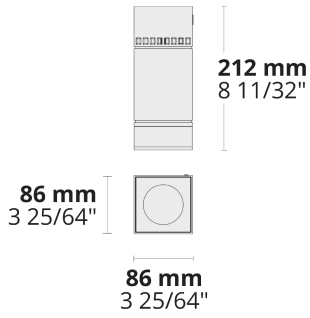


With its square form factor, advanced optics providing perfect beam control, and durable body VEGA C family stand out for highlighting architectural details in modern projects.

- Equipped with HEPER's Hybrid (HYB) module [S] [N]
- 4 different throw options
- Well-defined beam angles with reflector and lens combined (HYB)
- Easy installation and maintenance

Product code	Product name	Light distribution	Delivered lumens flux	Rated input power	Colour temperature	Control	Weight
LD8020.693-EN	VEGA C	[S] 7°, [N] 26°, [MN] 42°, [M] 60°	606 - 1019 lm	10 W	2700 K CRI 80, 3000 K CRI 80, 4000 K CRI 70, 4000 K CRI 80	On/Off, DALI	5.4 kg

LD8020.693



Extras

Consult the factory

Luminaire body options

120-277V
50/60Hz

DPC

UNI

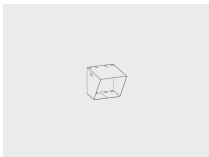
120-277V 50/60Hz

DPC

Double powder
coating

Accessories (To be ordered separately)

Optical accessories



Visor for VEGA S
100708016

HPR Pazarlama A.Ş.
Başkent OSB 22. Cd. No: 2, Malıköy, Temelli,
Sincan, 06909 Ankara, Turkey
+90 312 267 54 30
info@hepergroup.com

HEPER Europe GmbH
Ahornweg 5a, 58675
Hemer, Germany
+49 237 2901 2975
infoEU@hepergroup.com

We reserve the right to change specifications without prior written notice. Edition: 31.01.2024. For current version visit heperlighting.com. All flux ($\pm 7\%$ tolerance) and power values ($\pm 10\%$ tolerance) are derived following appropriate IES, CIE, and applicable standards.

