
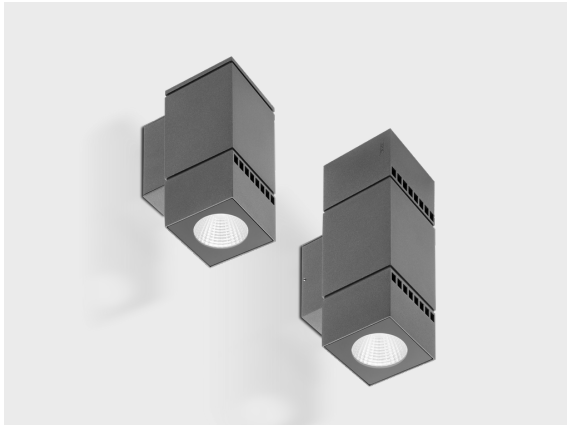


# VEGA S W

Flexible and Reliable Product Family

CE UK CA IK07 IP65 

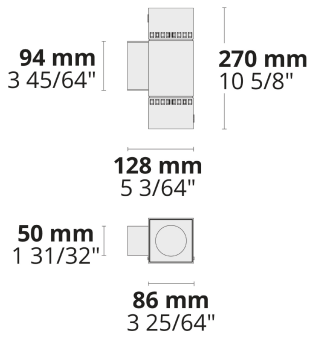


With its rectangular form factor, advanced optics, and durable body, VEGA W family is an excellent choice to add subtle touches in modern architectural projects.

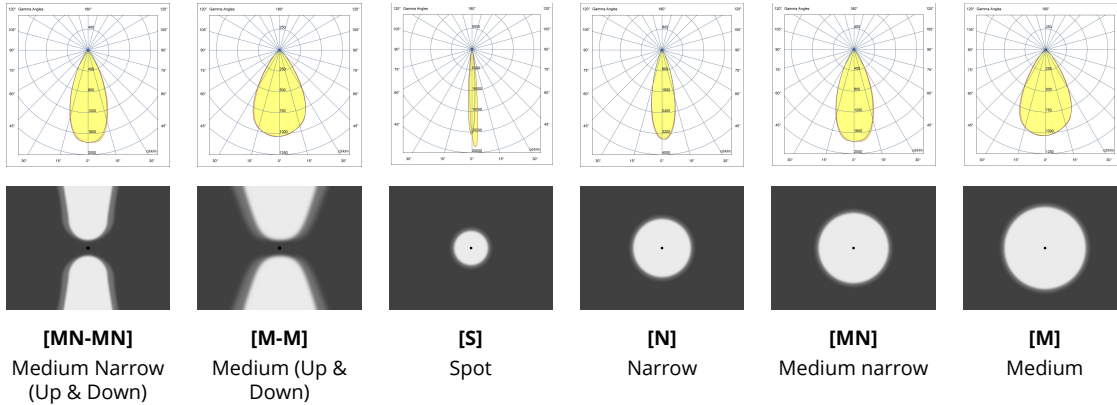
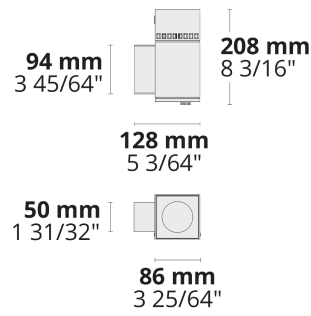
- Equipped with HEPER's Hybrid (HYB) module [S] [N]
- Perfect beam control through multifaceted reflectors (HYB)
- 4 different light distribution options from very narrow to wide
- Easy installation and maintenance

Product code	Product name	Light distribution	Delivered lumens flux	Rated input power	Colour temperature	Control	Weight
LW7037.519-EN	VEGA S W Duo	[MN-MN] 42°, [M-M] 60°	1204 - 2038 lm	18 W	2700 K CRI 80, 3000 K CRI 80, 4000 K CRI 70, 4000 K CRI 80	On/Off, DALI	2.56 kg
LW8020.693-EN	VEGA S W	[S] 7°, [N] 26°, [MN] 42°, [M] 60°	606 - 1019 lm	10 W	2700 K CRI 80, 3000 K CRI 80, 4000 K CRI 70, 4000 K CRI 80	On/Off, DALI	2.14 kg

LW7037.519



LW8020.693



## Extras

Consult the factory

Luminaire body options

120-277V  
50/60Hz

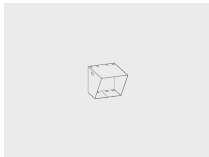
**UNI**

120-277V 50/60Hz

**DPC****DPC**Double powder  
coating

## Accessories (To be ordered separately)

Optical accessories



**Visor for VEGA S**  
100708016

**HPR Pazarlama A.Ş.**  
Başkent OSB 22. Cd. No: 2, Malıköy, Temelli,  
Sincan, 06909 Ankara, Turkey  
+90 312 267 54 30  
info@hepergroup.com

**HEPER Europe GmbH**  
Ahornweg 5a, 58675  
Hemer, Germany  
+49 237 2901 2975  
infoEU@hepergroup.com

We reserve the right to change specifications  
without prior written notice. Edition: 30.01.2024.  
For current version visit [heperlighting.com](http://heperlighting.com). All  
flux ( $\pm 7\%$  tolerance) and power values ( $\pm 10\%$   
tolerance) are derived following appropriate IES,  
CIE, and applicable standards.

