

# PUNTO W

Flexible and Reliable Product Family

CE UK CA IK08 IP65

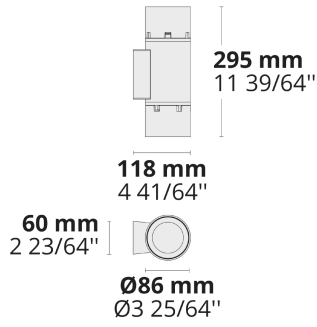


With its round form factor, advanced optics providing perfect beam control, and durable body PUNTO W family stand out for highlighting architectural details in modern projects.

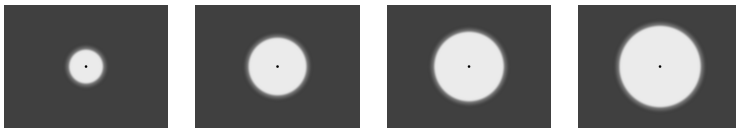
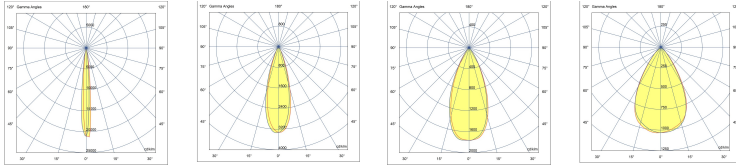
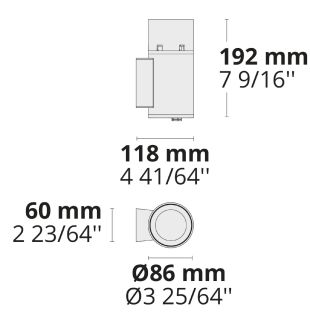
- Equipped with HEPER's Hybrid (HYB) module [S] [N]
- 4 different light distribution options from very narrow to wide
- Well-defined beam angles with reflector and lens combined (HYB)
- Easy installation and maintenance

Product code	Product name	Light distribution	Delivered lumens flux	Rated input power	Colour temperature	Control	Weight
LW7036.519-EN	PUNTO S W Duo		1204 - 2038 lm	18 W	2700 K CRI 80, 3000 K CRI 80, 4000 K CRI 70, 4000 K CRI 80	On/Off, DALI	1.51 kg
LW8017.693-EN	PUNTO S W	[S] 7°, [N] 26°, [MN] 42°, [M] 60°	606 - 1019 lm	10 W	2700 K CRI 80, 3000 K CRI 80, 4000 K CRI 70, 4000 K CRI 80	On/Off, DALI	1.27 kg

LW7036.519-EN



LW8017.693-EN



[S]  
Spot

[N]  
Narrow

[MN]  
Medium narrow

[M]  
Medium

## Extras

Consult the factory

120-277V  
50/60Hz

UNI

120-277V 50/60Hz

## Accessories (To be ordered separately)

Optical accessories

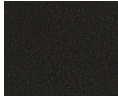


Visor for PUNTO S  
007502282

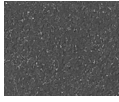
HPR Pazarlama A.Ş.  
Başkent OSB 22. Cd. No: 2, Malıköy, Temelli,  
Sincan, 06909 Ankara, Turkey  
+90 312 267 54 30  
info@hepergroup.com

HEPER Europe GmbH  
Ahornweg 5a, 58675  
Hemer, Germany  
+49 237 2901 2975  
infoEU@hepergroup.com

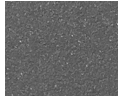
We reserve the right to change specifications without prior written notice. Edition: 30.01.2024. For current version visit [heperlighting.com](http://heperlighting.com). All flux (±%7 tolerance) and power values (±%10 tolerance) are derived following appropriate IES, CIE, and applicable standards.



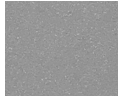
**[HM1]**  
Black



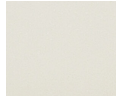
**[HM2]**  
Dark grey



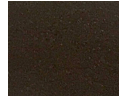
**[HM3]**  
Anthracite  
grey



**[HM4]**  
Light grey



**[HM5]**  
White



**[HM6]**  
Bronze



**[CC]**  
Custom  
colour  
(Please  
specify RAL  
code)