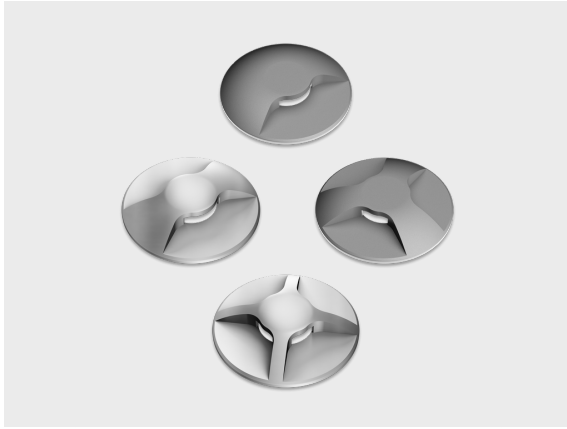


MINIMO

Simple and Variational In-ground Family

CE UK CA IK10 IP67

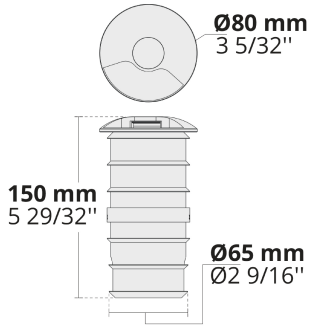


With its round form factor and four different lighting options, MINIMO family is a great choice to accentuate modern public spaces.

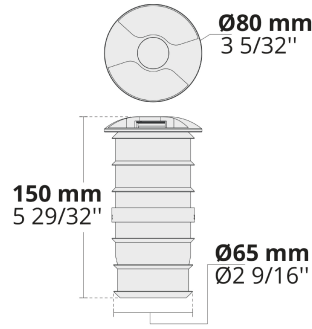
- Equipped with long-lasting high-power LEDs
- 4 different throw options
- Aluminum or stainless steel alternatives
- Easy installation with in-ground housing and IP rated connectors
- Vandal resistant compact design and nimble enough to fit in small spaces

Product code	Product name	Light distribution	Delivered lumens flux	Rated input power	Colour temperature	Control	Weight
LR9015.515-120-EN	MINIMO 120°	[C1-120] 120x38°,	8 - 10 lm	1.7 W	2700 K CRI 80, 3000 K CRI 80, 4000 K CRI 70, 4000 K CRI 80	On/Off	0.6 kg
LR9015.515-2x120-0-EN	MINIMO 2x120°	[-2] 240x50°, [C2-120] 240x50°,	15 - 18 lm	1.7 W	2700 K CRI 80, 3000 K CRI 80, 4000 K CRI 70, 4000 K CRI 80	On/Off	0.6 kg
LR9015.515-3x90-EN	MINIMO 3x90°	[C3-90] 217x26°,	34 - 40 lm	1.7 W	2700 K CRI 80, 3000 K CRI 80, 4000 K CRI 70, 4000 K CRI 80	On/Off	0.6 kg
LR9015.515-4x90-EN	MINIMO 4x90°	[C4-90] 360x50°,	17 - 20 lm	1.7 W	2700 K CRI 80, 3000 K CRI 80, 4000 K CRI 70, 4000 K CRI 80	On/Off	0.6 kg

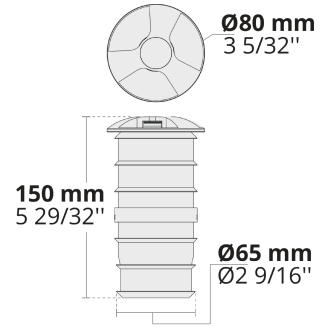
LR9015.515-120



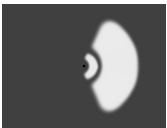
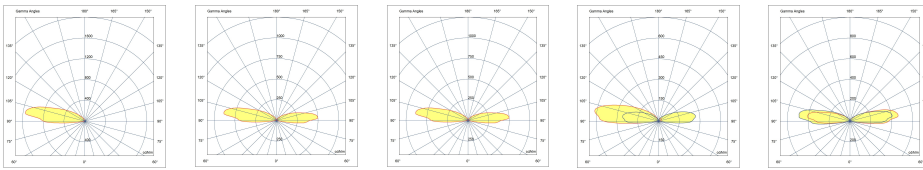
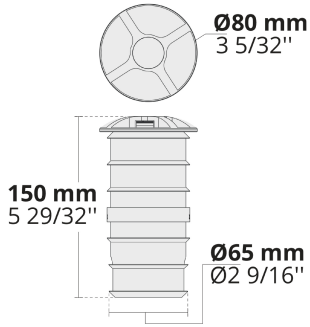
LR9015.515-2x120



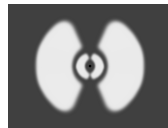
LR9015.515-3x90



LR9015.515-4x90



[-2]



[C1-120]
Controlled,
1 side,
120°

[C2-120]
Controlled,
2 sides,
2x120°

[C3-90]
Controlled,
3 sides,
3x90°

[C4-90]
Controlled,
4 sides,
4x90°

Extras

Consult the factory

Luminaire body options

120-277V
50/60Hz

SS

UNI

120-277V 50/60Hz

SS

Stainless steel housing

Accessories (Included)

Mounting accessories

Mounting accessories

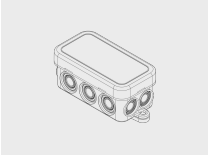
Accessories (To be ordered separately)

Mounting accessories

HPR Pazarlama A.Ş.
Başkent OSB 22. Cd. No: 2, Malıköy, Temelli,
Sincan, 06909 Ankara, Turkey
+90 312 267 54 30
info@hepergroup.com

HEPER Europe GmbH
Ahornweg 5a, 58675
Hemer, Germany
+49 237 2901 2975
infoEU@hepergroup.com

We reserve the right to change specifications without prior written notice. Edition: 26.01.2024. For current version visit heperlighting.com. All flux (±%7 tolerance) and power values (±%10 tolerance) are derived following appropriate IES, CIE, and applicable standards.



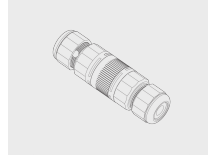
**Junction Box for
MINIMO-MINIKA**

141901034



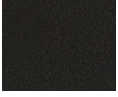
**Plastic case for
MINIMO/MINIKA**

160401101

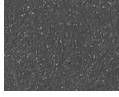


**Connector set - 5-
pole**

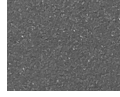
141407400



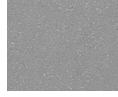
[HM1]
Black



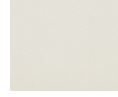
[HM2]
Dark grey



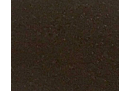
[HM3]
Anthracite
grey



[HM4]
Light grey



[HM5]
White



[HM6]
Bronze



[CC]
Custom
colour
(Please
specify RAL
code)