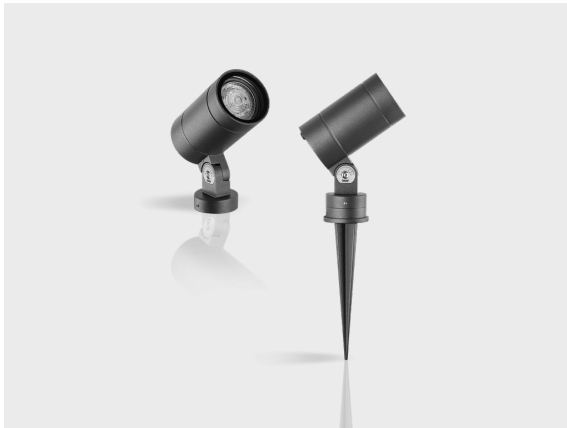


# PINA F

Simple and Functional Floodlight Family

CE UK CA IK06 IP65 

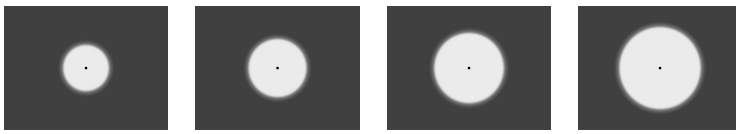
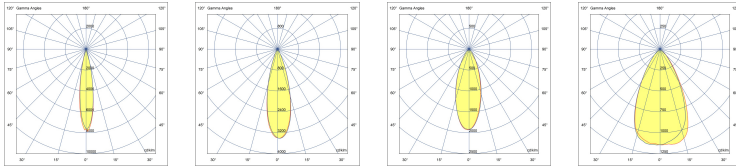
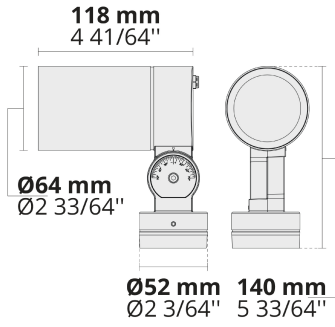


Small form factor and flexible optics make PINA F stand out for lighting applications in landscaped areas.

- Equipped with GU10 LED light source
- Offering up to 4 different beam angles from very narrow to medium
- +45°/-45° vertically adjustable with aim locking set screw allowing fine-tuning
- Easy installation and maintenance
- Surface mountable via a stationery base or spike (optional)

Product code	Product name	Light distribution	Delivered lumens flux	Rated input power	Colour temperature	Control	Weight
LF8033.003-EN	PINA Flood	[VN] 10°, [N] 25°, [MN] 36°, [M] 60°	368 - 410 lm	7.5 W	2700 K CRI 90, 3000 K CRI 90, 4000 K CRI 90	On/Off	0.43 kg

LF8033.003



[VN]

Very narrow

[N]

Narrow

[MN]

Medium narrow

[M]

Medium

## Extras

Consult the factory

120-277V  
50/60Hz

UNI

120-277V 50/60Hz

## Accessories (To be ordered separately)

Mounting accessories



Spike

160405040

HPR Pazarlama A.Ş.  
Başkent OSB 22. Cd. No: 2, Malıköy, Temelli,  
Sincan, 06909 Ankara, Turkey  
+90 312 267 54 30  
info@hepergroup.com

HEPER Europe GmbH  
Ahornweg 5a, 58675  
Hemer, Germany  
+49 237 2901 2975  
infoEU@hepergroup.com

We reserve the right to change specifications without prior written notice. Edition: 26.01.2024. For current version visit [heperlighting.com](http://heperlighting.com). All flux ( $\pm 7\%$  tolerance) and power values ( $\pm 10\%$  tolerance) are derived following appropriate IES, CIE, and applicable standards.

