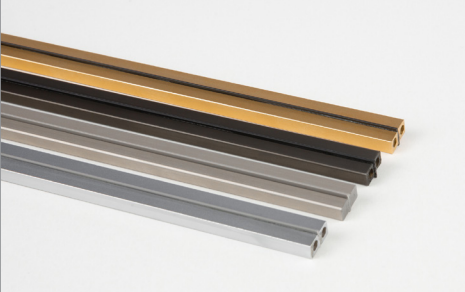
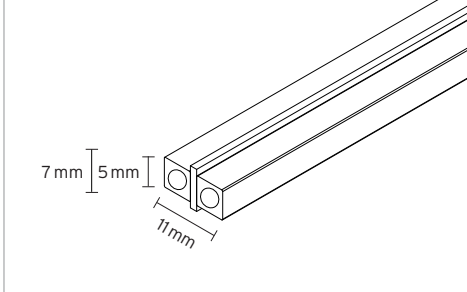

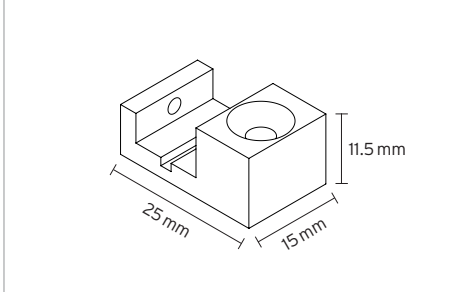

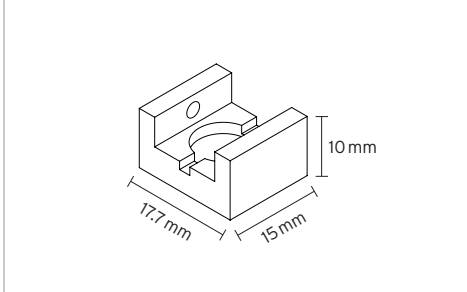

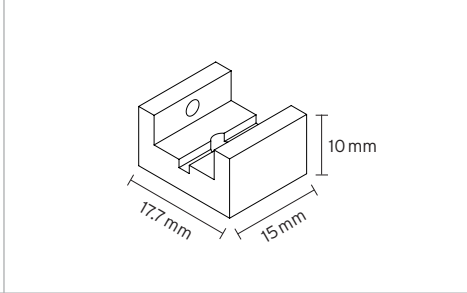
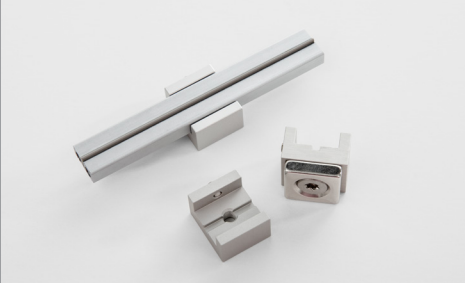
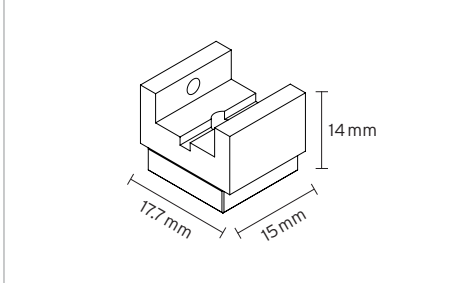


Accessories // Magnetic Tracks

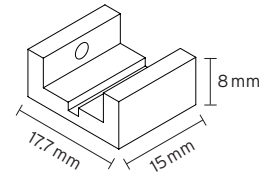
Magnetic Track		
	<ul style="list-style-type: none"> - low voltage magnetic track - length 2 m, connectable - in silver matt, champagne matt, black matt, gold matt available - electrical connection on one or both sides - connecting cable: standard length 3 m, pre-assembled with banana plug - power input: 12V DC constant voltage 	
fastening part asymmetric		
	<ul style="list-style-type: none"> - magnetic track holder - for mounting on wood or metal - in aluminum anodized black, silver, champagne, gold - mounting: screw on (M4), both sides mountable - track secured with locking screw (M3x4) - recommended number per meter: 3 	
fastening part symmetric screw on		
	<ul style="list-style-type: none"> - magnetic track holder - in aluminum anodized black, silver, champagne, gold - mounting on wood: with a suitable countersunk screw - mounting on metal: with countersunk screw M4 + suitable washer (plastic) - track secured with locking screw (M3x4) - recommended number per meter: 3 	
fastening part symmetric with internal thread		
	<ul style="list-style-type: none"> - magnetic track holder - for mounting on wood or metal - in aluminum anodized black, silver, champagne, gold - mounting: screw on with internal thread (M4) - track secured with locking screw (M3x4) - recommended number per meter: 3 	
fastening part symmetric with internal thread incl. magnet		
	<ul style="list-style-type: none"> - magnetic track holder - for mounting on magnetic surfaces - in aluminum anodized black, silver, champagne, gold - mounting: magnetic - track secured with locking screw (M3x4) - recommended number per meter: 3 	

Accessories // Magnetic Tracks

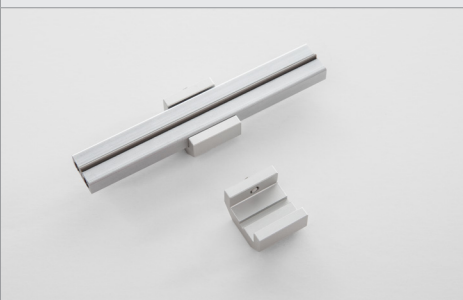
fastening part symmetric glue on



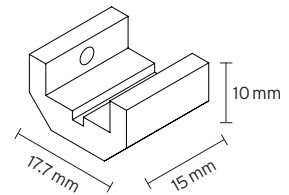
- magnetic track holder
- in aluminum anodized black, silver, champagne, gold
- mounting: glue on (special construction adhesive)
- track secured with locking screw (M3x4)
- recommended number per meter: 3



fastening part corner symmetric glue on



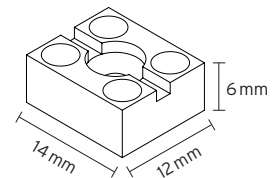
- magnetic track holder
- in aluminum anodized black, silver, champagne, gold
- mounting: glue on (special construction adhesive)
- track secured with locking screw (M3x4)
- recommended number per meter: 3



fastening part symmetric mini screw on



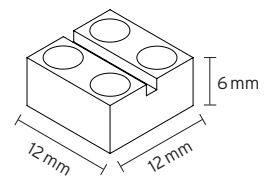
- magnetic track holder
- for mounting on wood or metal
- in aluminum anodized black, silver, champagne, gold
- mounting: screw on (M3)
- recommended number per meter: 4



fastening part symmetric mini glue on



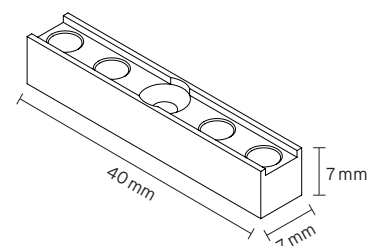
- magnetic track holder
- in aluminum anodized black, silver, champagne, gold
- mounting: glue on (special construction adhesive)
- recommended number per meter: 4



fastening part symmetric mini 90° screw on



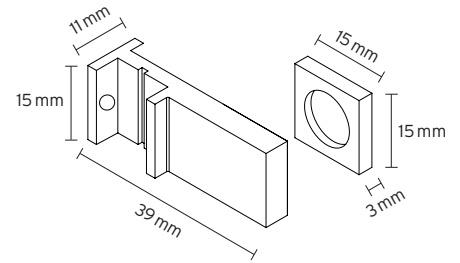
- magnetic track holder
- for mounting on wood or metal
- in aluminum anodized black, silver, champagne, gold
- mounting: screw on (M4)
- recommended number per meter: 4



fastening part glass in a set with steel plate



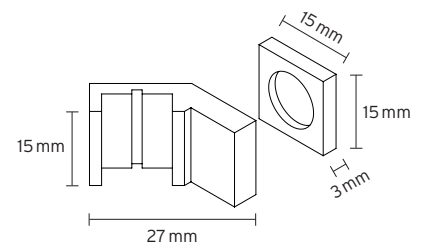
- magnetic track holder
- for mounting on glass
- in aluminum anodized black, silver, champagne, gold
- mounting: magnetic
- track secured with locking screw (M3x4)
- steel plate glue on
- recommended number per meter: 2



fastening part glass 45° in a set with steel plate



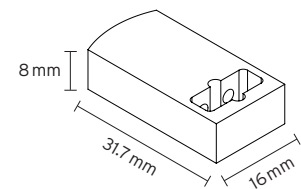
- magnetic track holder
- for mounting on glass
- in aluminum anodized black, silver, champagne, gold
- mounting: magnetic
- track secured with locking screw (M3x4)
- steel plate glue on
- recommended number per meter: 2



glass shelf holder



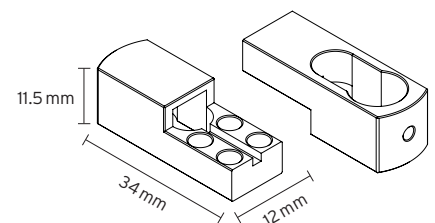
- glass shelf holder for magnetic track
- in aluminum anodized black, silver, champagne, gold
- fastened to the track with 2 screws (M3)



adapter for showcase installation



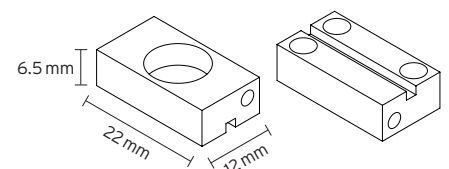
- adapter incl. support tube (Ø 10 mm) for magnetic track for showcase installation
- for length over 1.20 m central support needed
- in aluminum anodized black, silver, champagne, gold
- magnetic and screw on fastening




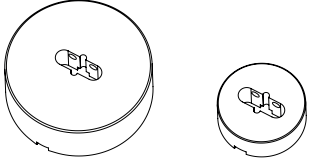

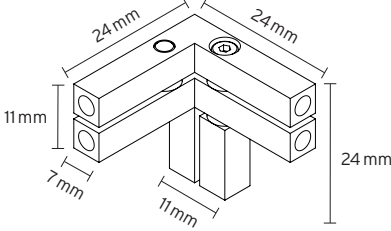

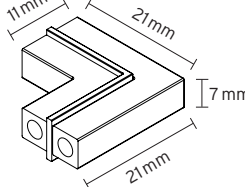

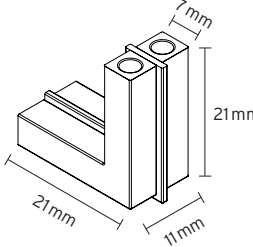

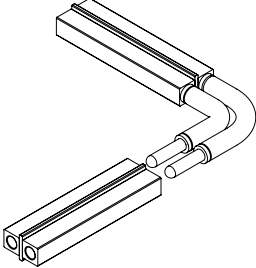
central support for showcase installation



- holder incl. support tube (Ø 10 mm) magnetic track for showcase installation
- from a length of 1.20 m for a sagging to prevent the magnetic track
- in aluminum anodized black, silver, champagne, gold
- magnetic and screw on fastening



Accessories // Magnetic Tracks

<p>puck</p> 	<ul style="list-style-type: none"> - magnetic track holder for free vertical mounting - in aluminum anodized black, silver, champagne, gold - in POM, black - mounting: magnetic or glue on (special construction adhesive) 	 <p>Ø 45 mm / 16 mm Ø 26 mm / 10 mm</p>
<p>Y-connector</p> 	<ul style="list-style-type: none"> - three-axis orthogonal connector for magnetic tracks (dimensions valid without plug) - 2 variants (mirrored) - in aluminum anodized black, silver, champagne, gold - mounting: banana plugs 	
<p>corner connector horizontal</p> 	<ul style="list-style-type: none"> - corner connector horizontal (dimensions valid without plug) - in aluminum anodized black, silver, champagne, gold - mounting: banana plugs 	
<p>corner connector vertical</p> 	<ul style="list-style-type: none"> - corner connector vertical (dimensions valid without plug) - in aluminum anodized black, silver, champagne, gold - mounting: banana plugs 	
<p>corner connector flexible</p> 	<ul style="list-style-type: none"> - corner connector for magnetic tracks - double-sided plug contact with double-core cable, soldered - cable cross-section 2 x 0.5 mm² - standard length 27 mm and 37 mm (length adjustable on request) 	

connector straight



- connector for magnetic tracks/
double banana plugs
- double-sided banana plug contact,
recessed in the magnetic track

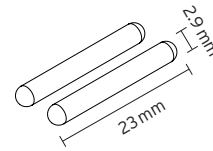


Table attachment for showcase installation



- table attachment for 10 mm support tube
- in aluminum anodized black, silver
- mounting: screw on
- borehole diameter: 14,5 mm
- installation depth: 20 - 40 mm

