



## LED spotlight C2-S with single lens

part number: A400021

### description:

LED spotlight for installation in display cases,  
360° rotatable, 180° swivelling,  
with screw base or magnetic base

### housing colour:

aluminum anodised matte in black, silver, gold, champagne  
(other surface finishing on request)

### optics:

14°, 25°, 60°, 40°+ 15°

### light colour (+/- 100K):

~2,700 K, ~3,000 K, ~3,500 K, ~4,000 K, ~5,700 K

### high power LED, high CRI DIN EN 55015:2013,

lifetime 50,000 hours | basis of lifetime L80B10

### protection class: IP 20, protection class III, CE,

UL Listed No. E506729 - low voltage LED luminaire

### luminous flux (~3,000 K | 25° | 1050 mA):

~260 lm at ~4.5 W (58 lm/W)

### power input:

1050 mA (constant current)

### allowed LED driver:

LED driver for Maxi Jolly by TCI and  
eldoLED SOLOdrive 161/B with constant current  
(other LED driver on request)

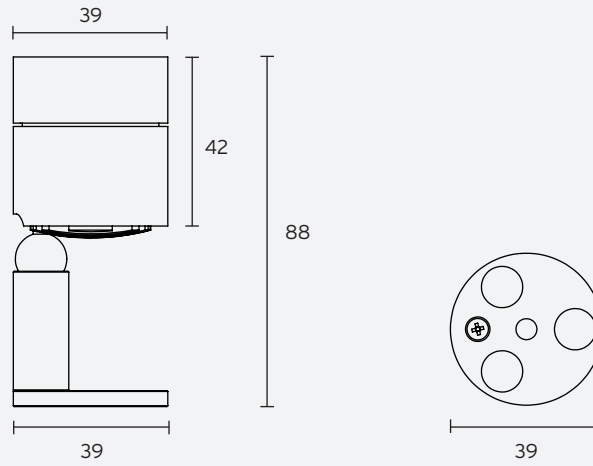
### dimming:

external via potentiometer (incl.)

### optional accessories:

honeycomb grid, anti-glare tube, inclined tube,  
snoot (7°),  
light diffusion foil,  
barn doors

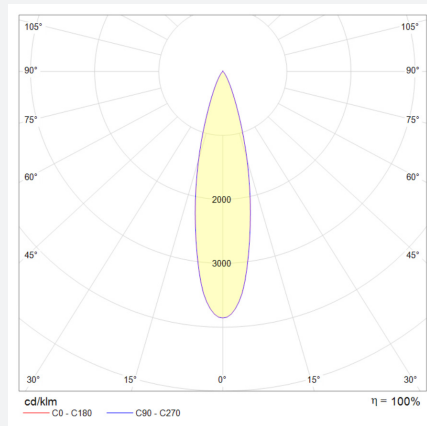
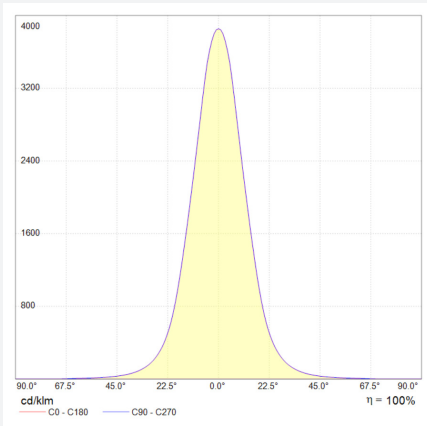
## dimensions



specification in mm

## photometry

for light colour ~3,000K | standard lens 25° | 1050 mA | CRI typ. 97, R9 > 90, R12 > 90 | colour variation ≤ 3 SDCM



technical changes reserved | July 2023



## LED spotlight C2-S with triple lens

part number: A400022

**description:**

LED spotlight for installation in display cases,  
360° rotatable, 180° swivelling,  
with screw base or magnetic base

**housing colour:**

aluminum anodised matte in black, silver, gold, champagne  
(other surface finishing on request)

**optics:**

18°, 25°, 32°, 67°

**light colour (+/- 100K):**

~2,700K, ~3,000K, ~3,500K, ~4,000K, ~5,700K

**high power LED, high CRI DIN EN 55015:2013,**

lifetime 50,000 hours | basis of lifetime L80B10

**protection class:** IP 20, protection class III, CE,

UL Listed No. E506729 - low voltage LED luminaire

**luminous flux (~3,000K | 25° | 500 mA):**

~310lm at ~4.5W (69 lm/W)

**power input:**

500mA (constant current)

**allowed LED driver:**

LED driver for the Micro Jolly, Mini Jolly,  
Maxi Jolly by TCI with constant current  
(other LED driver on request)

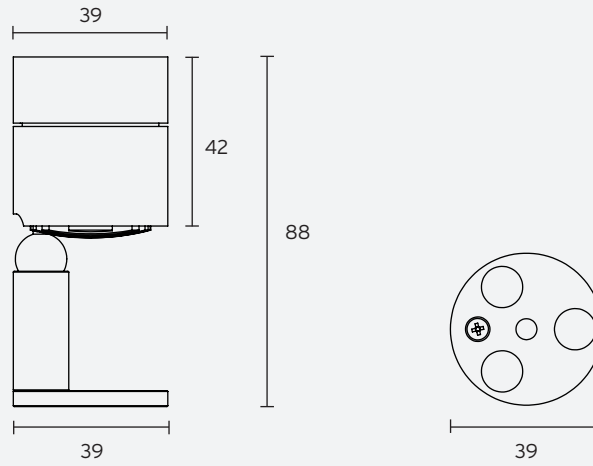
**dimming:**

external via potentiometer (incl.)

**optional accessories:**

honeycomb grid, anti-glare tube, inclined tube,  
snoot (7°),  
light diffusion foil,  
barn doors

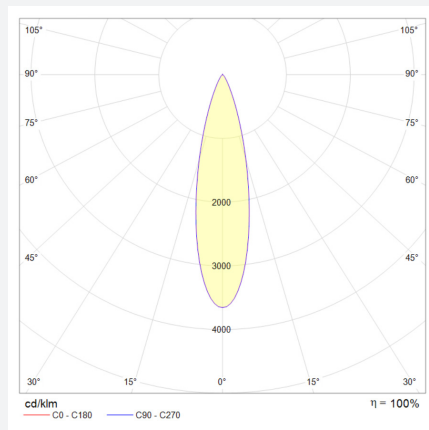
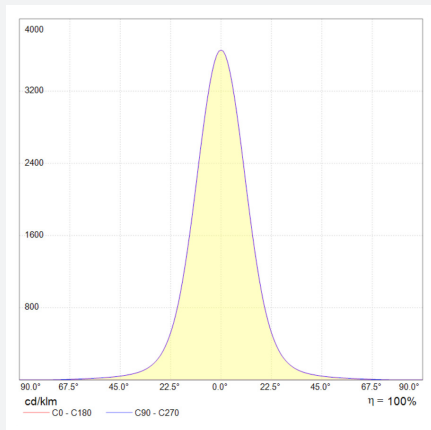
## dimensions



specification in mm

## photometry

for light colour ~3,000K | standard lens 25° | 500 mA | CRI typ. 97, R9 > 90, R12 > 90 | colour variation ≤ 3 SDCM



technical changes reserved | July 2023