



LED spotlight C2-STS with single lens

part number: A400023

description:

LED spotlight for installation on magnetic track,
180° rotatable, 90° swivelling

housing colour:

aluminum anodised matte in black, silver, gold, champagne
(other surface finishing on request)

optics:

14°, 25°, 60°, 40°+ 15°

light colour (+/- 100K):

~2,700K, ~3,000K, ~3,500K, ~4,000K, ~5,700K

high power LED, high CRI DIN EN 55015:2013,

lifetime 50,000 hours | basis of lifetime L80B10

protection class:

IP 20, protection class III, CE,

UL Listed No. E506729 - low voltage LED luminaire

luminous flux (~3,000 K | 25°):

~260 lm at ~4.5 W (58 lm/W)

power input:

12V DC (constant voltage)

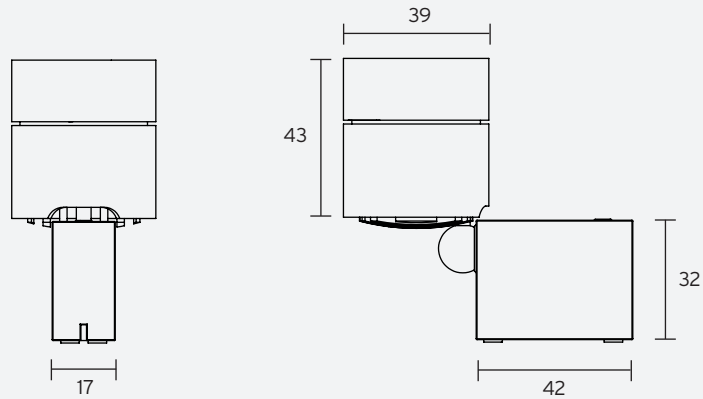
allowed LED driver:

power supply of LPF, NPF or APV series by MeanWell
with constant voltage 12V DC, class 2
(other power supplies on request)

dimming: on board**accessory:** magnetic track**optional accessories:**

magnetic track holders,
honeycomb grid, anti-glare tube, inclined tube,
snoot (7°), light diffusion foil, barn doors

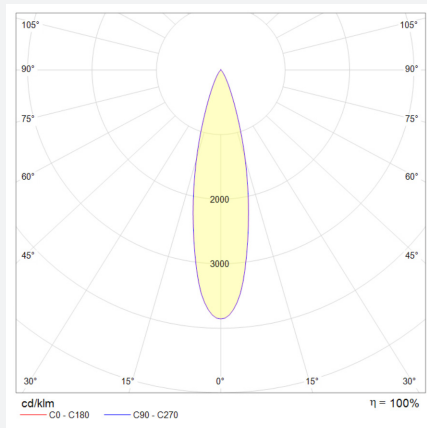
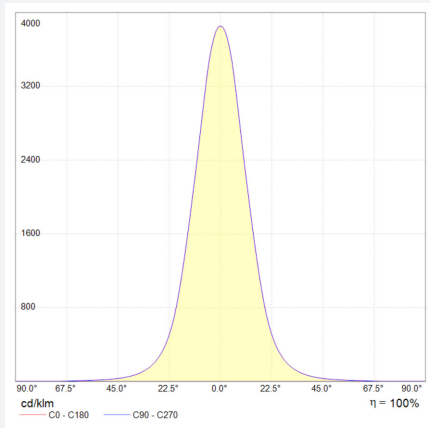
dimensions



specification in mm

photometry

for light colour ~3,000K | standard lens 25° | CRI typ. 97, R9 > 90, R12 > 90 | colour variation ≤ 3 SDCM



Dimming

The LED spotlight is controlled by a microcontroller and can be dimmed individually using a button (1) on the spotlight foot.

Pressing on the dimming button (> 1 sec.) changes the dimming value. Releasing the button stops the dimming process. Pressing it again changes the dimming direction. Your set dimming is automatically saved after approx. 5 - 10 seconds.

The dimming range is flicker-free adjustable from 100% to 10% in 256 steps. The spotlight is set to 100% at initial start-up.



technical changes reserved | July 2023



LED spotlight C2-STS with triple lens

part number: A400024

description:

LED spotlight for installation on magnetic track, 180° rotatable, 90° swivelling

housing colour:

aluminum anodised matte in black, silver, gold, champagne (other surface finishing on request)

optics:

18°, 25°, 32°, 67°

light colour (+/- 100K):

~2,700K, ~3,000K, ~3,500K, ~4,000K, ~5,700K

high power LED, high CRI DIN EN 55015:2013,

lifetime 50,000 hours | basis of lifetime L80B10

protection class:

IP 20, protection class III, CE,

UL Listed No. E506729 - low voltage LED luminaire

luminous flux (~3,000 K | 25°):

~310 lm at ~4.5 W (69 lm/W)

power input:

12V DC (constant voltage)

allowed LED driver:

power supply of LPF, NPF or APV series by MeanWell with constant voltage 12V DC, class 2 (other power supplies on request)

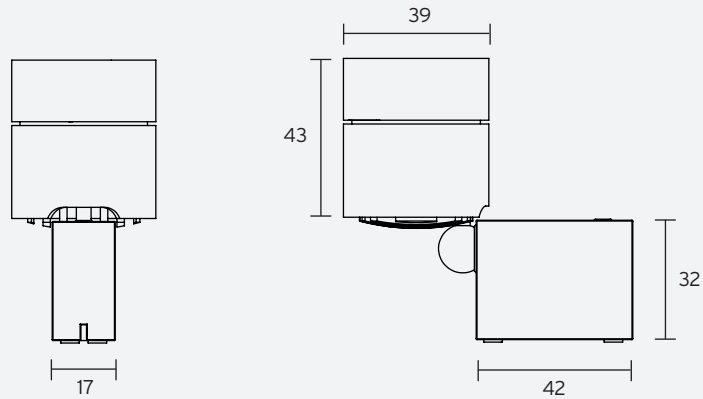
dimming: on board

accessory: magnetic track

optional accessories:

magnetic track holders, honeycomb grid, anti-glare tube, inclined tube, snoot (7°), light diffusion foil, barn doors

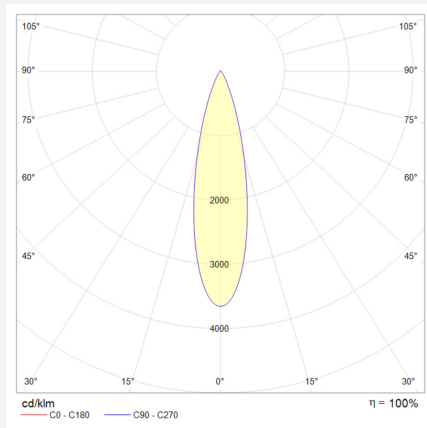
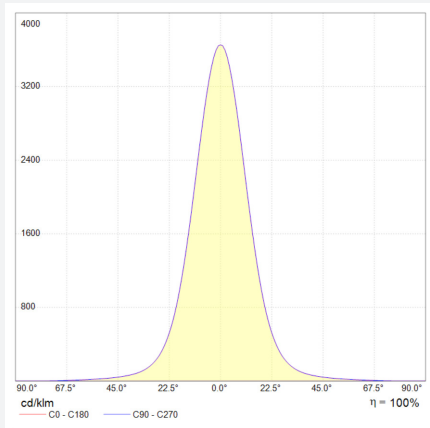
dimensions



specification in mm

photometry

for light colour ~3,000K | standard lens 25° | CRI typ. 97, R9 > 90, R12 > 90 | colour variation ≤ 3 SDCM



Dimming

The LED spotlight is controlled by a microcontroller and can be dimmed individually using a button (1) on the spotlight foot.

Pressing on the dimming button (> 1 sec.) changes the dimming value. Releasing the button stops the dimming process. Pressing it again changes the dimming direction. Your set dimming is automatically saved after approx. 5 - 10 seconds.

The dimming range is flicker-free adjustable from 100% to 10% in 256 steps. The spotlight is set to 100% at initial start-up.



technical changes reserved | July 2023