



LED spotlight C1-mini-LC-VL

part number: A400010

description:

LED spotlight for installation on magnetic track,
360° rotatable, 135° swivelling

housing colour:

aluminum anodised matte in black, silver, gold, champagne
(other surface finishing on request)

optics:

15°, 18°, 26°, 30°, 45°, 80°, 47°+25°, 40°+10°

light colour (+/- 100K):

~2,700K, ~3,000K, ~3,500K, ~4,000K, ~5,700K

high power LED, high CRI DIN EN 55015:2013,

lifetime 50,000 hours | basis of lifetime L80B10

protection class: IP 20, protection class III, CE,

UL Listed No. E506729 - low voltage LED luminaire

luminous flux (~3,000K | 30°):

~60 lm at ~1W (60 lm/W)

power input: 12V DC (constant voltage)

allowed LED driver:

- power supply of PWM series by MeanWell with constant voltage 9 - 12V DC, class 2
- power supply of LPF, NPF or APV series by MeanWell with constant voltage 12V DC, class 2 in combination with dimmer by feno (other power supplies on request)

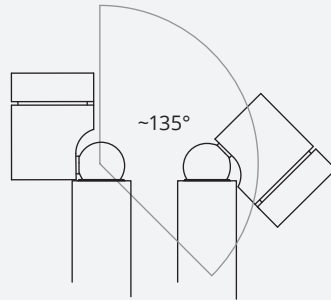
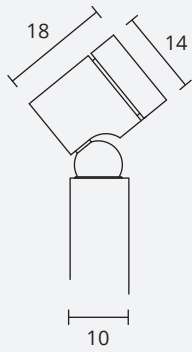
dimming: external via potentiometer (incl.)

accessory: magnetic track

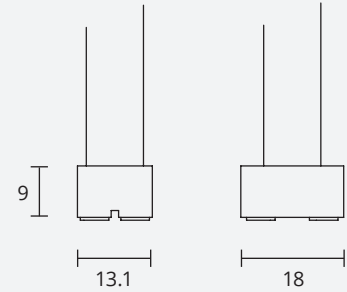
optional accessories:

magnetic track holders, anti-glare tube, honeycomb grid, inclined tube, light diffusion foil, barn doors

dimensions



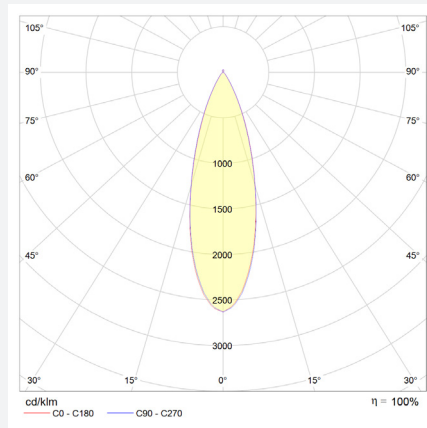
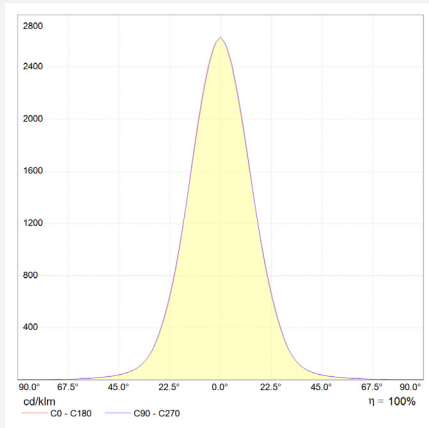
standard tube length
90 mm



specification in mm

photometry

for light colour ~3,000K | standard lens 30° | CRI typ. 97, R9 > 90, R12 > 90 | colour variation ≤ 3 SDCM



technical changes reserved | July 2023