



## LED spotlight C1-USTS

part number: A400019

**description:**

LED spotlight for installation on magnetic track,  
180° rotatable, 90° swivelling

**housing colour:**

aluminum anodised matte in black, silver, gold, champagne  
(other surface finishing on request)

**optics:**

10°, 15°, 20°, 35°, 45°, 80°, 46°+ 10°

**light colour (+/- 100K):**

~2,700K, ~3,000K, ~3,500K, ~4,000K, ~5,700K

high power LED, high CRI DIN EN 55015:2013,  
lifetime 50,000 hours | basis of lifetime L80B10

protection class: IP 20, protection class III, CE,  
UL Listed No. E506729 - low voltage LED luminaire

**luminous flux (~3,000 K | 20°):**

~130lm at ~2,5 W (52 lm/W)

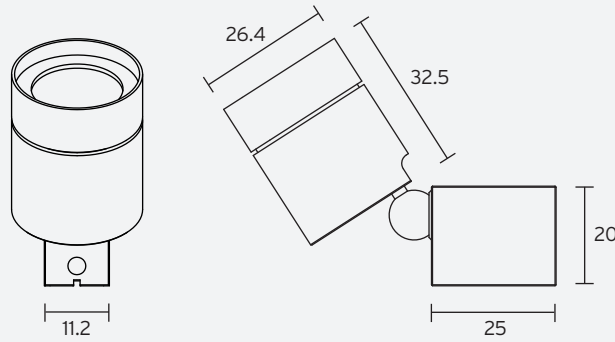
**power input:** 12V DC (constant voltage)**allowed LED driver:**

power supply of LPF, NPF or APV series by MeanWell  
with constant voltage 12V DC, class 2  
in combination with dimmer by feno  
(other power supplies on request)

**dimming:** external**accessory:** magnetic track**optional accessories:**

magnetic track holders,  
honeycomb grid, anti-glare tube, inclined tube,  
light diffusion foil, barn doors,  
zoom optic (2° - 25°, 6° - 36°)

## dimensions



specification in mm

## photometry

for light colour ~3,000K | standard lens 20° | CRI typ. 97, R9 > 90, R12 > 90 | colour variation ≤ 3 SDCM

