



## LED spotlight C1-VL

part number: A400020

**description:**

LED spotlight for installation in display cases,  
360° rotatable, 125° swivelling,  
attachment with mounting flange

**housing colour:**

aluminum anodised matte in black, silver, gold, champagne  
(other surface finishing on request)

**optics:**

10°, 15°, 20°, 35°, 45°, 80°, 46°+ 10°

**light colour (+/- 100K):**

~2,700 K, ~3,000 K, ~3,500 K, ~4,000 K, ~5,700 K

**high power LED, high CRI DIN EN 55015:2013,**

lifetime 50,000 hours | basis of lifetime L80B10

**protection class:** IP 20, protection class III, CE,

UL Listed No. E506729 - low voltage LED luminaire

**luminous flux (~3,000 K | 20° | 500 mA):**

~150 lm at ~2.1W (71 lm/W)

**power input:**

500 mA (constant current)

**allowed LED driver:**

LED driver for the Micro Jolly, Mini Jolly,  
Maxi Jolly by TCI with constant current  
(other LED driver on request)

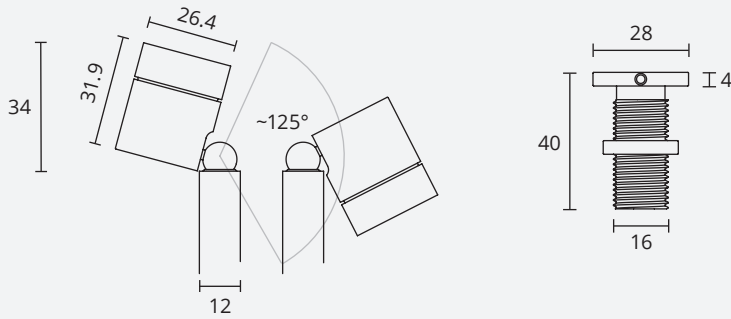
**dimming:**

external via potentiometer (incl.)

**optional accessories:**

honeycomb grid, anti-glare tube, inclined tube,  
light diffusion foil, barn doors,  
zoom optic (2° - 25°, 6° - 36°)

## dimensions

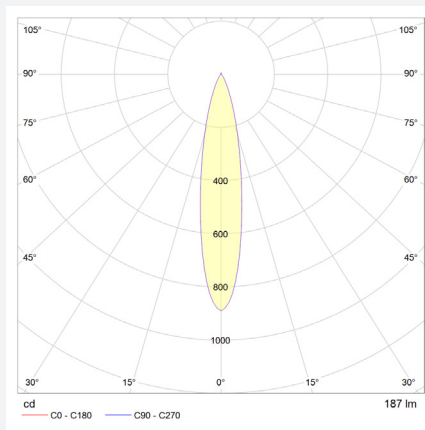
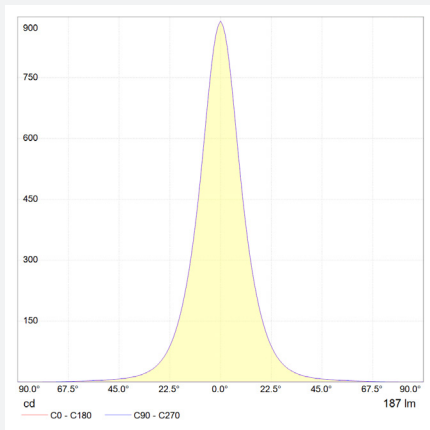


- standard tube length 440 mm (visible length 400 mm)
- minimum tube length 65 mm (visible length 25 mm)
- the length of the tube can be varied using the grub screw on the flange
- possible panel thicknesses 2-23 mm
- borehole  $\varnothing$  17 mm

specification in mm

## photometry

for light colour ~3,000K | standard lens 20° | 500 mA | CRI typ. 97, R9 > 90, R12 > 90 | colour variation  $\leq$  3 SDCM



technical changes reserved | July 2023