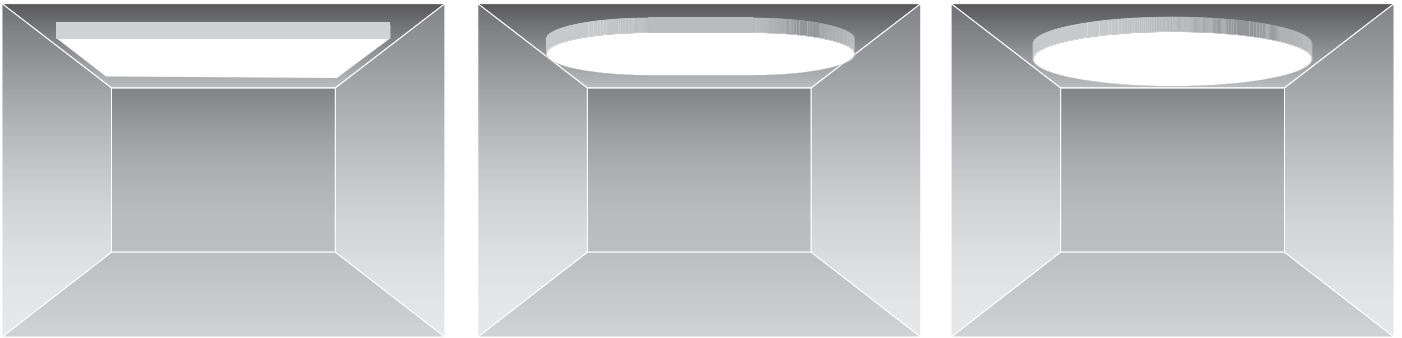




COOLEGE LUMINOUS CEILINGS SPECIALTY ILLUMINATION SOLUTIONS - SURFACE MOUNT: SPECIFICATIONS

PROJECT		REFERENCE TYPE	
SPECIFIED BY		QUANTITY	
DATE		NOTE	Luminous Ceiling

SPECIALTY ILLUMINATION SOLUTIONS - SURFACE MOUNT STANDARD CONFIGURATION



Surface Mounted Solutions blend with the ceiling finish to provide a feeling of openness and volume. Available in rectangular and curved shapes.

GENERAL

Mounting Type	Surface Mount
Surface Material	Woven Fabric (coated)
Frame Material	Extruded Aluminum
Light Source	Cooledge TILE Interior or TILE Tunable White
Dust Ply Included	No (available upon request)
Maximum Seamless Dimensions	15.5ft (4.7m) x 161ft (49m) (WxL)
Frame Height	Rectangular: 4.0 in (100mm) Curved: 5.3 in (135mm)
Bend Radius (Curves)	Minimum 15" (380mm)

SPECIFICATION

- A luminous surface consisting of a lighting system and woven light emitting diffuser mounted to the ceiling surface.
- Cooledge Solutions form a single, uniformly diffuse and seamless light emitting surface; provide a minimum of xx fc (lux) on the horizontal workplane; mount directly to the ceiling surface using an aluminum profile; and are installable in occupied premises, without need for heating devices or water.
- The surface material(s) is of a coated polyester fabric with a fire rating ASTM E 84 Class A /EN:3501-1 Class B or better.
- Light output from the luminous surface is CRI>90; provides flux within 10% of average, and has a color consistency of 2 SDCM over the entire surface.
- Cooledge Solutions are UL Listed, CE Compliant.

FEATURES

- **Low Profile:** Mounts directly to the ceiling surface with a thin profile to create a large scale luminous surface that gives the impression of volume
- **Knife Edge Finish:** A proprietary “infinity edge” design extends the light emitting surface to the outer dimensions without shadows or dark lines (for Rectangle shapes)
- **Curves & Rounds (NEW):** A bendable profile allows curved shapes, rounded corners and circles with radii down to 15” (380mm)
- **Immersive Illumination:** A large luminous surface delivers a surprising amount of illumination without visual discomfort
- **Adaptable:** Choice of tunable white, dim-to-warm, or static color temperature
- **Code Friendly:** Fire-rated polyester fabric and a fully certified lighting system eliminate inspection challenges.

Cooledge Lighting Inc.
110-13551 Commerce Parkway
Richmond, BC V6V 2L1 Canada

O +1 604 273 2665
F +1 604 273 2660
T +1 844 455 4448
W cooledgelighting.com

Cooledge Lighting reserves the right to change materials or modify the design of its product without notification as part of the company's continuing product improvement program.

COOLEEDGE LUMINOUS CEILING SPECIALTY ILLUMINATION SOLUTIONS - SURFACE MOUNT: SPECIFICATIONS

PHOTOMETRICS¹

Distribution	Lambertian
Light Output ² (lm/sqft)	Extra High Flux (XHF): 590 High Flux (HF): 395 Medium Flux (MF): 200 Low Flux (LF): 100
Light Output ² (lm/m ²)	Extra High Flux (XHF): 6390 High Flux (HF): 4260 Medium Flux (MF): 2130 Low Flux (LF): 1065
Correlated Color Temperature (CCT)	2200K, 2700K, 3000K, 3500K, 4000K, 5700K, Tunable White 2700K-5700K Dim-to-Warm 3500K-2200K
Color Rendering Index (CRI)	≥ 90
Color Uniformity	2 SDCM (typical)
Lumen Maintenance ³	L80 = 75,000 hr

¹ Photometric files available from cooledgelighting.com

² Based on a 10'x10' (3m x 3m) area - refer to Specialty Illumination Solutions Size Factors for other sizes

³ Based on LM80 data & TM-21 calculations

Cooledge has conducted extensive testing on the interaction between the light source and the surface materials to deliver the optical and photometric properties of the Solution.

TM-30-15 DATA

CCT	2200K	2700K	3000K	3500K	4000K	5700K	TNW*
Rf	88	91	90	89	86	88	90
Rg	99	99	98	98	96	98	100

For more details about Cooledge Solutions color rendering, please see "Light Quality Metrics" at www.cooledgelighting.com

* = Tunable White @50% point in the tunable range 2700K - 5700K

POWER

Flux Category	Light Output (lm/sqft)	Light Output (lm/m ²)	CCT	Power (W/sqft)	Power (W/m ²)
Extra High Flux (XHF)	590	6390	2200K	n/a	n/a
			2700K	9.9	93.6
			3000K	9.5	89.8
			3500K	9.3	88.2
			4000K	9.1	86.6
			5700K	8.4	79.1
High Flux (HF)	345	3710	2200K	7.4	79.5
			2700K	6.7	71.8
			3000K	6.2	66.5
			3500K	6.0	64.5
			4000K	5.9	63.0
			5700K	6.0	63.0
Medium Flux (MF)	175	1860	2200K	3.5	37.9
			2700K	3.3	36.0
			3000K	3.0	32.4
			3500K	3.0	32.4
			4000K	2.8	30.3
			5700K	2.9	31.2
Low Flux (LF)	85	940	2200K	1.7	17.9
			2700K	1.6	17.4
			3000K	1.4	15.3
			3500K	1.4	15.3
			4000K	1.4	15.3
			5700K	1.4	15.3

CERTIFICATIONS



RoHS

INSTALLATION

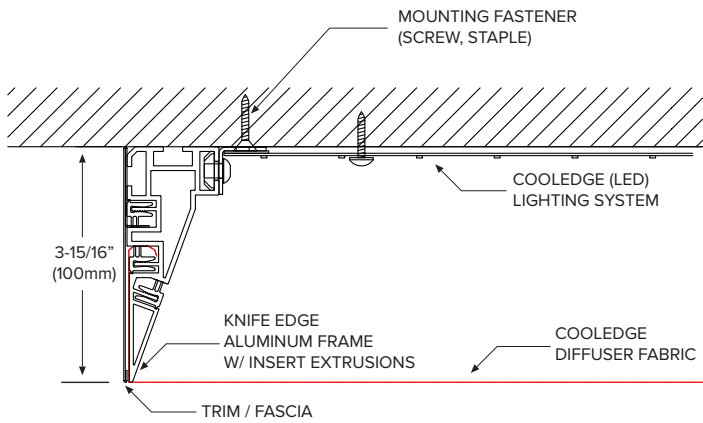
Installation of Cooledge Specialty Illumination Solutions must be done by a Cooledge recommended installer.

WARRANTY

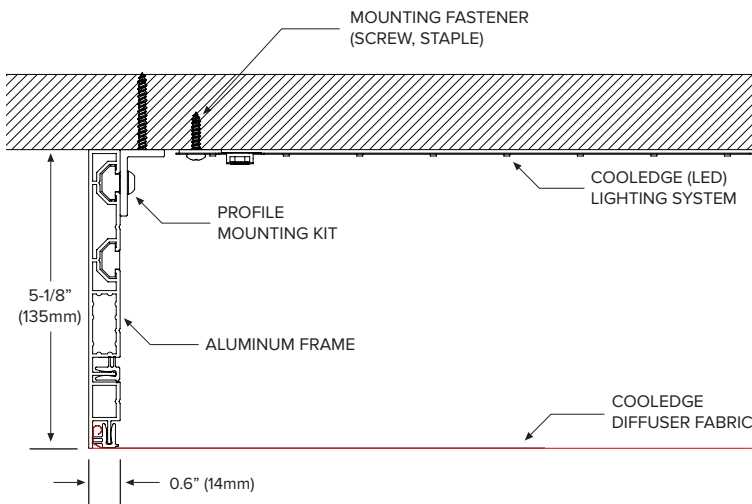
Refer to Cooledge Terms and Conditions for full warranty details.

COOLEGE LUMINOUS CEILINGS SPECIALTY ILLUMINATION SOLUTIONS - SURFACE MOUNT: SPECIFICATIONS

MECHANICAL DETAILS



X-Section - Rectangles



X-Section - Curves

Cooledge Specialty Illumination Solutions include the illumination source, frame, mounting hardware, diffuser fabric, and installation of all non-electrical components

GENERAL

Location	Indoor, dry location only
Operating Temp. Range	0-40°C (32-104°F)
Storage Temp. Range	-40-85°C (-40-185°F)
Relative Humidity	90% max (non-condensing)
Fire Spread	ASTM E84: Class A (FSI = 0-25); EN13501-1: Class B – s1,d0;

COOLEDGE LUMINOUS CEILINGS

SPECIALTY ILLUMINATION SOLUTIONS - SURFACE MOUNT: SPECIFICATIONS

POWER AND CONTROL

Specialty Illumination Solutions include all mechanical, electrical, and lighting components required including power supplies and Cooledge Control Modules selected from the options listed below.

Specifications for the power supplies and Cooledge Control Modules shown below are available in:

- Power and Control Specifications (cUL Listed)
- Power and Control Specifications (CE Compliant)

POWER SUPPLIES (58V) - cUL Listed

Order Code	# Controller Channels *	Enclosure
EPSS-090-1CH-58V-010	1	Yes
EPSS-200-58V	2	Yes
EPSS-400-58V	4	Yes

*Class 2 (max 90W) output

COOLEDGE CONTROL MODULES (58V) - Static CCT

Order Code	Protocols
CTR-SCT-DAL-58V	0-10V, DALI
CTR-SCT-DMX-58V	DMX
CTR-SCT-CAS-58V	Casambi (wireless)

POWER SUPPLIES (58V) - CE Compliant

Order Code	# Controller Channels*	Enclosure
PSS-100-58V	1	No
PSS-200-58V	2	No
PSS-400-58V	4	No

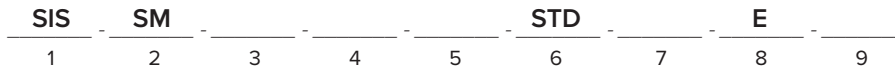
*Class 2 (max 90W) output

COOLEDGE CONTROL MODULES (58V) - TUNABLE WHITE

Order Code	Function	Protocols
CTR-TNW-DAL-58V	Tunable White	0-10V, DALI
CTR-TNW-DMX-58V	Tunable White	DMX
CTR-TNW-CAS-58V	Tunable White	Casambi (Wireless)
CTR-DTW-DAL-58V	Dim-to-Warm	0-10V, DALI
CTR-DTW-DMX-58V	Dim-to-Warm	DMX
CTR-DTW-CAS-58V	Dim-to-Warm	Casambi (Wireless)

HOW TO SPECIFY

NOTE: By their nature, Cooledge Specialty Illumination Solutions are custom products. These **Specification Codes** are provided for use as simple references to Cooledge Specialty Illumination Solutions in specifications and/or construction documents. Specification Codes are **NOT** ordering codes. In order to receive quotations or purchase these products from Cooledge, the solution dimensions are required. Cooledge may also request additional information before issuing a quotation or accepting a purchase order.



- | | | | | | | | | |
|---|---|---|--|--|-------------------------------------|---|---|---|
| 1 PRODUCT
SIS = Specialty Illumination Solution | 2 TYPE
SU = Suspended
SM = Surface Mount
FM = Flush Mount | 3 SHAPE
R = Rectangle
C = Curve/Circle | 4 FLUX
XHF = Extra High Flux
HF = High Flux
MF = Med Flux
LF = Low Flux | 5 CCT
27 = 2700K
30 = 3000K
35 = 3500K
40 = 4000K
57 = 5700K
TNW = Tunable White
DTW = Dim To Warm | 6 MOUNTING
STD = Standard | 7 CONTROL
DAL = DALI/0-10V
DMX = DMX
CAS = Casambi (Wireless) | 8 NRC
E = 0.2
C = 0.75
(Suspended only) | 9 CERTIFICATION
U = cUL
C = CE |
|---|---|---|--|--|-------------------------------------|---|---|---|