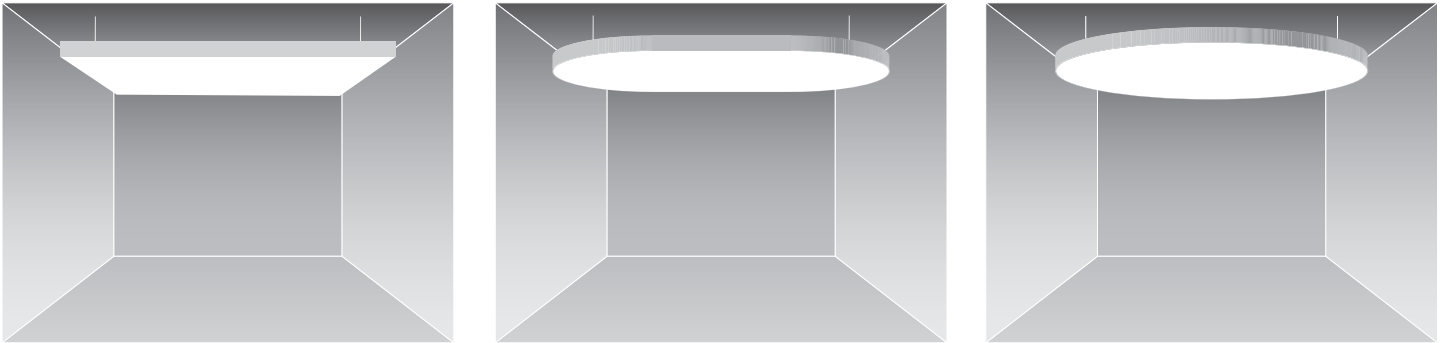




COOLEGE LUMINOUS CEILINGS SPECIALTY ILLUMINATION SOLUTIONS - SUSPENDED: SPECIFICATIONS

PROJECT		REFERENCE TYPE	
SPECIFIED BY		QUANTITY	
DATE		NOTE	Luminous Ceiling

SPECIALTY ILLUMINATION SOLUTIONS - SUSPENDED STANDARD CONFIGURATION



Large area luminaires that are ideal for open plan spaces with higher ceilings or exposed elements. Option for additional sound absorption allows lighting and acoustic performance to be combined into a single solution.

GENERAL

Mounting Type	Suspended
Surface Material	Woven Fabric (coated)
Frame Material	Extruded Aluminum
Light Source	Cooledge TILE Interior or TILE Tunable White
Dust Ply Included	No (available upon request)
Maximum Seamless Dimensions	15.5ft (4.7m) x 161ft (49m) (WxL)
Frame Height	Rectangular: 5.2 in (133mm) Curved: 5.3 in (135 mm)
Average Weight	10' x 10' = 1.2lb/sqft (3m x 3m = 5.9 kg/m ²)
Bend Radius (Curves)	Minimum 15" (380mm)

SPECIFICATION

- A luminous surface consisting of a lighting system and woven light emitting diffuser suspended from the ceiling structure.
- Cooledge Solutions form a single, uniformly diffuse and seamless light emitting surface; provide a minimum of xx fc (lux) on the horizontal workplane; and are installable in occupied premises, without need for heating devices or water.
- The surface material(s) is composed of coated polyester fabric with a fire rating ASTM E 84 Class A /EN:3501-1 Class B or better.
- Light output from the luminous surface is CRI>90; provides flux within 10% of average, and has a color consistency of 2 SDCM over the entire surface.
- Cooledge Solutions are UL Listed, CE Compliant.

FEATURES

- **Wide Area Coverage:** Large scale luminous surfaces suspended with cable or rods bring the feeling of natural light in a more traditional form
- **Knife Edge Finish:** A proprietary “infinity edge” design extends the light emitting surface to the outer dimensions without shadows or dark lines (for Rectangle shapes)
- **Curves & Rounds (NEW):** A bendable profile allows curved shapes, rounded corners and circles with radii down to 15” (380mm)
- **Immersive Illumination:** A large luminous surface delivers a surprising amount of illumination without visual discomfort
- **Adaptable:** Choice of tunable white, dim-to-warm, or static color temperature
- **Code Friendly:** Fire-rated polyester fabric and a fully certified lighting system eliminate inspection challenges.
- **Optional increased sound absorption** eliminates the need for acoustic baffles or clouds in open plan spaces.

Cooledge Lighting Inc.
110-13551 Commerce Parkway
Richmond, BC V6V 2L1 Canada

O +1 604 273 2665
F +1 604 273 2660
T +1 844 455 4448
W cooledgelighting.com

Cooledge Lighting reserves the right to change materials or modify the design of its product without notification as part of the company's continuing product improvement program.

COOLEdge LUMINOUS CEILING SPECIALTY ILLUMINATION SOLUTIONS - SUSPENDED: SPECIFICATIONS

PHOTOMETRICS¹

Distribution	Lambertian
Light Output ² (lm/sqft)	Extra High Flux (XHF): 590 High Flux (HF): 395 Medium Flux (MF): 200 Low Flux (LF): 100
Light Output ² (lm/m ²)	Extra High Flux (XHF): 6390 High Flux (HF): 4260 Medium Flux (MF): 2130 Low Flux (LF): 1065
Correlated Color Temperature (CCT)	2200K, 2700K, 3000K, 3500K, 4000K, 5700K, Tunable White 2700K-5700K Dim-to-Warm 3500K-2200K
Color Rendering Index (CRI)	≥ 90
Color Uniformity	2 SDCM (typical)
Lumen Maintenance ³	L80 = 75,000 hr

¹ Photometric files available from cooledgelighting.com

² Based on a 10'x10' (3mx3m) area - refer to Specialty Illumination Solutions Size Factors for other sizes

³ Based on LM80 data & TM-21 calculations

POWER

Flux Category	Light Output (lm/sqft)	Light Output (lm/m ²)	CCT	Power (W/sqft)	Power (W/m ²)
Extra High Flux (XHF)	590	6390	2200K	n/a	n/a
			2700K	9.9	93.6
			3000K	9.5	89.8
			3500K	9.3	88.2
			4000K	9.1	86.6
			5700K	8.4	79.1
High Flux (HF)	345	3710	2200K	7.4	79.5
			2700K	6.7	71.8
			3000K	6.2	66.5
			3500K	6.0	64.5
			4000K	5.9	63.0
			5700K	6.0	63.0
Medium Flux (MF)	175	1860	2200K	3.5	37.9
			2700K	3.3	36.0
			3000K	3.0	32.4
			3500K	3.0	32.4
			4000K	2.8	30.3
			5700K	2.9	31.2
Low Flux (LF)	85	940	2200K	1.7	17.9
			2700K	1.6	17.4
			3000K	1.4	15.3
			3500K	1.4	15.3
			4000K	1.4	15.3
			5700K	1.4	15.3

Cooledge has conducted extensive testing on the interaction between the light source and the surface materials to deliver the optical and photometric properties of the Solution.

TM-30-15 DATA

CCT	2200K	2700K	3000K	3500K	4000K	5700K	TNW*
Rf	88	91	90	89	86	88	90
Rg	99	99	98	98	96	98	100

For more details about Cooledge Solutions color rendering, please see "Light Quality Metrics" at www.cooledgelighting.com

* = Tunable White @50% point in the tunable range 2700K - 5700K

CERTIFICATIONS



RoHS

INSTALLATION

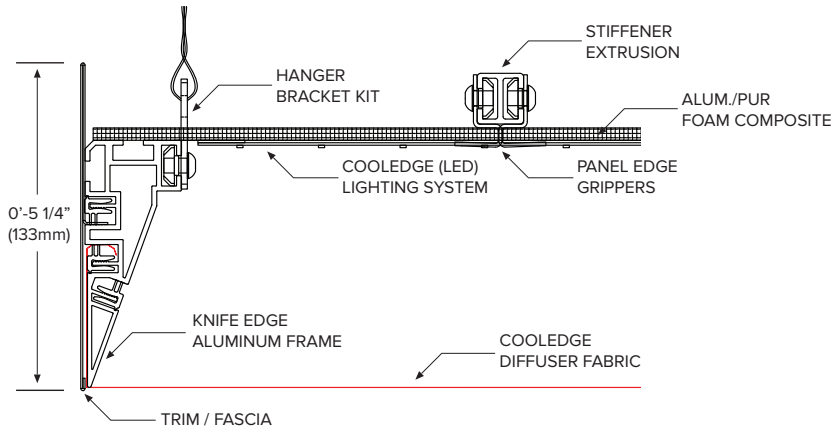
Installation of Cooledge Specialty Illumination Solutions must be done by a Cooledge recommended installer.

WARRANTY

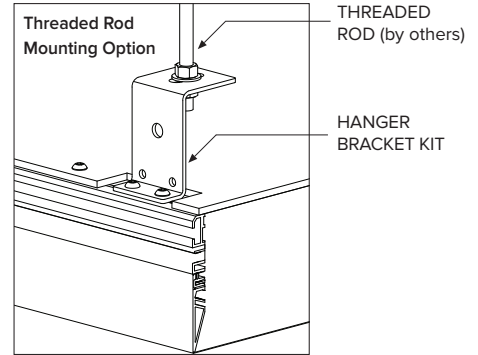
Refer to Cooledge Terms and Conditions for full warranty details.

COOLEGE LUMINOUS CEILINGS SPECIALTY ILLUMINATION SOLUTIONS - SUSPENDED: SPECIFICATIONS

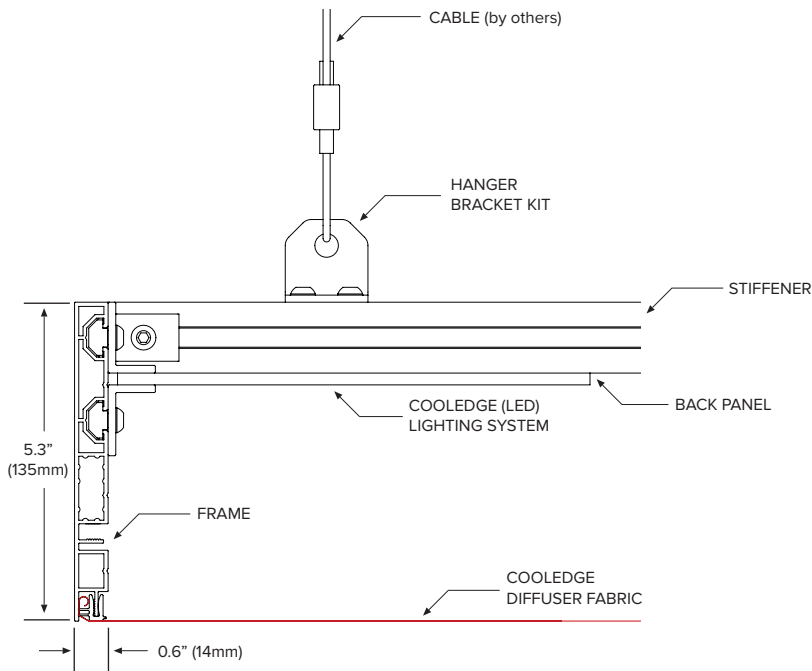
MECHANICAL DETAILS



X-Section - Rectangles



Cooledge Specialty Illumination Solutions include the illumination source, frame, mounting hardware, diffuser fabric, and installation of all non-electrical components



X-Section - Curves

GENERAL

Location	Indoor, dry location only
Operating Temp. Range	0-40°C (32-104°F)
Storage Temp. Range	-40-85°C (-40-185°F)
Relative Humidity	90% max (non-condensing)
Fire Spread	ASTM E84: Class A (FSI = 0-25); EN13501-1: Class B – s1,d0;

COOLEGE LUMINOUS CEILINGS

SPECIALTY ILLUMINATION SOLUTIONS - SUSPENDED: SPECIFICATIONS

POWER AND CONTROL

Specialty Illumination Solutions include all mechanical, electrical, and lighting components required including power supplies and Cooledge Control Modules selected from the options listed below.

Specifications for the power supplies and Cooledge Control Modules shown below are available in the following documents:

- Power and Control Specifications (cUL Listed)
- Power and Control Specifications (CE Compliant)

POWER SUPPLIES (58V) - cUL Listed

Order Code	# Controller Channels *	Enclosure
EPSD-090-1CH-58V-010	1	Yes
EPSS-200-58V	2	Yes
EPSS-400-58V	4	Yes

*Class 2 (max 90W) output

POWER SUPPLIES (58V) - CE Compliant

Order Code	# Controller Channels*	Enclosure
PSS-100-58V	1	No
PSS-200-58V	2	No
PSS-400-58V	4	No

*Class 2 (max 90W) output

COOLEGE CONTROL MODULES (58V) - Static CCT

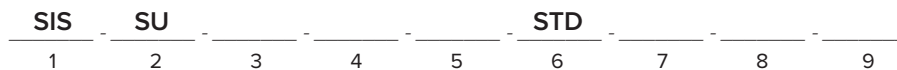
Order Code	Protocols
CTR-SCT-DAL-58V	0-10V, DALI
CTR-SCT-DMX-58V	DMX
CTR-SCT-CAS-58V	Casambi (wireless)

COOLEGE CONTROL MODULES (58V) - TUNABLE WHITE

Order Code	Function	Protocols
CTR-TNW-DAL-58V	Tunable White	0-10V, DALI
CTR-TNW-DMX-58V	Tunable White	DMX
CTR-TNW-CAS-58V	Tunable White	Casambi (Wireless)
CTR-DTW-DAL-58V	Dim-to-Warm	0-10V, DALI
CTR-DTW-DMX-58V	Dim-to-Warm	DMX
CTR-DTW-CAS-58V	Dim-to-Warm	Casambi (Wireless)

HOW TO SPECIFY

NOTE: By their nature, Cooledge Specialty Illumination Solutions are custom products. These **Specification Codes** are provided for use as simple references to Cooledge Specialty Illumination Solutions in specifications and/or construction documents. Specification Codes are **NOT** ordering codes. In order to receive quotations or purchase these products from Cooledge, the solution dimensions are required. Cooledge may also request additional information before issuing a quotation or accepting a purchase order.



1 PRODUCT SIS = Specialty Illumination Solution	2 TYPE SU = Suspended SM = Surface Mount FM = Flush Mount	3 SHAPE R = Rectangle C = Curve/Circle	4 FLUX XHF = Extra High Flux HF = High Flux MF = Med Flux LF = Low Flux	5 CCT 27 = 2700K 30 = 3000K 35 = 3500K 40 = 4000K 57 = 5700K TNW = Tunable White DTW = Dim To Warm	6 MOUNTING STD = Standard	7 CONTROL DAL = DALI/0-10V DMX = DMX CAS = Casambi (Wireless)	8 NRC E = 0.2 C = 0.75 (Suspended only)	9 CERTIFICATION U = cUL C = CE
---	---	---	--	--	-------------------------------------	---	---	---