

TILA S

Elegant and Scalable Light Column Family

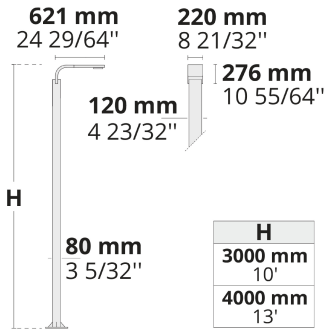


Unique design, flexible optics, and modular structure make TILA family stand out for contemporary architectural projects.

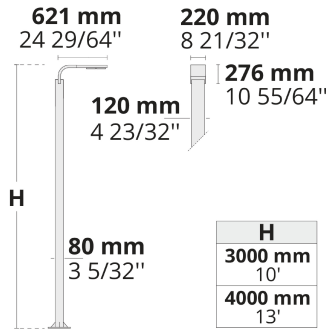
- Equipped with HEPER's patented Milestone EVO (ML EVO) or AreaFlex (AFX) module
- Minimized glare with hidden light source (ML)
- Flexible light distribution options from Type I through Type V (AFX)
- Indirect lighting with reflector technology (ML)
- Uniform lighting distribution through multifaceted reflectors (ML)
- Superior thermal management with upward aligned LED chips (ML)
- Easy installation and maintenance with modular structure

Product code	Product name	Light distribution	Delivered lumens flux	Rated input power	Colour temperature	Control	Weight
LL2030.681-EN	TILA S ML EVO 1 Module	[T2] 130x85°	2909 - 3678 lm	35 W	2700 K CRI 80, 3000 K CRI 80, 4000 K CRI 70, 4000 K CRI 80	On/Off	19.62 kg (3 m), 22.76 kg (4 m)
LL2030.682-EN	TILA S ML EVO 2 Module	[T2] 130x85°	5819 - 7357 lm	70 W	2700 K CRI 80, 3000 K CRI 80, 4000 K CRI 70, 4000 K CRI 80	On/Off	20.32 kg (3 m), 23.46 kg (4 m)
LL2030.683-EN	TILA S ML EVO 3 Module	[T2] 130x85°	8733 - 11036 lm	104 W	2700 K CRI 80, 3000 K CRI 80, 4000 K CRI 70, 4000 K CRI 80	On/Off	27.62 kg (5 m), 30.77 kg (6 m)
LL2030.861-EN	TILA S AFX 1 Module	[P4] 20x78°, [T1] 111x48°, [T2] 133x48°, [T2-2] 149x54°, [T3] 143x63°, [T4] 117x64°, [T5] 117°	1975 - 4540 lm	18 - 35 W	2700 K CRI 80, 3000 K CRI 80, 4000 K CRI 70, 4000 K CRI 80	On/Off	19.42 kg (3 m), 22.66 kg (4 m)
LL2030.862-EN	TILA S AFX 2 Module	[P4] 20x78°, [T1] 111x48°, [T2] 133x48°, [T2-2] 149x54°, [T3] 143x63°, [T4] 117x64°, [T5] 117°	3785 - 9085 lm	34 - 67 W	2700 K CRI 80, 3000 K CRI 80, 4000 K CRI 70, 4000 K CRI 80	On/Off	20.02 kg (3 m), 23.26 kg (4 m)
LL2030.863-EN	TILA S AFX 3 Module	[P4] 20x78°, [T1] 111x48°, [T2] 133x48°, [T2-2] 149x54°, [T3] 143x63°, [T4] 117x64°, [T5] 117°	5675 - 13800 lm	50 - 100 W	2700 K CRI 80, 3000 K CRI 80, 4000 K CRI 70, 4000 K CRI 80	On/Off	27.42 kg (5 m), 30.57 kg (6 m)

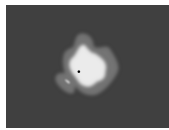
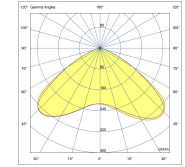
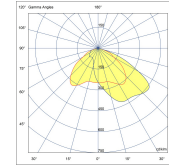
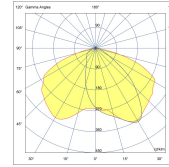
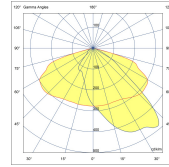
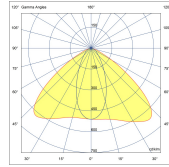
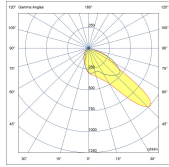
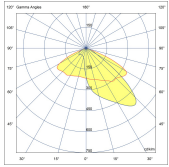
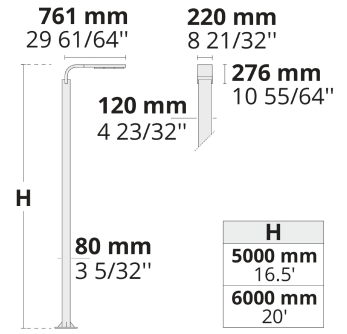
LL2030.681 / LL2030.861



LL2030.682 / LL2030.862



LL2030.683 / LL2030.863



[T2]

Type II,
Asymmetric,
Side throw

[P4]

Special
pedestrian road
distribution-right
side traffic

[T1]

Type I,
Asymmetric,
Side throw

[T2-2]

Type II,
Asymmetric,
Side throw

[T3]

Type III,
Asymmetric,
Side throw

[T4]

Type IV,
Asymmetric,
Forward throw

[T5]

Type V,
Symmetric

Extras

Consult the factory

Luminaire body options

120-277V
50/60Hz

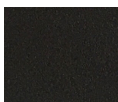
DPC

UNI

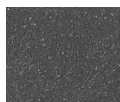
120-277V 50/60Hz

DPC

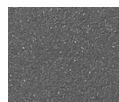
Double powder
coating



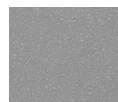
[HM1]
Black



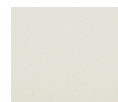
[HM2]
Dark grey



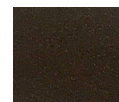
[HM3]
Anthracite
grey



[HM4]
Light grey



[HM5]
White



[HM6]
Bronze



[CC]
Custom
colour
(Please
specify
RAL
code)