

POLSO

Elegant and Sturdy Light Column Family

CE UK CA IK05 IP65 

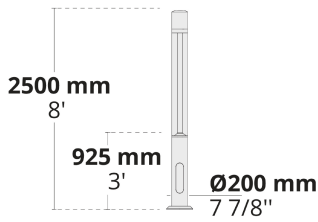


With its round frame, matching bollard options, and three-way light distribution POLSO family is a reliable choice for contemporary architectural projects.

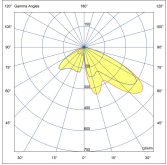
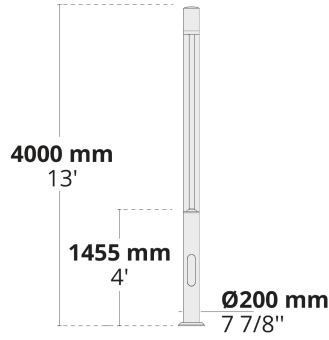
- Equipped with LED light source
- Minimized glare with recessed light source
- Three-way light distribution to illuminate areas and pathways while adding a unique effect
- Different height options and matching bollard to complement high-end architectural projects
- Minimalistic design to blend in with different types of architecture

Product code	Product name	Light distribution	Delivered lumens flux	Rated input power	Colour temperature	Control	Weight
LB6052.509-EN	POLSO	[SYM-3L] 38x117°	872 - 1900 lm	15 - 29 W	2700 K CRI 80, 3000 K CRI 80, 4000 K CRI 70, 4000 K CRI 80	On/Off, DALI, AutoDIM, StepDIM	30.8 kg
LB6053.509-EN	POLSO L	[SYM-3L] 38x117°	1569 - 2600 lm	29 - 42 W	2700 K CRI 80, 3000 K CRI 80, 4000 K CRI 70, 4000 K CRI 80	On/Off, DALI, AutoDIM, StepDIM	40.6 kg

LB6052.509



LB6053.509



[SYM-3L]
Symmetric,
Special effect: 3
lines

Extras

Consult the factory

Luminaire body options

120-277V
50/60Hz

DPC

UNI

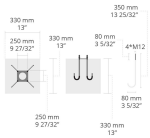
120-277V 50/60Hz

DPC

Double powder
coating

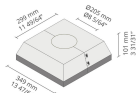
Accessories (To be ordered separately)

Anchorage



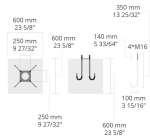
90CJ001
90CJ001

Flange covers (Circular pole)



C1J2K
C1J2K

Anchorage



90CJ003
90CJ003

HPR Pazarlama A.Ş.
Başkent OSB 22. Cd. No: 2, Malıköy, Temelli,
Sincan, 06909 Ankara, Turkey
+90 312 267 54 30
info@hepergroup.com

HEPER Europe GmbH
Ahornweg 5a, 58675
Hemer, Germany
+49 237 2901 2975
infoEU@hepergroup.com

We reserve the right to change specifications
without prior written notice. Edition: 12.01.2024.
For current version visit heperlighting.com. All
flux (±%7 tolerance) and power values (±%10
tolerance) are derived following appropriate IES,
CIE, and applicable standards.

