

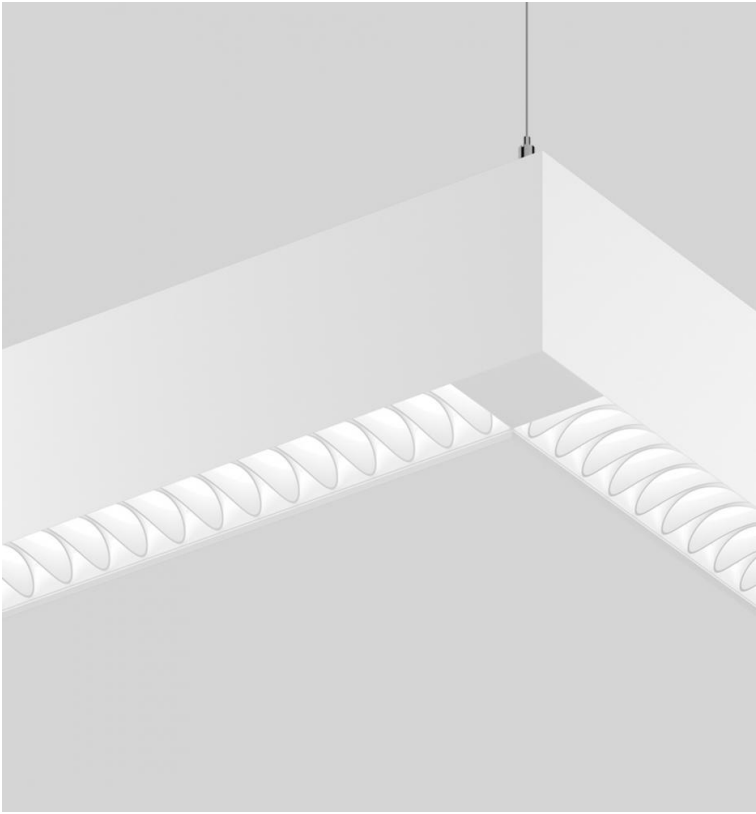
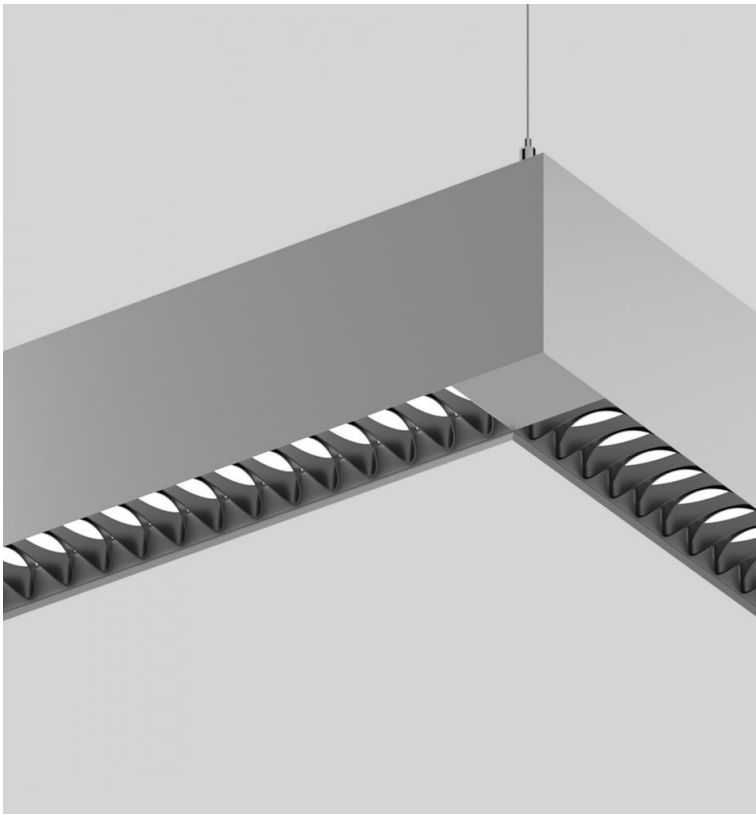
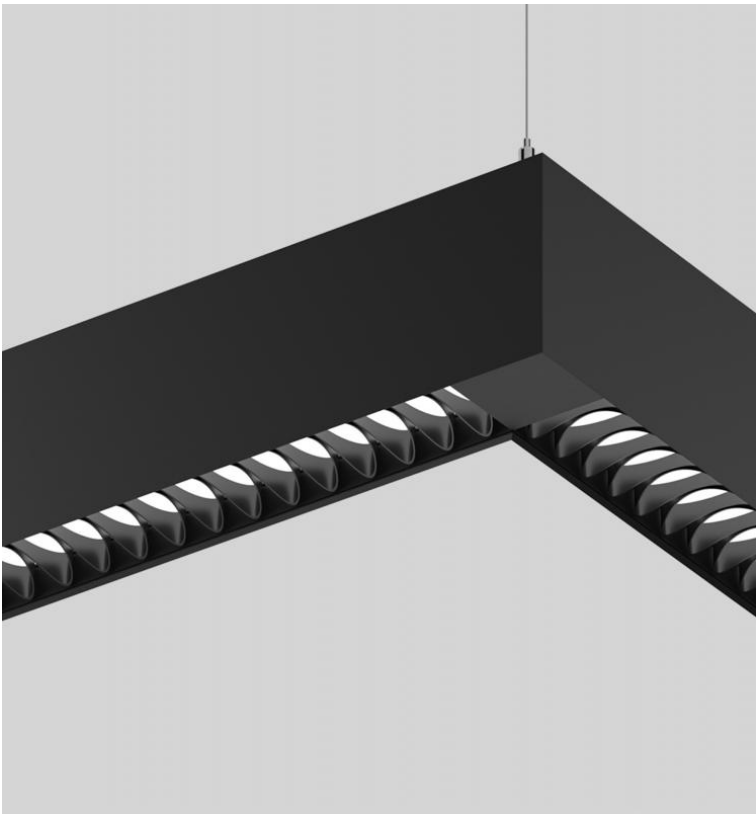
Project Name:

Fixture Type:

Fixture Code:

Quantities:





0000H dazzles up traditional linear lighting concepts with an innovative louver system. An array of ellipses is incurved to conform to a tunnel-shaped profile creating a subtle aesthetic and sublime lighting effect. The louver system not only tempers the starkness of the commonly exposed diffuser and adds an enchanting decorative feature, but also offers visual comfort by minimizing glare. The injection-molded louvers come in 5 finishes: Black for the highest glare control, White for higher reflectance and performance, and for an interior design enhancement, satinized finishes Satin Chrome, Satin Gold, and Satin Champagne. Build a continuous lighting plan with the new Systems option.

GENERAL SPECIFICATION

Body

Aluminum.

Suspension

Steel cables.

PoE

Can be integrated into your data network via Power over Ethernet (PoE) connectivity.

Drivers

HPF electronic drivers for 120-277V, 347V (EU-240V).

Reported L70 @25°C (77°F)

> 60,000 hrs @ 2000 lumens/ft (6000 lumens/m)

Delivered lumens

Delivered lumens & LPW based on 4000K CRI 80+

Integral Emergency system

Emergency option provides a 1.5 hour (3 hours for EU) emergency lighting facility. The self contained system includes the inverter module, NiCad batteries, LED charge indicator and test switch (NA only). Not available with a 347V supply.

Design

US Pat. No. D969,395.

Finish

Powder coated

Power cable

Silver braided.

BIOS

For circadian lighting, consult factory.

Diffuser

Opal acrylic.

Estimated L70 @25°C (77°F)

> 165,000 hrs @ 2000 lumens/ft (6000 lumens/m)

Mechanical

Luminaires mount directly over J box (by others).

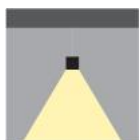
Approvals

Damp Location (Indoor use only).

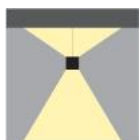
Designed by

Serge Cornelissen.

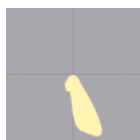
MOUNTING & OPTICS



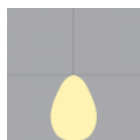
Suspended Direct



Suspended Direct/Indirect



Direct DD1



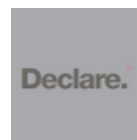
Direct DD4



Indirect



Bios



Declare



PoE

HOW TO ORDER

A. CHOOSE A MODULE

Make a selection from one of the following 7 sections. One power cord for every 50 linear feet. Connection parts for each section are shipped separately for on site assembly. Project drawings are not required for this product.

STRAIGHT SECTION 2FT

HL1PSL02 2ft middle section Direct	HL1PSM02 2ft middle section with power cord Direct	HL1PSN02 2ft section with end cap Direct	HL1PSP02 2ft section with end cap and power cord Direct
---	---	---	--

Available as Direct only.

STRAIGHT SECTION 4FT

HL1PSL04 4ft middle section Direct	HL1PSM04 4ft middle section with power cord Direct	HL1PSN04 4ft section with end cap Direct	HL1PSP04 4ft section with end cap and power cord Direct
HL2PSL04 4ft middle section Direct/Indirect	HL2PSM04 4ft middle section with power cord Direct/Indirect	HL2PSN04 4ft section with end cap Direct/Indirect	HL2PSP04 4ft section with end cap and power cord Direct/Indirect

STRAIGHT SECTION 6FT

HL1PSL06 6ft middle section Direct	HL1PSM06 6ft middle section with power cord Direct	HL1PSN06 6ft section with end cap Direct	HL1PSP06 6ft section with end cap and power cord Direct
HL2PSL06 6ft middle section Direct/Indirect	HL2PSM06 6ft middle section with power cord Direct/Indirect	HL2PSN06 6ft section with end cap Direct/Indirect	HL2PSP06 6ft section with end cap and power cord Direct/Indirect

STRAIGHT SECTION 8FT

HL1PSL08 8ft middle section Direct	HL1PSM08 8ft middle section with power cord Direct	HL1PSN08 8ft section with end cap Direct	HL1PSP08 8ft section with end cap and power cord Direct
HL2PSL08 8ft middle section Direct/Indirect	HL2PSM08 8ft middle section with power cord Direct/Indirect	HL2PSN08 8ft section with end cap Direct/Indirect	HL2PSP08 8ft section with end cap and power cord Direct/Indirect

STRAIGHT SECTION 10FT

HL1PSL10 10ft middle section Direct	HL1PSM10 10ft middle section with power cord Direct	HL1PSN10 10ft section with end cap Direct	HL1PSP10 10ft section with end cap and power cord Direct
HL2PSL10 10ft middle section Direct/Indirect	HL2PSM10 10ft middle section with power cord Direct/Indirect	HL2PSN10 10ft section with end cap Direct/Indirect	HL2PSP10 10ft section with end cap and power cord Direct/Indirect

STRAIGHT SECTION 12FT

HL1PSL12 12ft middle section Direct	HL1PSM12 12ft middle section with power cord Direct	HL1PSN12 12ft section with end cap Direct	HL1PSP12 12ft section with end cap and power cord Direct
HL2PSL12 12ft middle section Direct/Indirect	HL2PSM12 12ft middle section with power cord Direct/Indirect	HL2PSN12 12ft section with end cap Direct/Indirect	HL2PSP12 12ft section with end cap and power cord Direct/Indirect

CORNER SECTION (27"X27" L SHAPE)

HL1PSL01 Corner with no end caps Direct	HL1PSM01 Corner middle with power cord Direct	HL1PSN01 Corner with Left end cap Direct	HL1PSN03 Corner with Right end cap Direct
HL1PSP01 Corner with Left end cap and power cord Direct	HL1PSP03 Corner with Right end cap and power cord Direct	HL2PSL01 Corner with no end caps Direct/Indirect	HL2PSM01 Corner middle with power cord Direct/Indirect
HL2PSN01 Corner with Left end cap Direct/Indirect	HL2PSN03 Corner with Right end cap Direct/Indirect	HL2PSP01 Corner with Left end cap and power cord Direct/Indirect	HL2PSP03 Corner with Right end cap and power cord Direct/Indirect

B. LOUVER

LV2 Black	LV3 White	LV4 Satin Chrome	LV6 Satin Gold
LV9 Satin Champagne			

C. LM/FT (DIRECT)

LPF020 200 lm/ft	LPF030 300 lm/ft	LPF040 400 lm/ft	LPF050 500 lm/ft
LPF060 600 lm/ft	LPF070 700 lm/ft	LPF080 800 lm/ft	LPF100 1000 lm/ft
LPF120 1200 lm/ft	LPF130 1300 lm/ft		

Lumens/ft are determined by the color of the Louver. Consult website for available lumens/ft based on selected louver.

D. LM/FT (INDIRECT)

LPG000 Not required	LPG020 200 lm/ft	LPG040 400 lm/ft	LPG060 600 lm/ft
LPG080 800 lm/ft	LPG100 1000 lm/ft	LPG120 1200 lm/ft	LPG140 1400 lm/ft
LPG160 1650 lm/ft			

Consult website for available lumens/ft.
All data shown based on DD3 diffuser.

E. CRI

CR80 CRI 80+	CR90 CRI 90+
---------------------	---------------------

F. CCT (DIRECT)

CTA30 3000K	CTA35 3500K	CTA40 4000K
--------------------	--------------------	--------------------

G. CCT (INDIRECT)

CTB00 Not required	CTB30 3000K	CTB35 3500K	CTB40 4000K
---------------------------	--------------------	--------------------	--------------------

H. DIRECT DIFFUSER

DD1 Asymmetric diffuser ¹	DD4 Comfort diffuser ³
---	--

¹ When standing at the end view of the profile on the side where the power cord is installed, the asymmetric beam will aim to the right.

I. UPLIGHT DIFFUSER

UD0 Not required	UD1 Clear diffuser (Batwing distribution)
-------------------------	--

J. BLACKOUT PLATE

UB00 Not required	UB_ _ Blackout plate ¹
--------------------------	--

¹ Available on a per foot basis. May be required to prevent lighting up duct work in a loft type application.

K. VOLTAGE

V1 120/277V	V2 240V ¹	V3 347V ²	V4 Low Voltage ³
--------------------	-----------------------------	-----------------------------	------------------------------------

¹ Not available in North America.

² Only available with DA01 dimming.

³ Only available with DA45 dimming.

L. DIMMING

DA01 0-10V Dimming 1.0%	DA02 0-10V Dimming 0.1% ¹	DA20 DALI Dimming 0.1% ¹	DA21 DALI Dimming 1.0% ¹
DA30 DSI/switchDim ²	DA45 PoE ³		

¹ Not available with 347V.

² Not available in North America.

³ Only available with V4.

M. CEILING TYPE

G1 Grid ceiling ¹	H1 Hard ceiling ²
-------------------------------------	-------------------------------------

The cost for the canopies, power cables, connections mechanisms and endcaps for the fixture has been added to these items.

¹ Combo kit provided includes installation to T-bar and through tile mount.

² Designed for drywall ceilings.

N. SUSPENSION

HLA03 3ft cable suspension	HLA06 6ft cable suspension	HLA09 9ft cable suspension
-----------------------------------	-----------------------------------	-----------------------------------

O. FIXTURE FINISH

FA01 White	FA02 Black Metallic - Textured	FA20 Silver Metallic - Textured	FA25 Gold Metallic
FA27 Wood grain - Light Cherry ¹	FA28 Wood grain - Dark Walnut ¹	FA44 Midnight Blue Metallic - Textured	FA45 Copper Metallic
FA46 Charcoal Metallic - Textured	FA47 Bronze Metallic - Textured	FA52 Champagne Metallic	FA53 Red Metallic - Textured

¹ Longer than normal lead times may apply, consult factory.

P. CANOPY FINISH

CF01 White	CF02 Black Metallic - Textured	CF20 Silver Metallic - Textured	CF25 Gold Metallic
CF44 Midnight Blue Metallic - Textured	CF45 Copper Metallic	CF46 Charcoal Metallic - Textured	CF47 Bronze Metallic - Textured
CF52 Champagne Metallic	CF53 Red Metallic - Textured		

Q. EMERGENCY

E0 Not required	E1 Emergency system - Integral	E3 Emergency generator circuit ¹
------------------------	---------------------------------------	--

¹ A drawing will be required at time of ordering to determine the required number and location of the emergency sections or generator circuits. ¹ Available upon request, consult factory for details. Not available with 347V.

R. CIRCUITS

CS1 Single circuit	CS2 Dual circuit
---------------------------	-------------------------

¹ Independent control of uplight for LELP2P.

S. SENSORS

SR00 Not required	SR Enlighted ¹	ST Osram Encelium ¹	SV Philips ¹
--------------------------	----------------------------------	---------------------------------------	--------------------------------

¹ Specify quantity of sensor sections required based off total length of run.

Available upon request, consult factory for details. Not available with 347V.

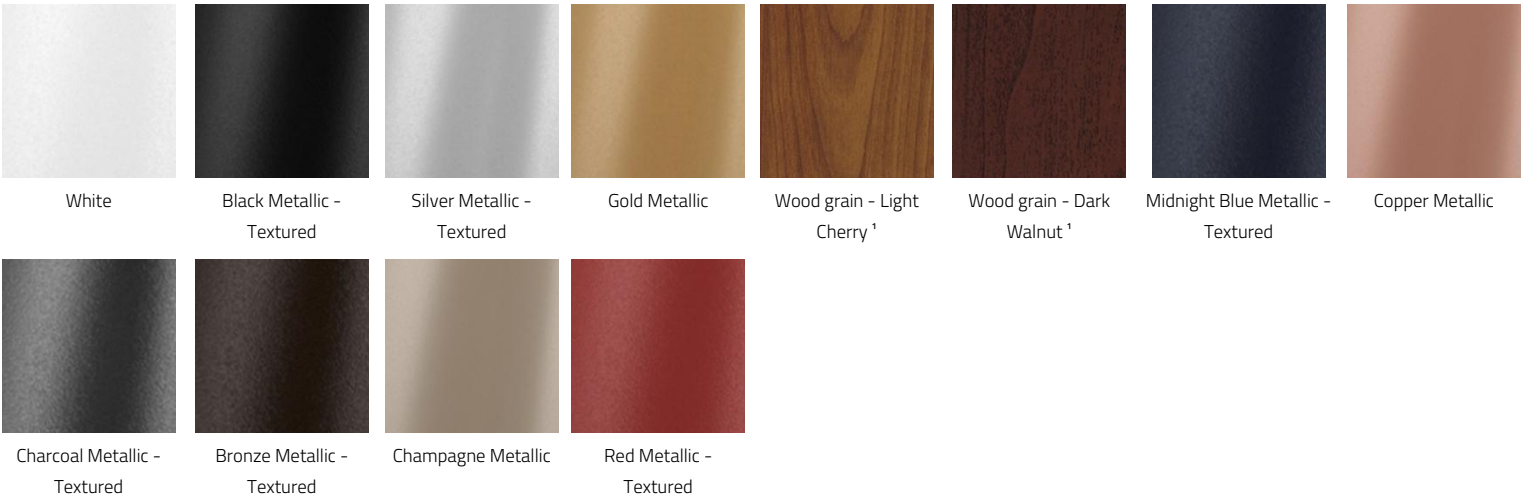
A drawing will be required at time of ordering to determine the required location of the sensors.

LOUVER



Black White Satin Chrome Satin Gold Satin Champagne

FINISH

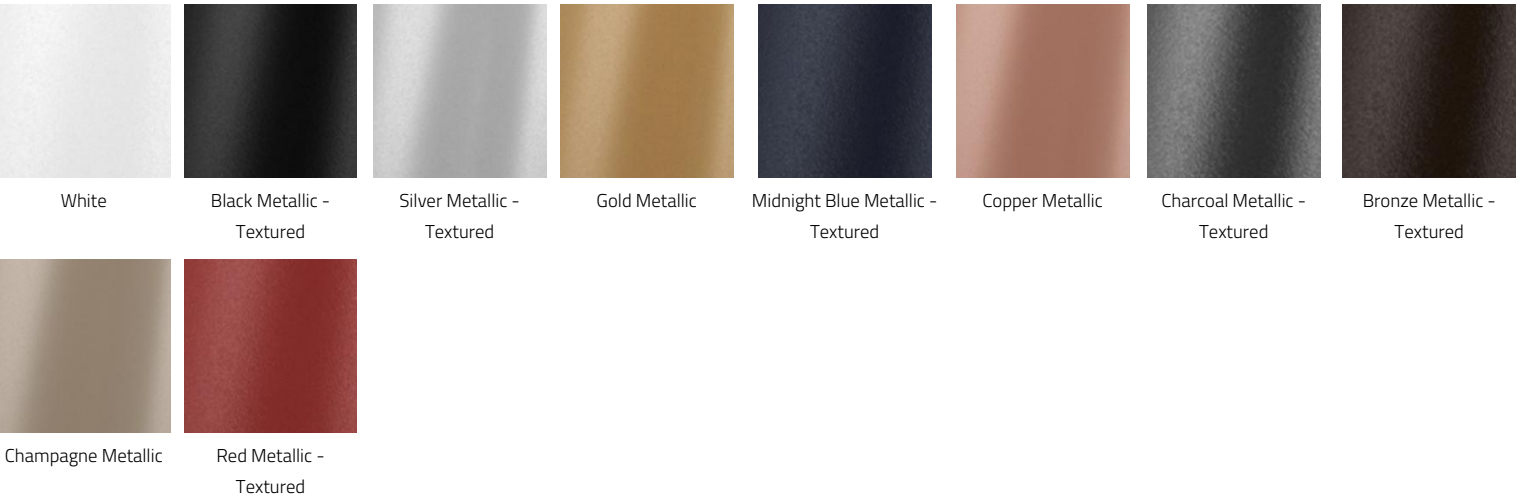


White Black Metallic - Textured Silver Metallic - Textured Gold Metallic Wood grain - Light Cherry¹ Wood grain - Dark Walnut¹ Midnight Blue Metallic - Textured Copper Metallic

Charcoal Metallic - Textured Bronze Metallic - Textured Champagne Metallic Red Metallic - Textured

¹ Longer than normal lead times may apply, consult factory.

CANOPY FINISH



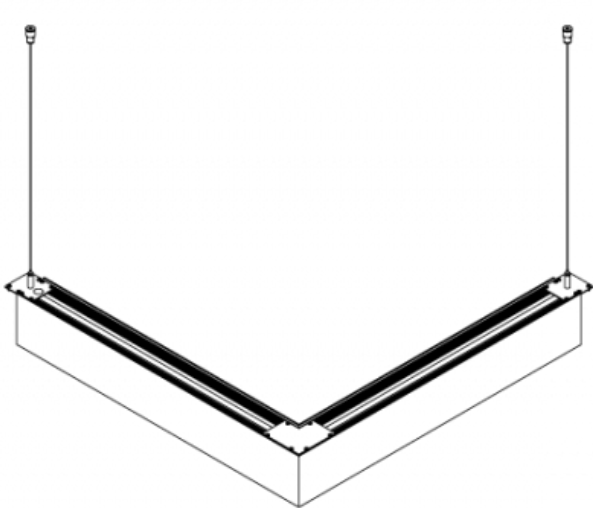
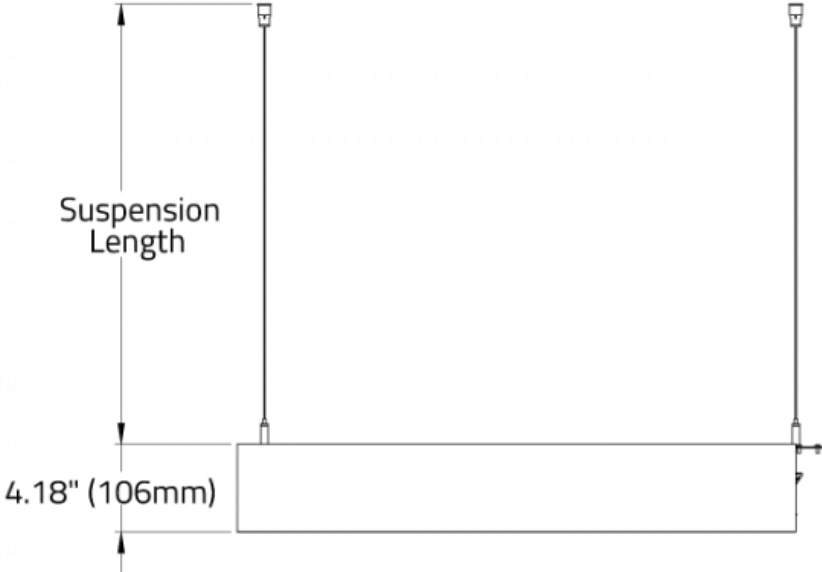
White Black Metallic - Textured Silver Metallic - Textured Gold Metallic Midnight Blue Metallic - Textured Copper Metallic Charcoal Metallic - Textured Bronze Metallic - Textured

Champagne Metallic Red Metallic - Textured

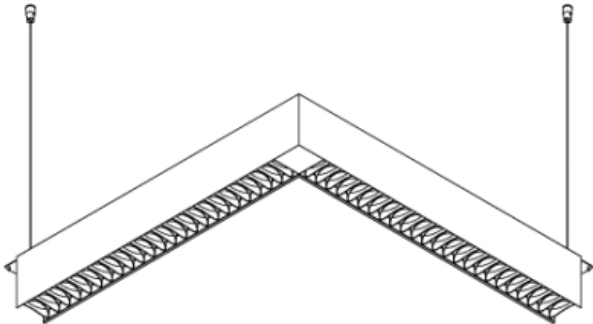
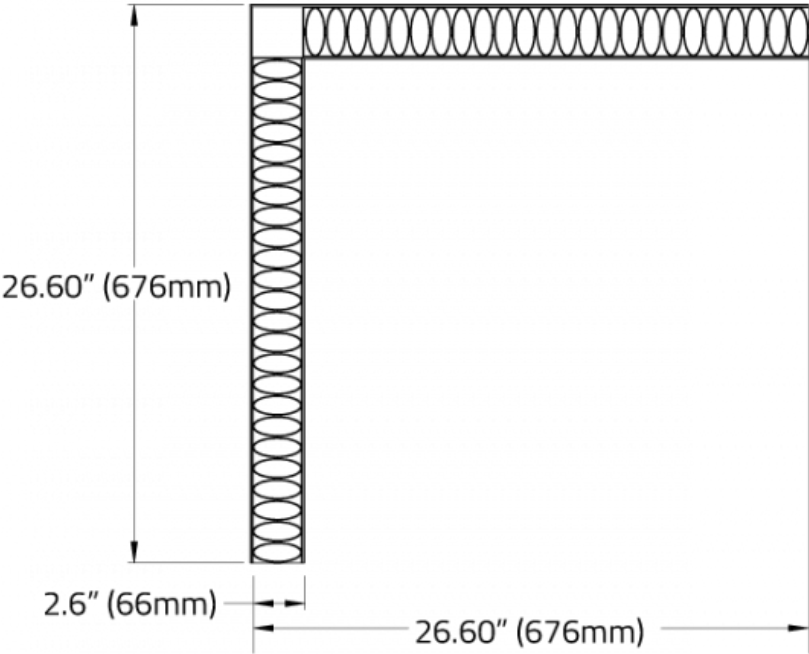
APPROVALS



DIMENSIONAL DIAGRAMS



ISOMETRIC TOP VIEW



ISOMETRIC BOTTOM VIEW