

MATREX RD SINGLE™ - SUSPENDED

Project Name:

Fixture Type:

Fixture Code:

Quantities:



MATREX RD SINGLE™ - SUSPENDED



MATREX RD SINGLE™ - SUSPENDED

MATREX is a family of spotlights packed with power for projecting light at great distances. With best-in-class thermal management and hidden heat sinks, MATREX's form factor is significantly smaller than traditional spotlights. Multiple mounting systems are available, providing a variety of functions that work in a range of applications, especially those with multiple ceiling heights.

GENERAL SPECIFICATION

Body and trim

Steel and aluminum.

Suspension

Steel cables.

Drivers

HPF, electronic, 120-277V, 347V (EU-240V).

Estimated L70 @25°C (77°F)

> 171,000 hrs.

Integral emergency system

Emergency option provides a 1.5 hour (3 hours for EU) emergency lighting facility. The self contained system includes the inverter module, NiCad batteries, LED charge indicator and test switch (NA only). Integral emergency EU luminaires have a 17" (434mm) x 8.3" (210mm) x 2.3" (58mm) canopy with LED charge indicator. Not available with a 347V supply. Drivers are in the canopy.

Designed by

Serge Cornelissen.

Finish

Powder coated as specified. Custom paint finishes available to special order.

Power cable

Silver braided.

Reported L70 @25°C (77°F)

> 60,000 hrs.

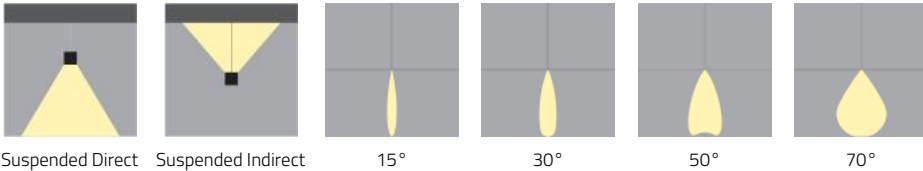
Delivered lumens

Delivered lumens & lpw based on 4000K, CRI 80+.

Mechanical

Luminaires mount to a junction box (by others - North America only).

MOUNTING & OPTICS



Suspended Direct

Suspended Indirect

15°

30°

50°

70°

MATREX RD SINGLE™ - SUSPENDED

HOW TO ORDER

A. LUMINAIRE

MTRP1P01 Direct, 10050 lms

MTRP2P01 Indirect, 10050 lms

All data shown at max output and nominal values.

B. LUMENS

LMA0250 2500

LMA0500 5025

LMA0750 7500

LMA1000 10050

C. CRI

CR80 CRI 80+

CR90 CRI 90+

D. CCT/CRI

CTA30 3000K

CTA35 3500K

CTA40 4000K

E. BEAM ANGLE

BA15 15°

BA30 30°

BA50 50°

BA70 70°

F. VOLTAGE

V1 120/277V

V2 240V¹

V3 347V²

¹ Not available in North America.

² Only available with DA01 dimming.

G. DIMMING

DA01 0-10V Dimming 1.0%

DA02 0-10V Dimming 0.1%¹

DA20 DALI Dimming 0.1%¹

DA21 DALI Dimming 1.0%¹

DA30 DSI/switchDim^{1 2}

DA40 DMX Dimming^{1 3}

¹ Not available with 347V.

² Not available in North America.

³ Must be used with CN4 canopy.

H. FIXTURE FINISH

FA01 White

FA02 Black Metallic - Textured

FA20 Silver Metallic - Textured

FA25 Gold Metallic

FA44 Midnight Blue Metallic - Textured

FA46 Charcoal Metallic - Textured

FA47 Bronze Metallic - Textured

FA53 Red Metallic - Textured

I. CANOPY

CN1 Canopy A¹

CN2 Canopy B¹

CN3 Canopy C^{1 2}

CN4 Canopy D^{1 3}

¹ Fits over a standard j-box (provided by others).

² For use with V2 only.

³ To be ordered with E1 (Emergency Integral) or DA40 (DMX Dimming).

J. CANOPY FINISH

CF01 White

CF02 Black Metallic - Textured

CF20 Silver Metallic - Textured

CF25 Gold Metallic

CF44 Midnight Blue Metallic - Textured

CF46 Charcoal Metallic - Textured

CF47 Bronze Metallic - Textured

CF53 Red Metallic - Textured



MATREX RD SINGLE™ - SUSPENDED

K. SNOOTS AND LOUVER

NT1 Standard Snoot - Black ¹

NT2 Standard Snoot - White ¹

NT3 Long Snoot - Black ¹

NT4 Long Snoot - White ¹

NT5 Half Snoot - Black ¹

NT6 Half Snoot - White ¹

NT9 Hex Louver - Black

Consult IES files for exact beam angle and delivered lumens.

¹ A snoot must be picked at time of order, if you are not ordering a louver.

² Not available with BA70 beam angle. Available with Direct only.

L. EMERGENCY

E0 Emergency system not required

E1 Emergency system - Integral ^{1 2}

¹ Not available with 347V. Two power cables will be supplied.

² CN4 canopy only used when ordering emergency or DMX.



MATREX RD SINGLE™ - SUSPENDED

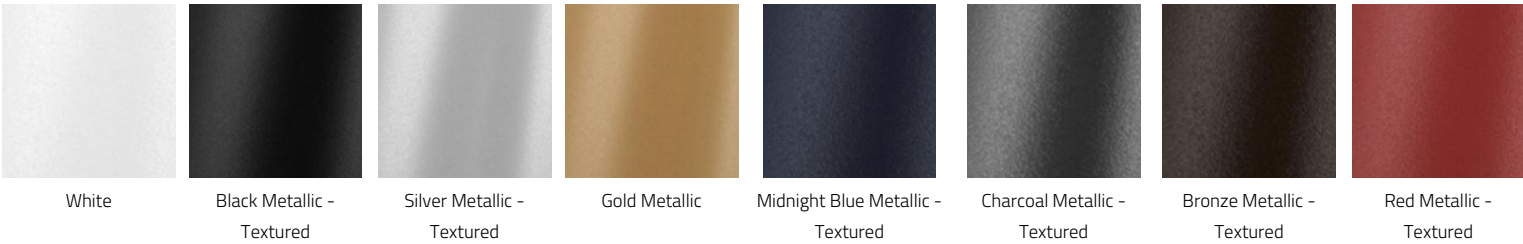
TECHNICAL DATA

LUMINAIRE

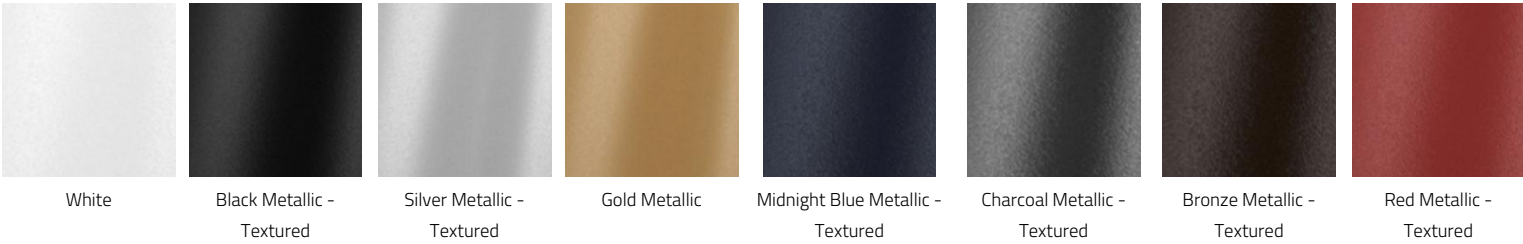
All data shown at max output and nominal values.

Code	MTRP1P01	MTRP2P01
Light Direction	Direct	Indirect
Max Wattage	93W	93W
Max Delivered lms	10050	10050
Max LPW	124	124

FINISH - FIXTURE



FINISH - CANOPY



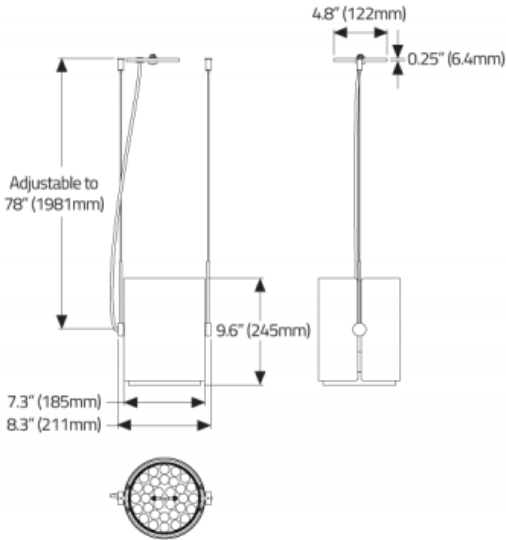
APPROVALS



MATREX RD SINGLE™ - SUSPENDED

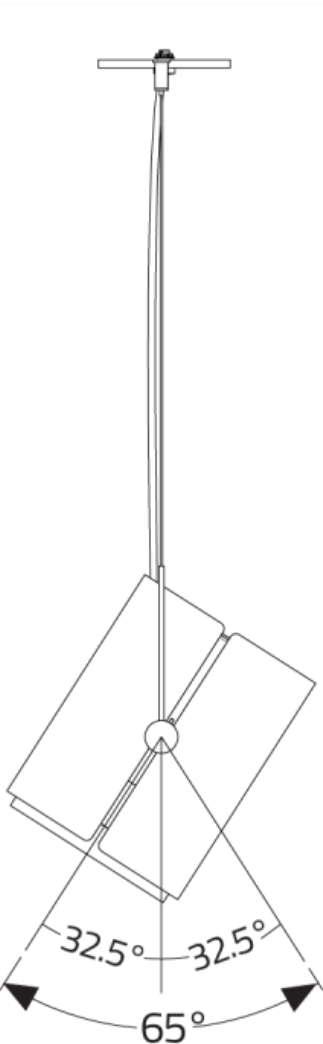
DIMENSIONAL DIAGRAMS

FIXTURE PROFILE

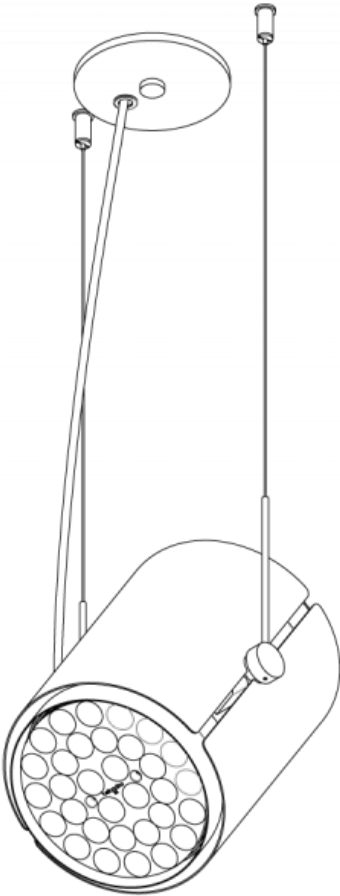
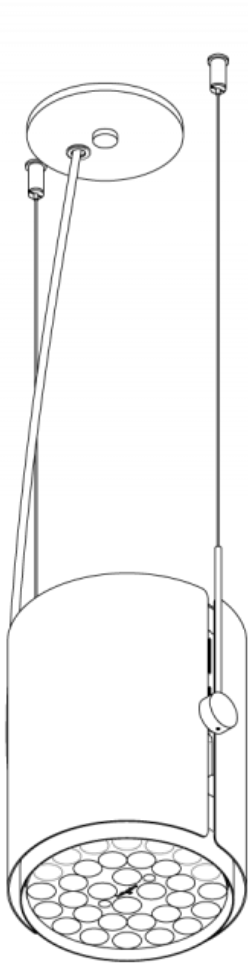


MATREX RD SINGLE™ - SUSPENDED

DIRECT



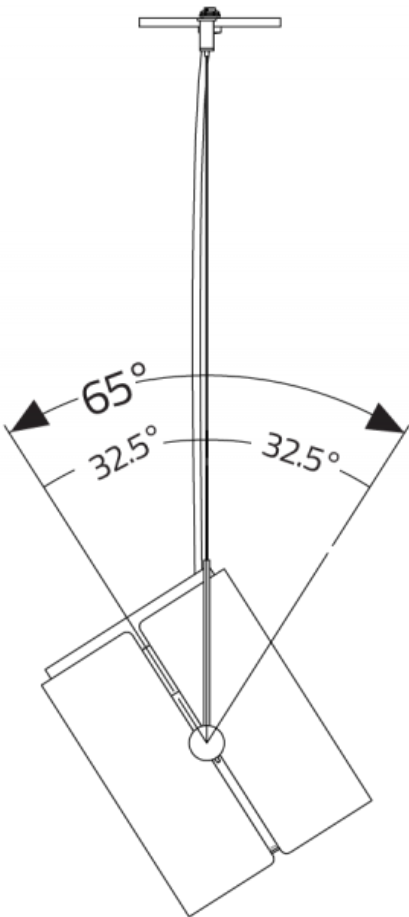
ISOMETRIC BOTTOM VIEW
(STRAIGHT)



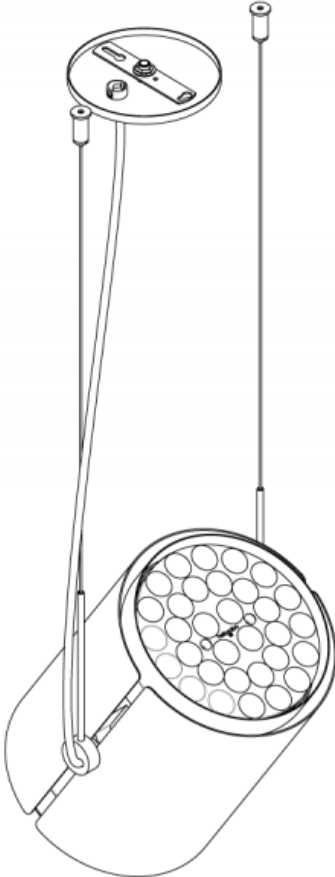
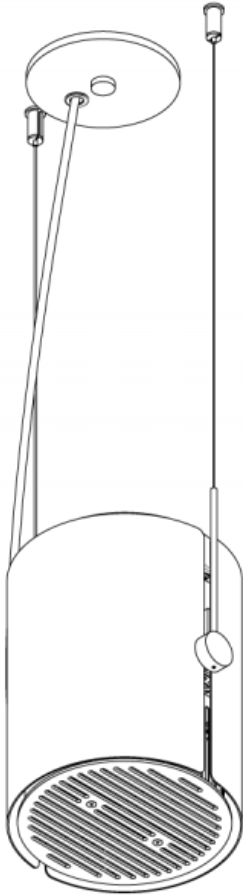
ISOMETRIC VIEW
(ANGLED)

MATREX RD SINGLE™ - SUSPENDED

INDIRECT



ISOMETRIC BOTTOM VIEW
(STRAIGHT)

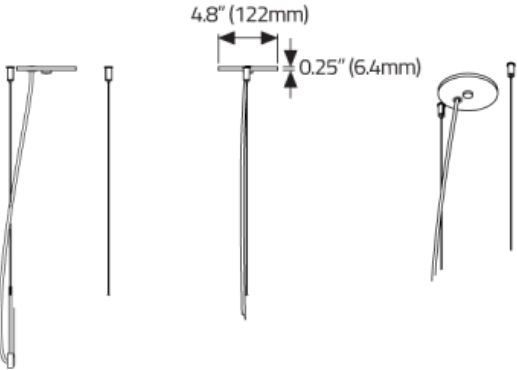


ISOMETRIC VIEW
(ANGLED)

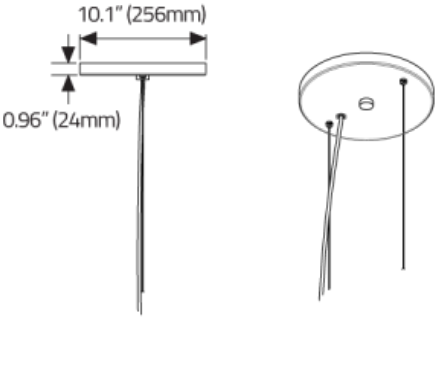
MATREX RD SINGLE™ - SUSPENDED

CANOPIES

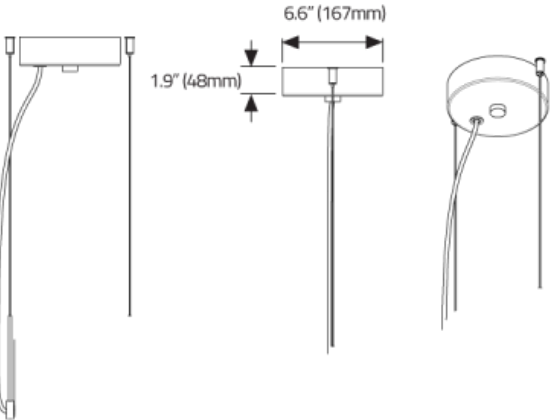
CANOPY A



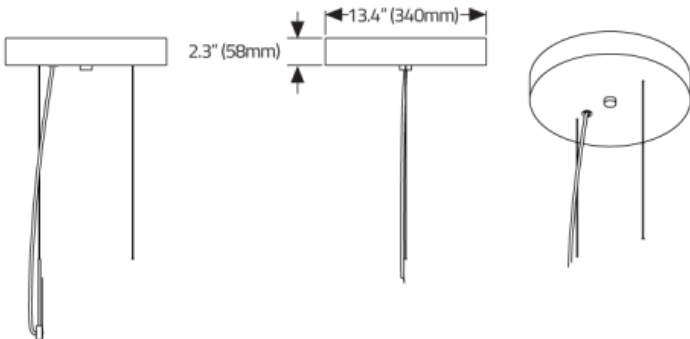
CANOPY B



CANOPY C

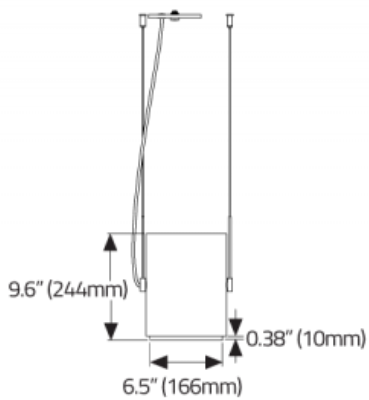


CANOPY D

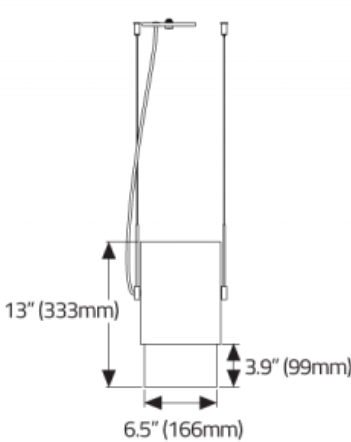


MATREX RD SINGLE™ - SUSPENDED

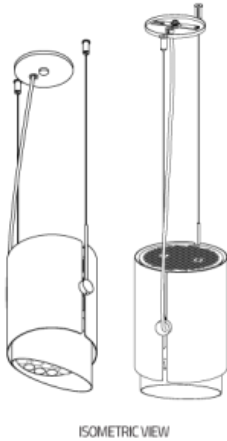
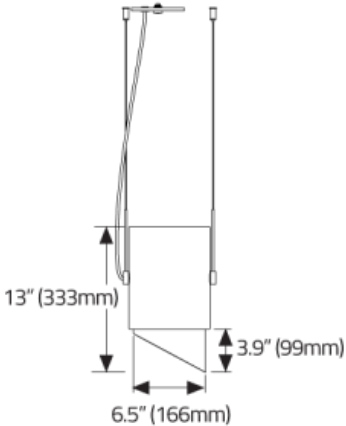
SNOOTS



STANDARD SNOOT



LONG SNOOT



HALF SNOOT

MATREX RD SINGLE™ - SUSPENDED

LOUVRE

HEX CELL LOUVRE

