

# MATREX RD SINGLE™

Project Name:

Fixture Type:

Fixture Code:

Quantities:



MATREX RD SINGLE™



# MATREX RD SINGLE™

**MATREX** is a family of spotlights packed with power for projecting light at great distances. With best-in-class thermal management and hidden heat sinks, MATREX's form factor is significantly smaller than traditional spotlights. Multiple mounting systems are available, providing a variety of functions that work in a range of applications, especially those with multiple ceiling heights.

## GENERAL SPECIFICATION

### Body and trim

Steel and aluminum.

### Drivers

HPF, electronic, 120-277V, 347V (EU-240V).

### Remote emergency system (North America only)

Emergency option provides a 1.5 hour emergency lighting facility. The remote system includes the inverter module, NiCad batteries and a remote wall/ceiling LED charge indicator and test switch (maximum distance between wall/ceiling plate and luminaire is 4.5m/15'). Test switch fits a single gang box (not supplied).

### Delivered lumens

Delivered lumens & lpw based on 4000K, CRI 80+.

### Finish

Powder coated as specified. Custom paint finishes available to special order.

### Mechanical

Luminaires mount to a junction box (by others - North America only).

### Reported L70 @25°C (77°F)

> 60,000 hrs.

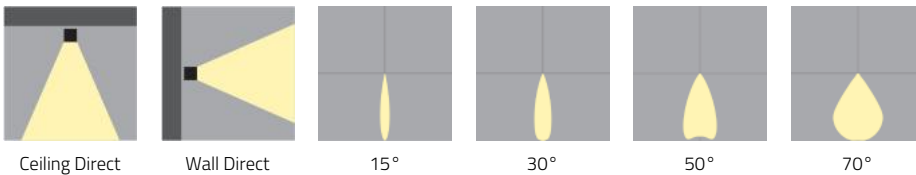
### Estimated L70 @25°C (77°F)

> 171,000 hrs.

### Designed by

Serge Cornelissen.

## MOUNTING & OPTICS



# MATREX RD SINGLE™

## HOW TO ORDER

### A. LUMINAIRE

**MTRF1P01** Direct, 10050 lms

All data shown at max output and nominal values.

### B. LUMENS

**LMA0250** 2500

**LMA0500** 5025

**LMA0750** 7500

**LMA1000** 10050

### C. CRI

**CR80** CRI 80+

**CR90** CRI 90+

### D. CCT/CRI

**CTA30** 3000K

**CTA35** 3500K

**CTA40** 4000K

### E. BEAM ANGLE

**BA15** 15°

**BA30** 30°

**BA50** 50°

**BA70** 70°

### F. VOLTAGE

**V1** 120/277V

**V2** 240V<sup>1</sup>

**V3** 347V<sup>2</sup>

<sup>1</sup> Not available in North America.

<sup>2</sup> Only available with DA01 dimming.

### G. DIMMING

**DA01** 0-10V Dimming 1.0%

**DA02** 0-10V Dimming 0.1%<sup>1</sup>

**DA20** DALI Dimming 0.1%<sup>1</sup>

**DA21** DALI Dimming 1.0%<sup>1</sup>

**DA30** DSI/switchDim<sup>1 2</sup>

<sup>1</sup> Not available with V3.

<sup>2</sup> Not available in North America.

### H. FINISH

**FA01** White

**FA02** Black Metallic - Textured

**FA20** Silver Metallic - Textured

**FA25** Gold Metallic

**FA44** Midnight Blue Metallic - Textured

**FA46** Charcoal Metallic - Textured

**FA47** Bronze Metallic - Textured

**FA53** Red Metallic - Textured

### I. SNOOTS AND LOUVER

**NT1** Standard Snoot - Black<sup>1</sup>

**NT2** Standard Snoot - White<sup>1</sup>

**NT3** Long Snoot - Black<sup>1</sup>

**NT4** Long Snoot - White<sup>1</sup>

**NT5** Half Snoot - Black<sup>1</sup>

**NT6** Half Snoot - White<sup>1</sup>

**NT9** Hex Louver - Black<sup>2</sup>

Consult IES files for exact beam angle and delivered lumens.

<sup>1</sup> A snoot must be picked at time of order, if you are not ordering a louver.

<sup>2</sup> Not available with BA70 beam angle.

### J. EMERGENCY

**E0** Emergency system not required

**E2** Emergency system - Remote<sup>1</sup>

<sup>1</sup> Not available with V3. Integral not available.



# MATREX RD SINGLE™

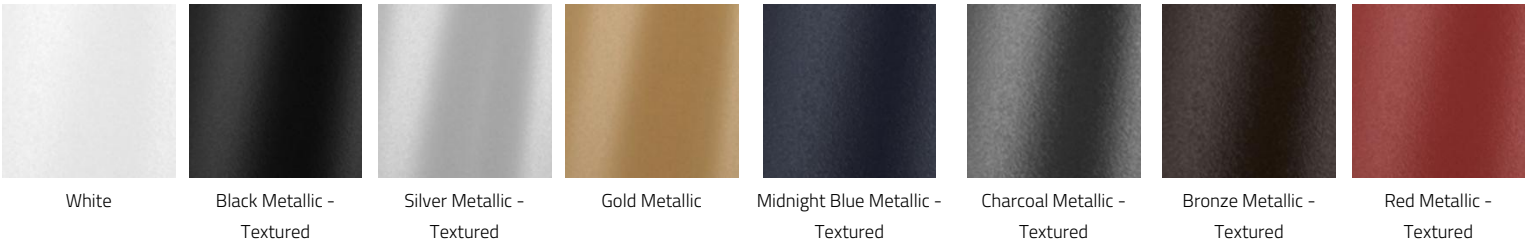
## TECHNICAL DATA

### LUMINAIRE

All data shown at max output and nominal values.

<b>Code</b>	<b>MTRF1P01</b>
<b>Light Direction</b>	Direct
<b>Wattage</b>	93
<b>Delivered lms</b>	10050
<b>LPW</b>	124

### FINISH - FIXTURE

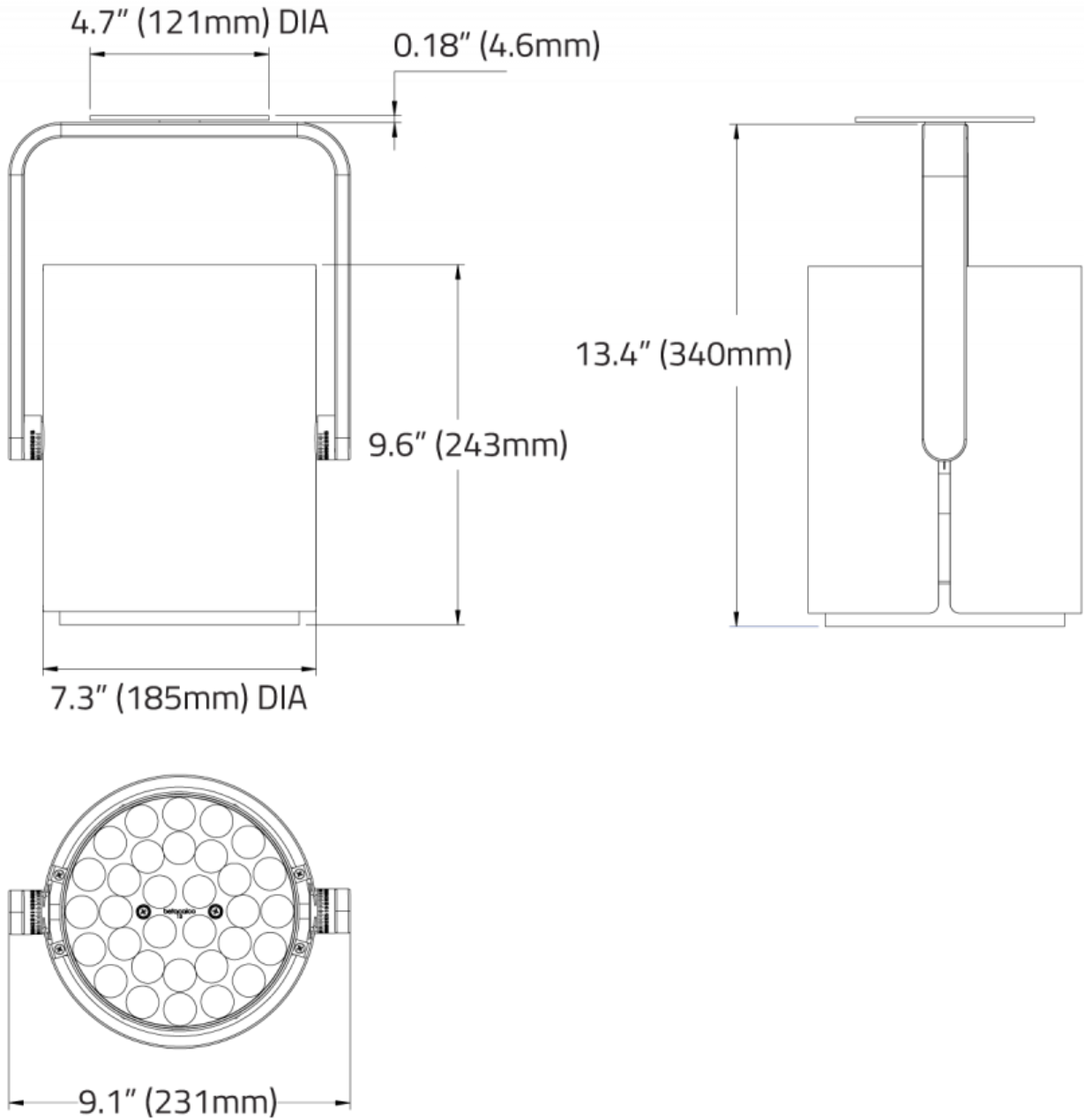


### APPROVALS

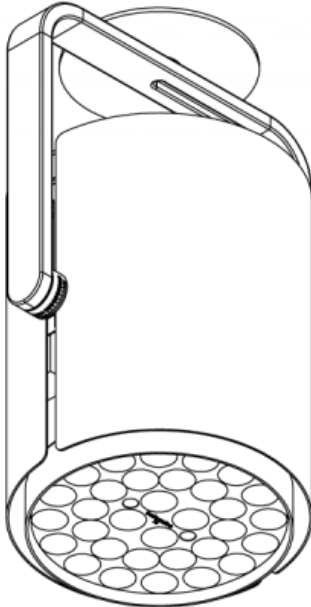
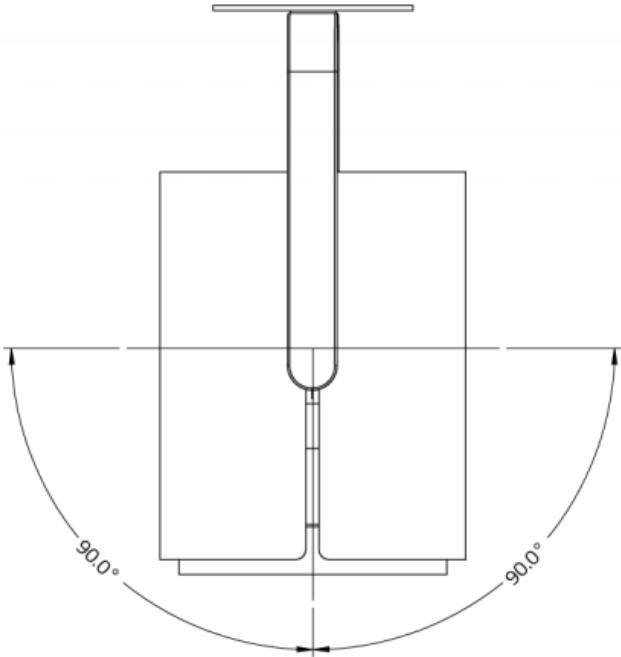


# MATREX RD SINGLE™

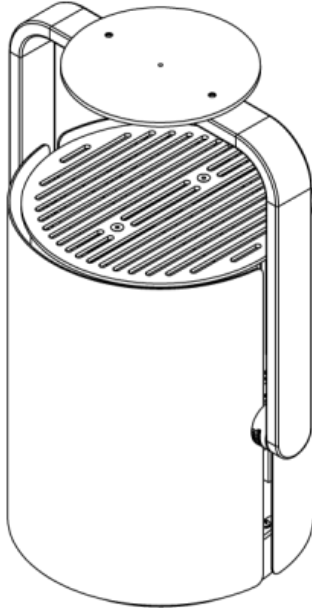
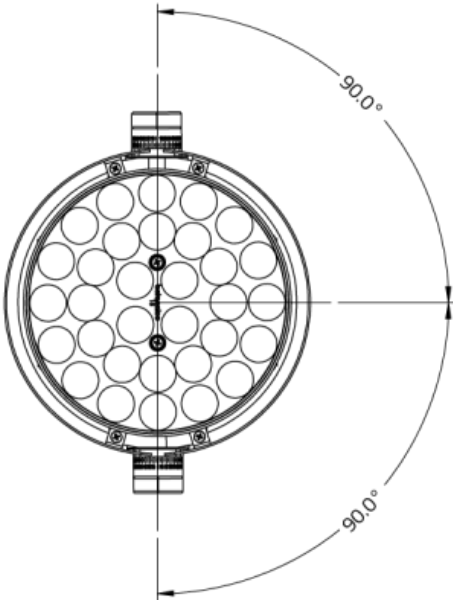
## DIMENSIONAL DIAGRAMS



**MATREX RD SINGLE™**

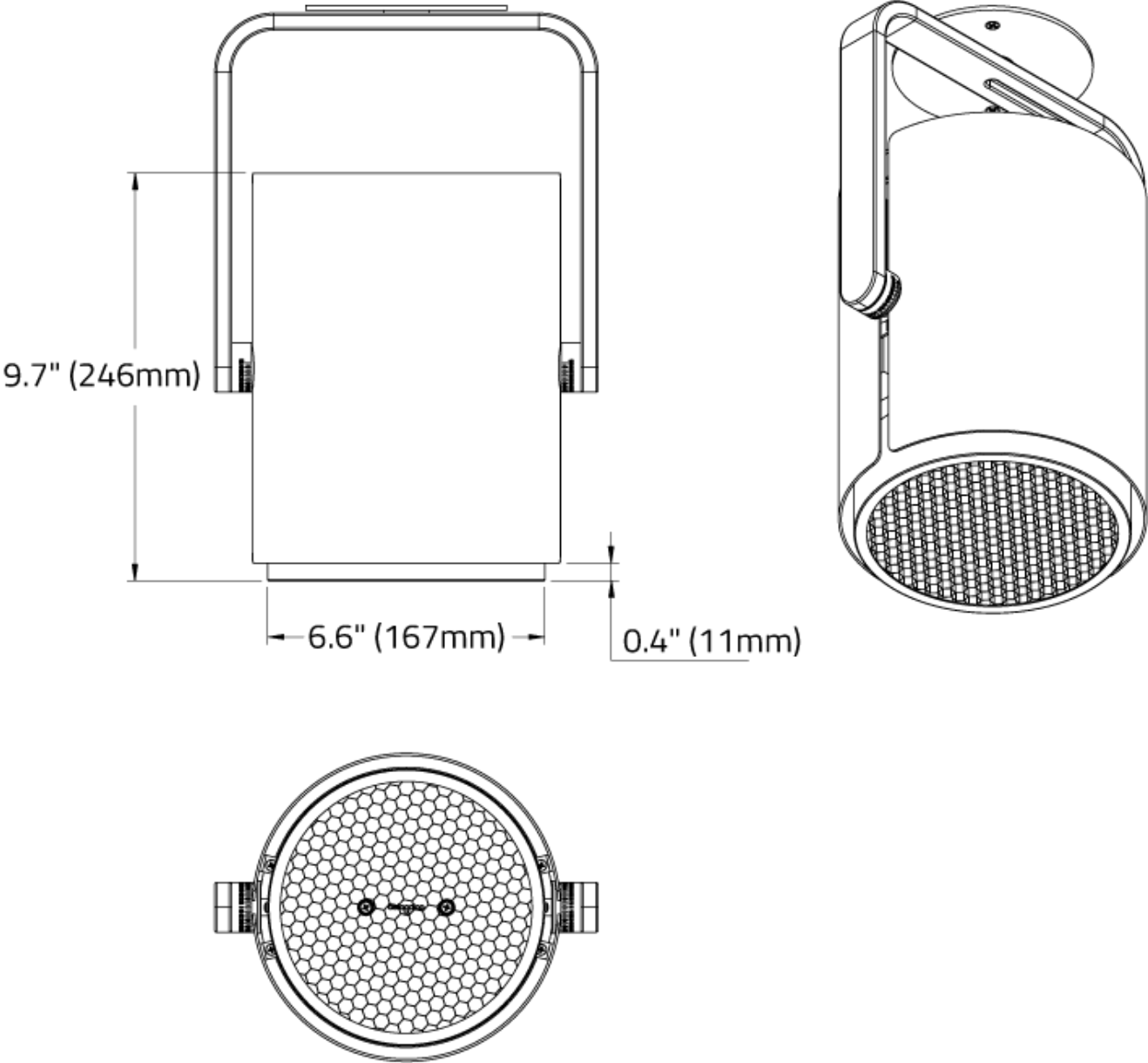


ISOMETRIC  
BOTTOM VIEW



ISOMETRIC  
TOP VIEW

HEX CELL LOUVRE

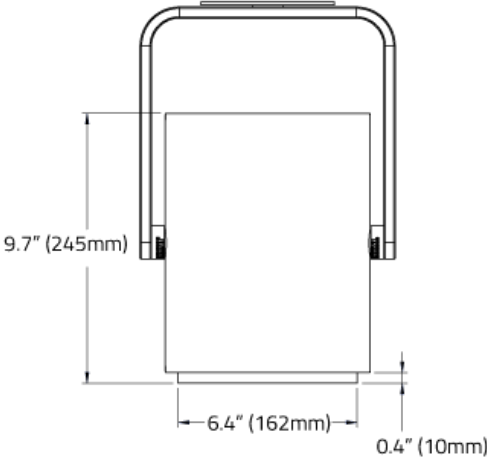




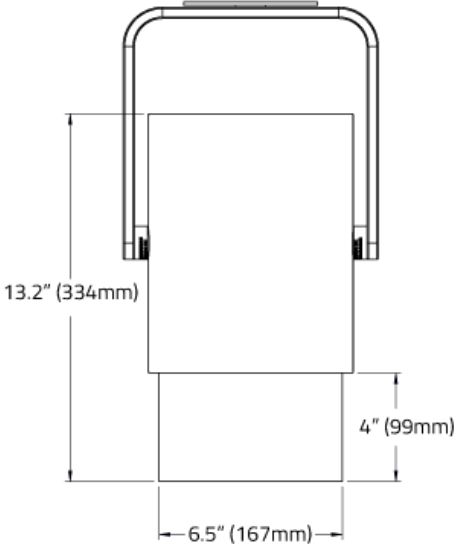
# MATREX RD SINGLE™

## SNOOTS

### STANDARD SNOOT



### LONG SNOOT



### HALF SNOOT

