

# BOOK™ NON ILLUMINATED

Project Name:

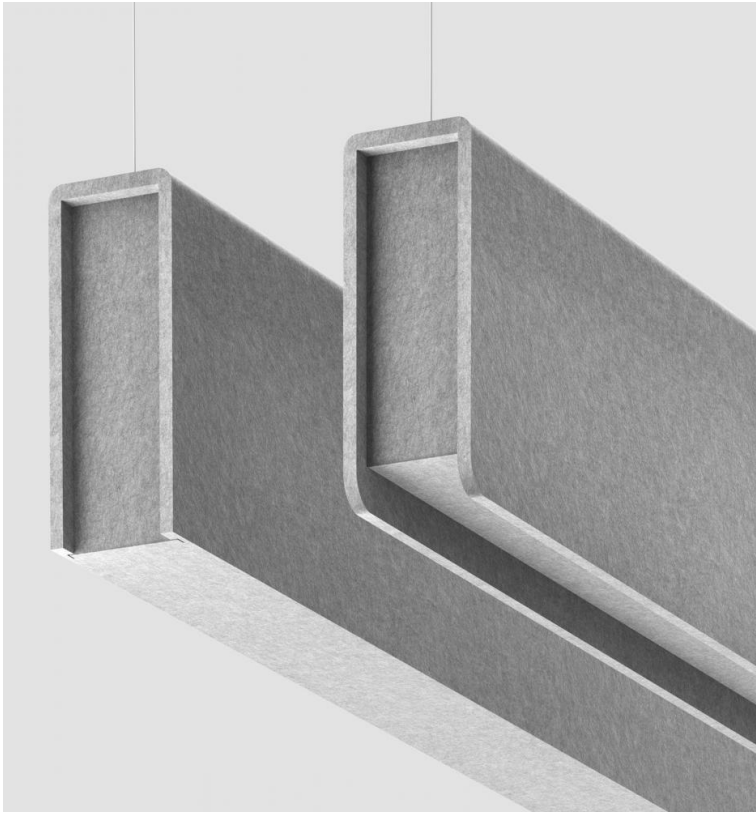
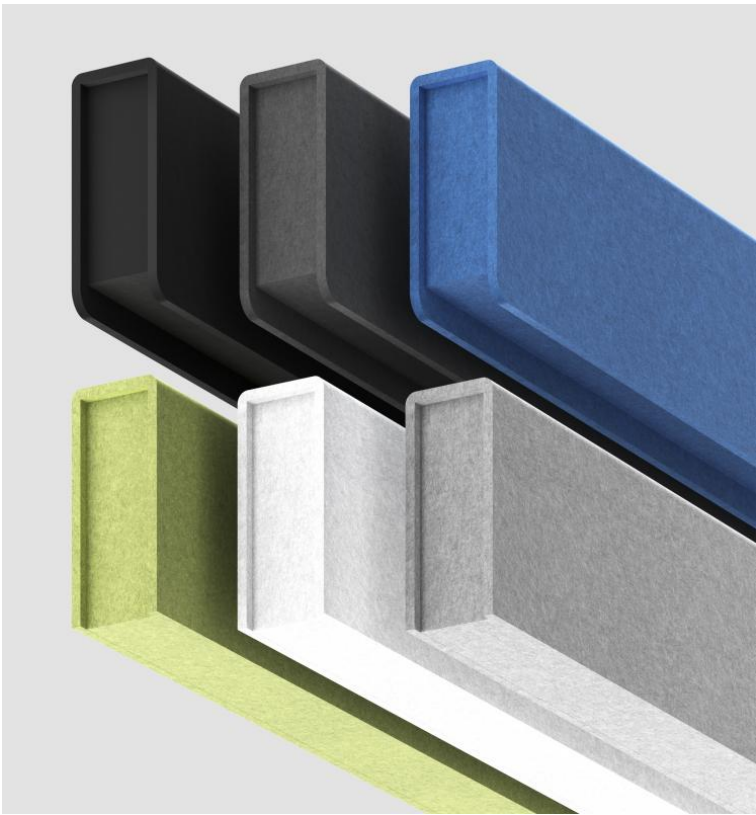
Fixture Type:

Fixture Code:

Quantities:



**BOOK™ NON ILLUMINATED**



# BOOK™ NON ILLUMINATED

Decrease sound reverberation with sound baffles that match the form factor of the **BOOK SERIES**. Our classic linear profile is wrapped in sound-absorbing material with either a recessed cover to match the Book acoustic luminaire or a flush cover to match Book II. Non-illuminated panels are effective for controlling noise and maintaining an open office design without the need for additional walls.

## GENERAL SPECIFICATION

### Finish

Canopy - Powder coated white.

### Suspension

Steel cables.

### Acoustic Panels NRC Rating

0.80.

### Acoustic Panels Class A Fire Rating

ASTM E-84 material.

### Acoustic Panels Material

100% recycled polyester fiber (PET).

### Acoustic Panels Thickness

12mm (0.5").

### Approvals

Damp Location (Indoor use only).

### Design

US Design Patent Pending.

### Designed by

Mirko Rotondi

## MOUNTING & OPTICS



Acoustic





# BOOK™ NON ILLUMINATED

## HOW TO ORDER

### A. LUMINAIRE

**BKRPOP** Book - Regress

**BKFPOP** Book II - Flush

### B. LENGTH OF RUN

**SFA** \_ \_ \_ \_

Order in 2ft increments starting at 4ft.

### C. MAX LENGTH PER SECTION

**SL04** 4ft

**SL06** 6ft

**SL08** 8ft

**SL10** 10ft

**SL12** 12ft

### D. CEILING TYPE

**H1** Hard ceiling <sup>2</sup>

**G1** Grid ceiling <sup>1</sup>

The cost for the canopies, connections mechanisms and endcaps for the fixture has been added to these items.

<sup>1</sup> Combo kit provided includes installation to T-bar and through tile mount.

<sup>2</sup> Designed for drywall ceilings.

### E. SUSPENSION

**HLA03** 3ft cable suspension

**HLA06** 6ft cable suspension

**HLA09** 9ft cable suspension

\* Note: Special order available on lengths over 13ft and may be subject to longer lead times, consult factory.

### F. ACOUSTIC PANEL COLOR

**AP04** White

**AP13** Apple Green

**AP22** Blue

**AP11** Light Gray

**AP26** Sesame Gray

**AP27** Black

# BOOK™ NON ILLUMINATED

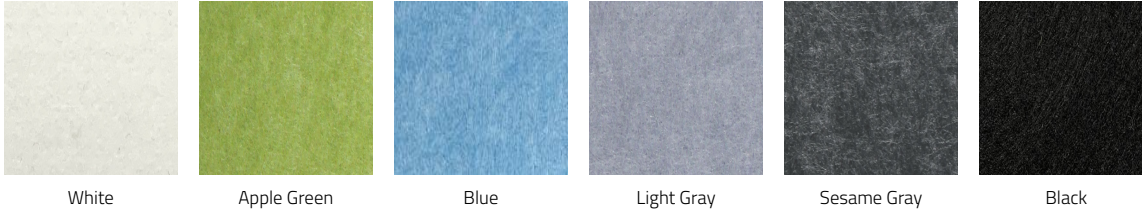
## TECHNICAL DATA

### LUMINAIRE

<b>Code</b>	<b>BKRPOP</b>	<b>BKFPOP</b>
<b>Style</b>	Book - Regress	Book II - Flush

---

### ACOUSTIC PANEL COLOR



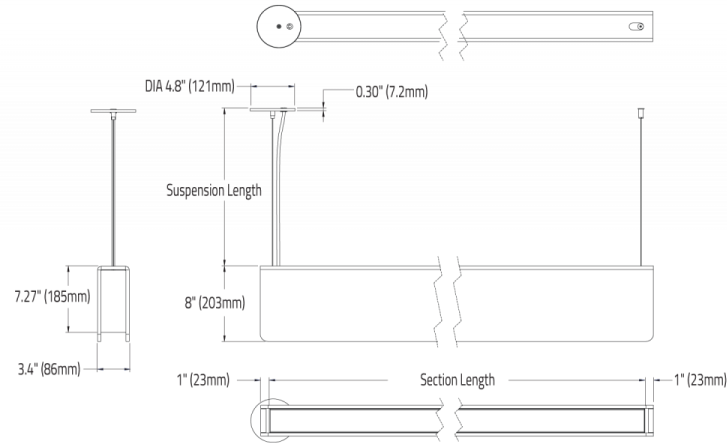
### APPROVALS



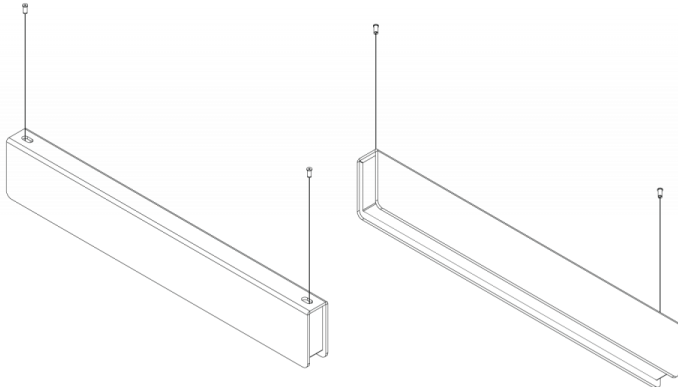
# BOOK™ NON ILLUMINATED

## DIMENSIONAL DIAGRAMS

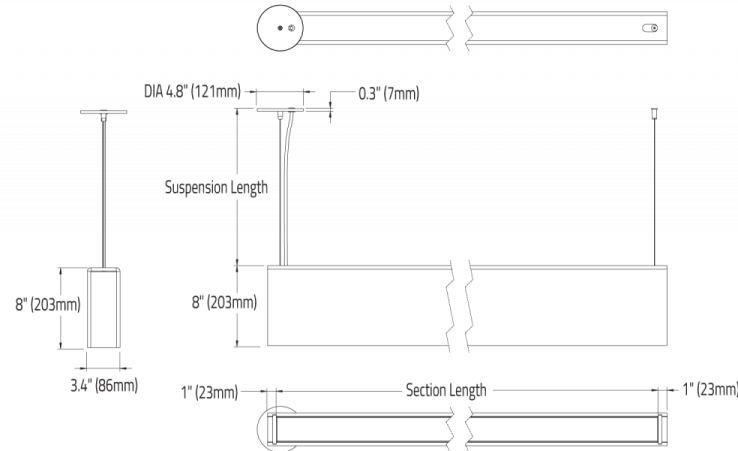
BOOK NON ILLUMINATED - PROFILE



BOOK NON ILLUMINATED - ISOMETRIC VIEWS



BOOK II NON ILLUMINATED - PROFILE



BOOK II NON ILLUMINATED - ISOMETRIC VIEWS

