

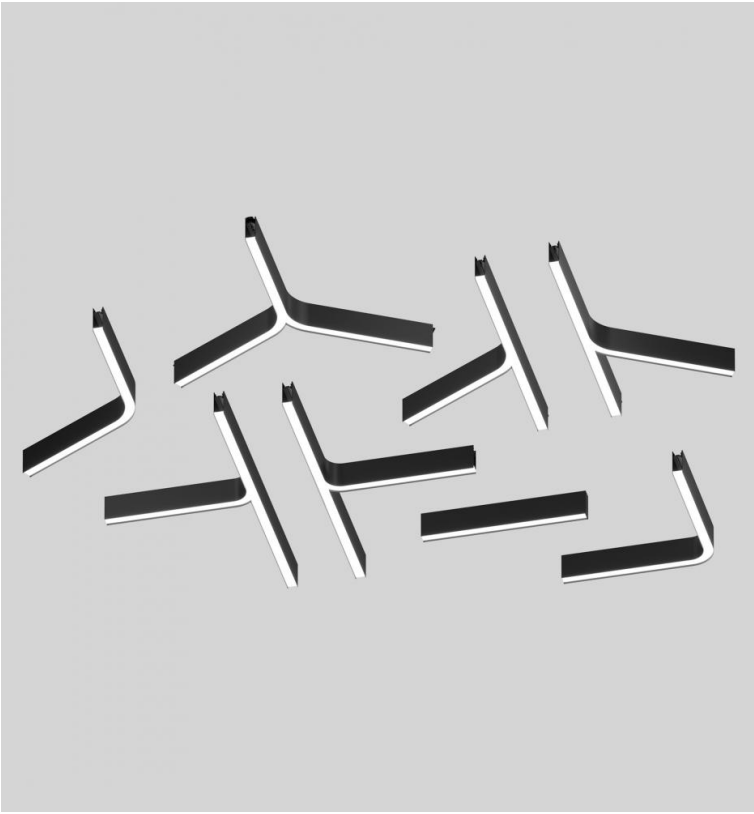
Project Name:

Fixture Type:

Fixture Code:

Quantities:





A fluent ribbon of light that moves and grooves in all directions. With a small set of modules, create a non-stop lighting plan that integrates with the spatial design. Build countless schemas made of flowy and sinuous branches or geometric and grid-like patterns. The smooth bends of the hubs bring levity to large-scale configurations making spaces more inviting. **ENDLESS** adds dimensionality to spaces and harmonizes the architectural elements from ceiling to floor.

GENERAL SPECIFICATION

Body

Extruded and die-cast aluminum.

Suspension

Steel cables.

Remote Emergency system

Emergency option provides a 1.5 hour (3hours for EU) emergency lighting facility. The remote system includes the inverter module, NiCad batteries and a remote wall/ceiling LED charge indicator and test switch. Maximum distance between wall/ceiling plate and luminaire is 15' (4.5m). Test switch fits a single gang box (not supplied).

Mechanical

Luminaires mount directly over J box (by others).

Reported L70 @25°C (77°F)

60,000 hrs @ 1600 lumens/ft (5200 lumens/m).

Approvals

Damp Location (Indoor use only).

Finish

Powder coated.

Power cable

Silver braided.

Drivers

HPF electronic drivers for 120-277V, 347 (EU-240V).

Diffuser

Opal acrylic.

Delivered lumens

Delivered lumens & LPW based on 4000K CRI 90+.

Designed by

Serge Cornelissen.

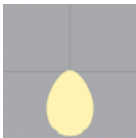
MOUNTING & OPTICS



Suspended Direct



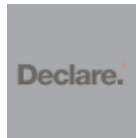
Suspended Direct/Indirect



Direct



Indirect



Declare

HOW TO ORDER

A. CHOOSE A MODULE

Each section to be ordered individually. Choose from one of the first 10 headings. Then proceed to the Lm/ft section. For larger sizes, refer to Tunnel Systems. One power cord for every 153 linear meters.

STRAIGHT SECTIONS - STANDALONE

TOP VIEW - STRAIGHT SECTION



Available in 4, 6, 8, 10 or 12 foot sections only.

EN1PSL04 4ft Direct

EN1PSL06 6ft Direct

EN1PSL08 8ft Direct

EN1PSL10 10ft Direct

EN1PSL12 12ft Direct

EN2PSL04 4ft Direct/Indirect

EN2PSL06 6ft Direct/Indirect

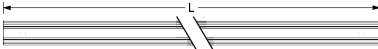
EN2PSL08 8ft Direct/Indirect

EN2PSL10 10ft Direct/Indirect

EN2PSL12 12ft Direct/Indirect

STRAIGHT CONTINUOUS - MIDDLE SECTIONS

TOP VIEW - STRAIGHT CONTINUOUS



EN1PLO2M 2ft Middle section Direct

EN1PLO4M 4ft Middle section Direct

EN1PLO6M 6ft Middle section Direct

EN1PLO8M 8ft Middle section Direct

EN1PL10M 10ft Middle section Direct

EN1PL12M 12ft Middle section Direct

EN2PLO2M 2ft Middle section
Direct/Indirect

EN2PLO4M 4ft Middle section
Direct/Indirect

EN2PLO6M 6ft Middle section
Direct/Indirect

EN2PLO8M 8ft Middle section
Direct/Indirect

EN2PL10M 10ft Middle section
Direct/Indirect

EN2PL12M 12ft Middle section
Direct/Indirect

STRAIGHT CONTINUOUS - END SECTIONS

TOP VIEW - STRAIGHT CONTINUOUS



EN1PLO2E 2ft End section Direct

EN1PLO4E 4ft End section Direct

EN1PLO6E 6ft End section Direct

EN1PLO8E 8ft End section Direct

EN1PL10E 10ft End section Direct

EN1PL12E 12ft End section Direct

EN2PLO2E 2ft End section
Direct/Indirect

EN2PLO4E 4ft End section
Direct/Indirect

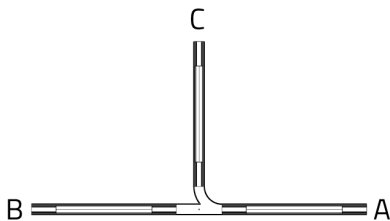
EN2PLO6E 6ft End section
Direct/Indirect

EN2PLO8E 8ft End section
Direct/Indirect

EN2PL10E 10ft End section
Direct/Indirect

EN2PL12E 12ft End section
Direct/Indirect

RIGHT HUB 90°



EN1PR90N 90° End caps not required
Direct

EN1PR90A 90° A c/w end cap Direct

EN1PR90B 90° B c/w end cap Direct

EN1PR90C 90° C c/w end cap Direct

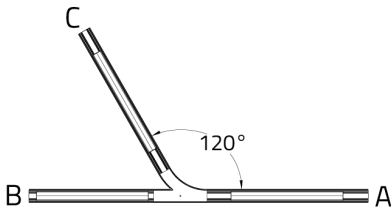
EN2PR90N 90° End caps not required
Direct/Indirect

EN2PR90A 90° A c/w end cap
Direct/Indirect

EN2PR90B 90° B c/w end cap
Direct/Indirect

EN2PR90C 90° C c/w end cap
Direct/Indirect

RIGHT HUB 120°



EN1PR12N 120° End caps not required Direct

EN2PR12N 120° End caps not required Direct/Indirect

EN1PR12A 120° A c/w end cap Direct

EN2PR12A 120° A c/w end cap Direct/Indirect

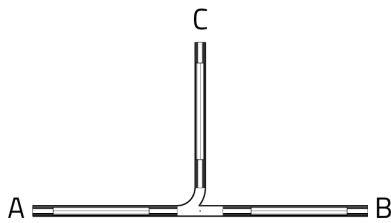
EN1PR12B 120° B c/w end cap Direct

EN2PR12B 120° B c/w end cap Direct/Indirect

EN1PR12C 120° C c/w end cap Direct

EN2PR12C 120° C c/w end cap Direct/Indirect

LEFT HUB 90°



EN1PL90N 90° End caps not required Direct

EN2PL90N 90° End caps not required Direct/Indirect

EN1PL90A 90° A c/w end cap Direct

EN2PL90A 90° A c/w end cap Direct/Indirect

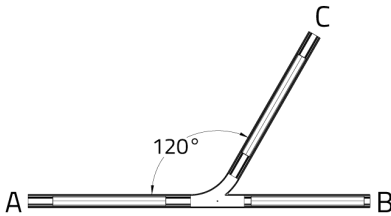
EN1PL90B 90° B c/w end cap Direct

EN2PL90B 90° B c/w end cap Direct/Indirect

EN1PL90C 90° C c/w end cap Direct

EN2PL90C 90° C c/w end cap Direct/Indirect

LEFT HUB 120°



EN1PL12N 120° End caps not required Direct

EN2PL12N 120° End caps not required Direct/Indirect

EN1PL12A 120° A c/w end cap Direct

EN2PL12A 120° A c/w end cap Direct/Indirect

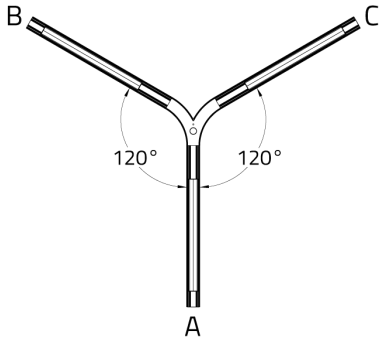
EN1PL12B 120° B c/w end cap Direct

EN2PL12B 120° B c/w end cap Direct/Indirect

EN1PL12C 120° C c/w end cap Direct

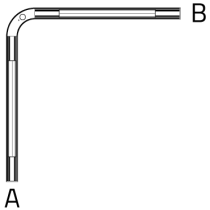
EN2PL12C 120° C c/w end cap Direct/Indirect

"Y" HUB 120°



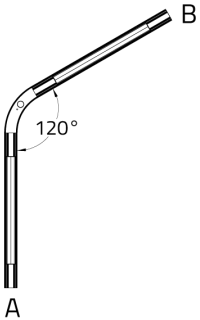
EN1PY12N 120° End caps not required
EN2PY12N 120° End caps not required
 Direct/Indirect

CORNER HUB 90°



EN1PC90N 90° End caps not required Direct
EN2PC90A 90° A c/w end cap Direct/Indirect
EN1PC90A 90° A c/w end cap Direct
EN2PC90B 90° B c/w end cap Direct/Indirect
EN1PC90B 90° B c/w end cap Direct
EN2PC90N 90° End caps not required Direct/Indirect

CORNER HUB 120°



EN1PC12N 120° End caps not required Direct
EN2PC12A 120° A c/w end cap Direct/Indirect
EN1PC12A 120° A c/w end cap Direct
EN2PC12B 120° B c/w end cap Direct/Indirect
EN1PC12B 120° B c/w end cap Direct
EN2PC12N 120° End caps not required Direct/Indirect

B. LM/FT (DIRECT)

LPF030 300 lm/ft **LPF050** 500 lm/ft **LPF070** 700 lm/ft

Black Metallic Textured available with 300 lm/ft and 500 lm/ft only.

C. LM/FT (INDIRECT)

LPG000 Not required **LPG050** 500 lm/ft **LPG070** 700 lm/ft **LPG090** 900 lm/ft

ENDLESS™

D. CRI

CR90 CRI 90+

E. CCT

CTA30 3000K

CTA35 3500K

CTA40 4000K

F. DIRECT DIFFUSER

DD3 Direct light diffuser

G. INDIRECT DIFFUSER

UDO Not required

UD1 Clear diffuser (Batwing)

H. VOLTAGE

V1 120/277V

¹ Not available in North America.

I. DIMMING

DA01 0-10V Dimming 1.0%

J. SUSPENSION

HLA03 3ft cable suspension

HLA06 6ft cable suspension

HLA09 9ft cable suspension

K. FIXTURE FINISH

FA01 White

FA02 Black Metallic Textured ¹

FA20 Silver Metallic Textured

¹ Black Metallic Textured available with 300 lm/ft and 500 lm/ft only.

L. CANOPY FINISH

CF01 White

CF02 Black Metallic Textured

CF20 Silver Metallic Textured

M. CIRCUITS

CS1 Single circuit

CS2 Dual circuit

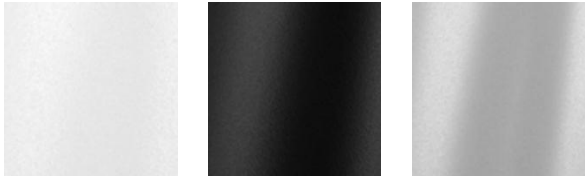
N. EMERGENCY

E0 Not required

E2 Emergency system - remote



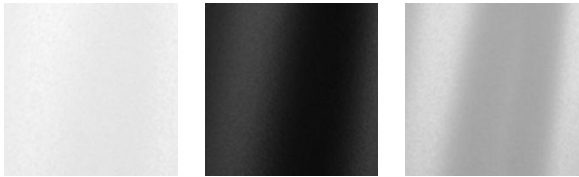
FIXTURE FINISH



White Black Metallic Textured ¹ Silver Metallic Textured

¹ Black Metallic Textured available with 300 lm/ft and 500 lm/ft only.

CANOPY FINISH

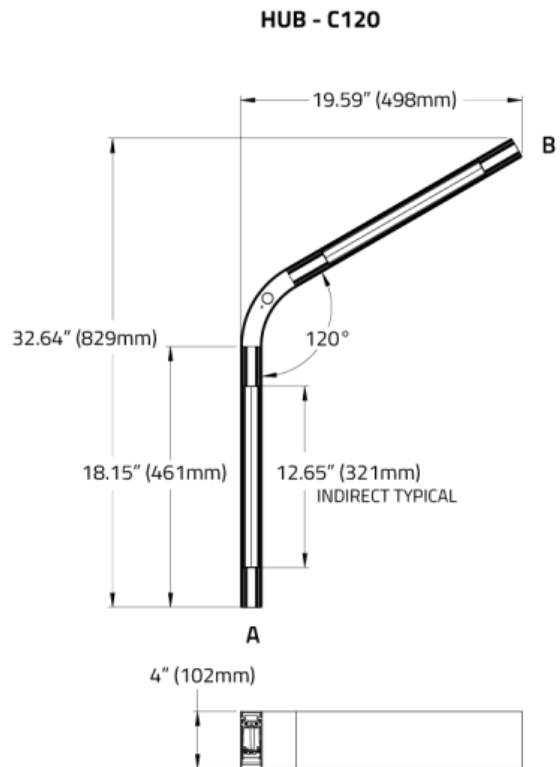
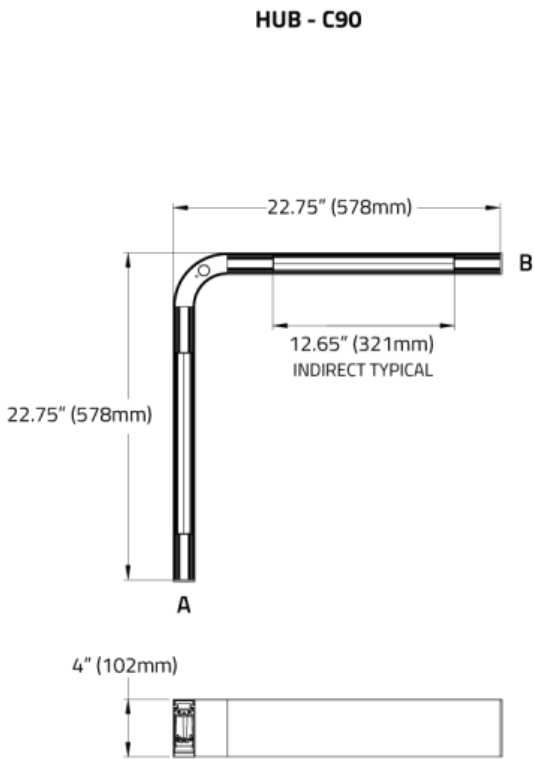
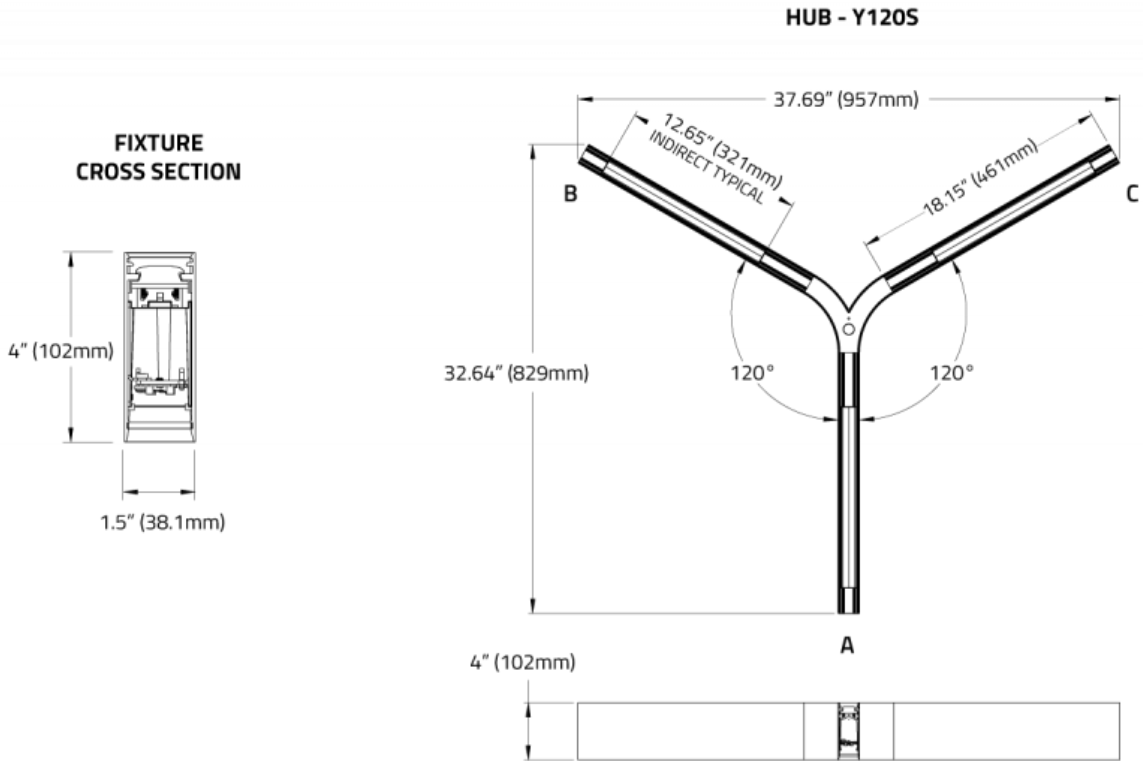


White Black Metallic Textured Silver Metallic Textured

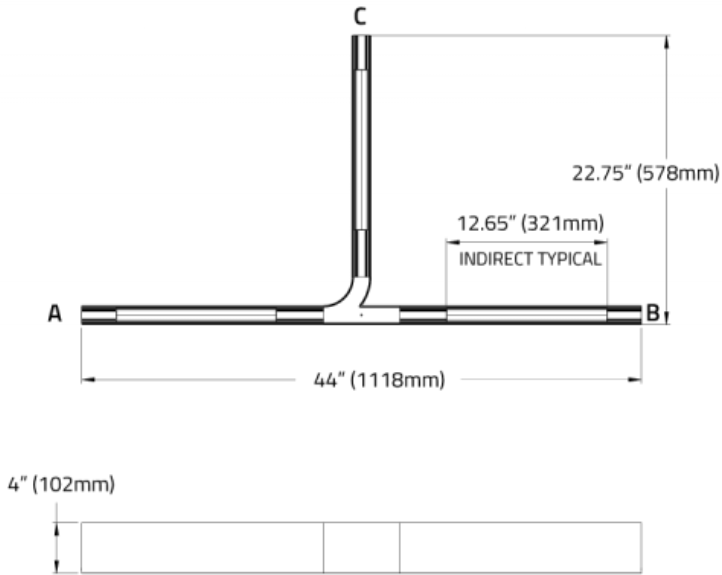
APPROVALS



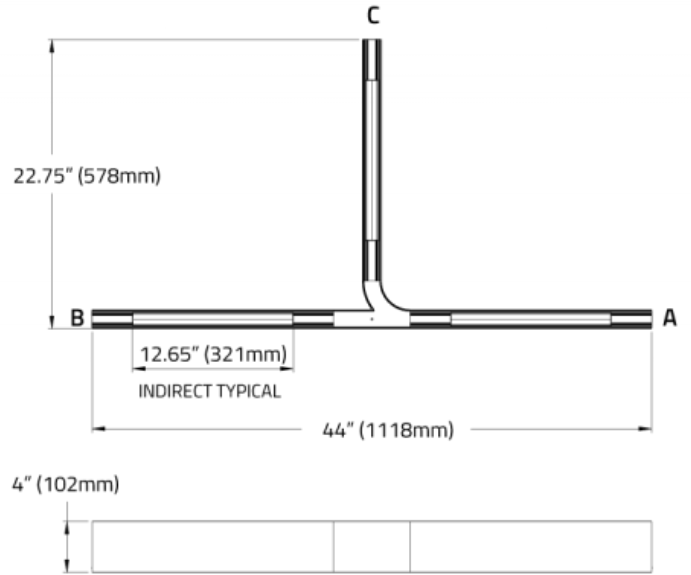
DIMENSIONAL DIAGRAMS



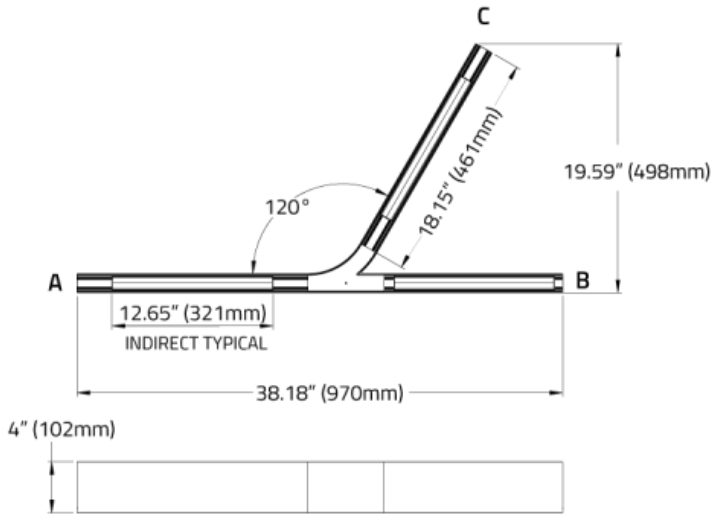
HUB - Y90L



HUB - Y90R



HUB - Y120L



HUB - Y120R

