

Project Name:

Fixture Type:

Fixture Code:

Quantities:





Inspired by the black wooden beams used in old-world bridges, **BRIDGE** adds a bold new element to architectural design. The U-shaped profile ties together interior structures and furnishings. Our innovative light emission design provides glare-free, even illumination with optional indirect light. For a cosmetic accent, the inside trim is available with 4 luxurious finishes. **BRIDGE** is ideal for designs with exposed architectural elements and for spaces that call for low-glare functional lighting.

GENERAL SPECIFICATION

Body

Aluminum.

Suspension

Steel cables.

PoE

Can be integrated into your data network via Power over Ethernet (PoE) connectivity.

Mechanical

Luminaires mount directly over J box (by others).

Integral Emergency system

Emergency option provides a 1.5 hour (3 hours for EU) emergency lighting facility. The self contained system includes the inverter module, NiCad batteries, LED charge indicator and test switch (NA only). Not available with a 347V supply.

Delivered lumens

Delivered lumens & LPW based on 4000K CRI 80+

Design

US Design Patent Pending.

Finish

Powder coated.

Power cable

Silver braided.

Drivers

HPF electronic drivers for 120-277V, 347 (EU-240V).

Diffuser

Opal acrylic.

Reported L70 @25°C (77°F)

> 108,000 hrs @ 1400 lumens/ft (4600 lumens/m)

Approvals

Damp Location (Indoor use only).

Designed by

Serge Cornelissen.

MOUNTING & OPTICS



Suspended Direct



Suspended Direct/Indirect



Bios



PoE

HOW TO ORDER

A. LUMINAIRE

BRID1P Direct

BRID2P Direct/Indirect

One power cord for every 50 linear feet.

B. LENGTH OF RUN

SFA _ _ _ _

Length of run is 4, 6, 8, 10 or 12ft only, not available as a continuous run.

C. LENGTH

SL04 4ft

SL06 6ft

SL08 8ft

SL10 10ft

SL12 12ft

D. DIRECT/INDIRECT DISTRIBUTION

DRO Not required

DR1 65/35 Indirect/Direct Ratio

E. LUMENS/FT

LPF040 400 lm/ft¹

LPF060 600 lm/ft¹

LPF080 800 lm/ft^{1 2}

LPF100 1000 lm/ft²

LPF120 1200 lm/ft²

LPF140 1400 lm/ft²

¹ 100% direct light

² 35% direct light/65% indirect light

F. CRI

CR80 CRI 80+

CR90 CRI 90+

G. CCT

CTA30 3000K

CTA35 3500K

CTA40 4000K

H. VOLTAGE

V1 120/277V

V2 240V¹

V3 347V²

V4 Low Voltage³

¹ Not available in North America.

² Only available with DA01 dimming.

³ Only available with DA45 dimming.

I. DIMMING

DA01 0-10V Dimming 1.0%

DA02 0-10V Dimming 0.1%¹

DA20 DALI Dimming 0.1%¹

DA21 DALI Dimming 1.0%¹

DA30 DSI/switchDim²

DA45 PoE³

¹ Not available with V3.

² Not available in North America.

³ Only available with V4.

J. CEILING TYPE

H1 Hard ceiling ²

G1 Grid ceiling ¹

The cost for the canopies, power cables, connections mechanisms and endcaps for the fixture has been added to these items.

¹ Combo kit provided includes installation to T-bar and through tile mount. Available with remote box only.

² Designed for drywall ceilings.

K. DRIVER BOX

DT01 Integral Recessed

DT02 Remote Box

Grid ceiling available with Remote Box only.

L. SUSPENSION

HLA03 3ft cable suspension

HLA06 6ft cable suspension

HLA09 9ft cable suspension

* Note: Special order available on lengths over 9ft and may be subject to longer lead times, consult factory.

M. FIXTURE FINISH

FA01 White

FA02 Black Metallic - Textured

FA20 Silver Metallic - Textured

N. INSIDE TRIM

FB01 White

FB20 Silver Metallic Textured

FB27 Wood grain - Light Cherry ¹

FB28 Wood grain - Dark Walnut ¹

FB59 Gold Anodized

¹ Longer lead times may apply, consult factory.

O. CANOPY FINISH

CF01 White

CF02 Black Metallic - Textured

CF20 Silver Metallic - Textured

FIXTURE FINISH



White Black Metallic - Textured Silver Metallic - Textured

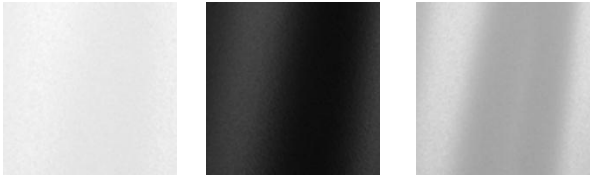
INSIDE TRIM



White Silver Metallic Textured Wood grain - Light Cherry¹ Wood grain - Dark Walnut¹ Gold Anodized

¹ Longer lead times may apply, consult factory.

CANOPY FINISH

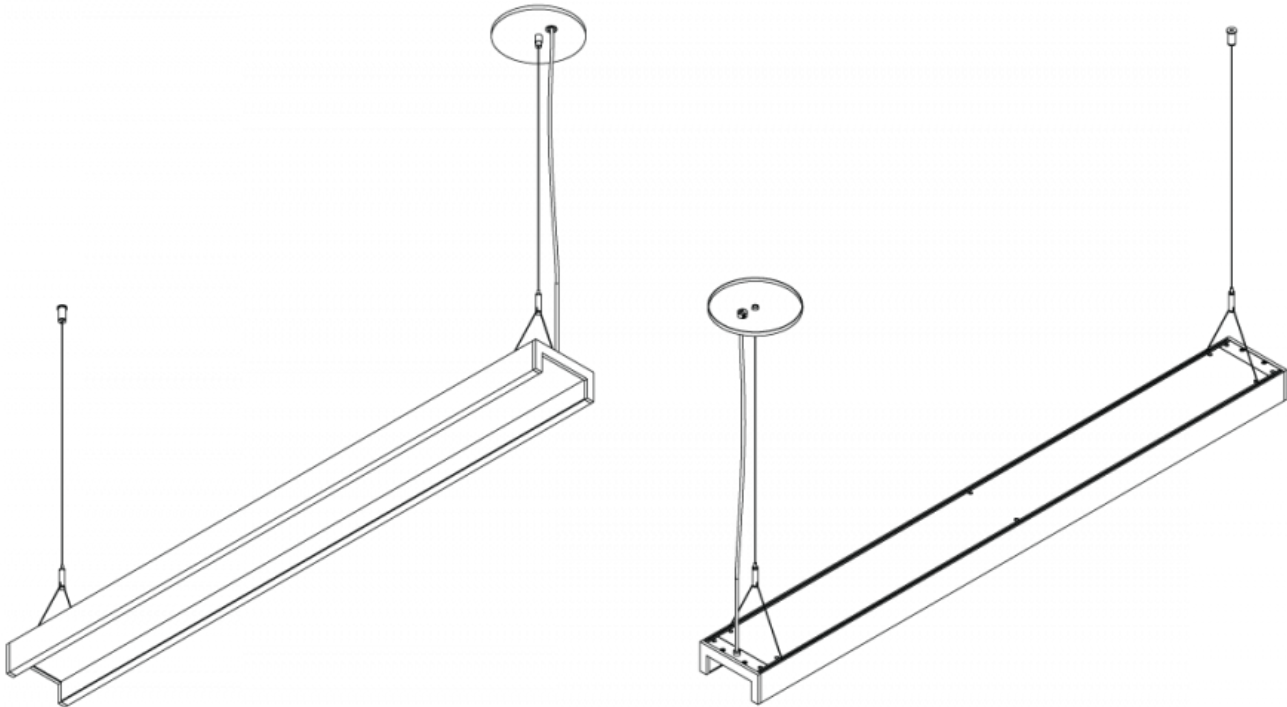
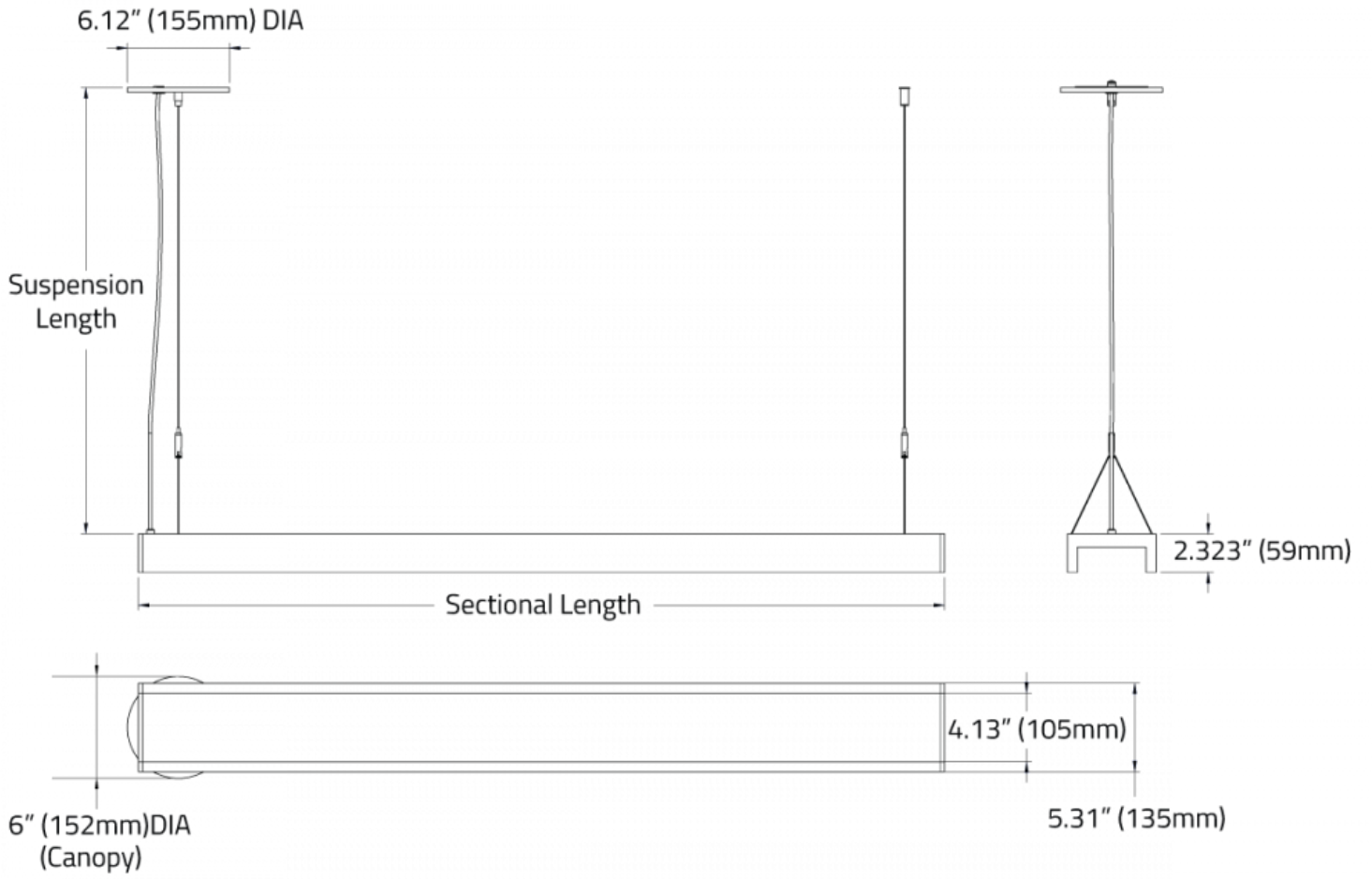


White Black Metallic - Textured Silver Metallic - Textured

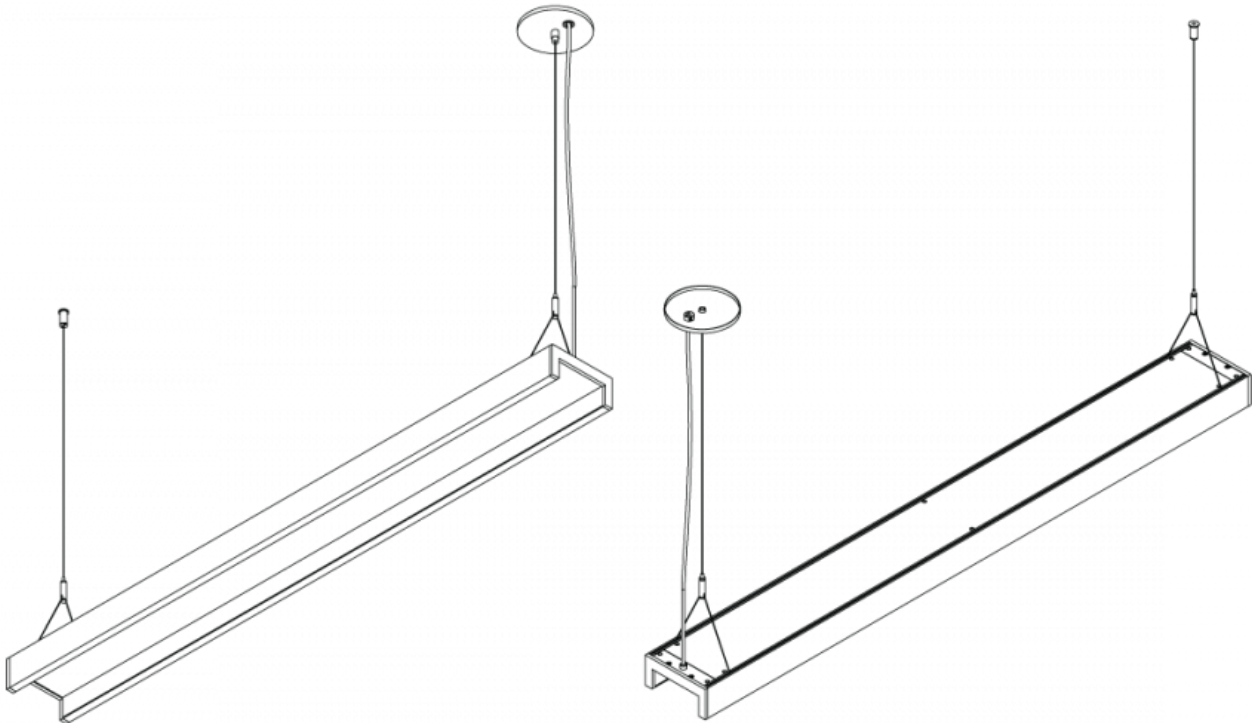
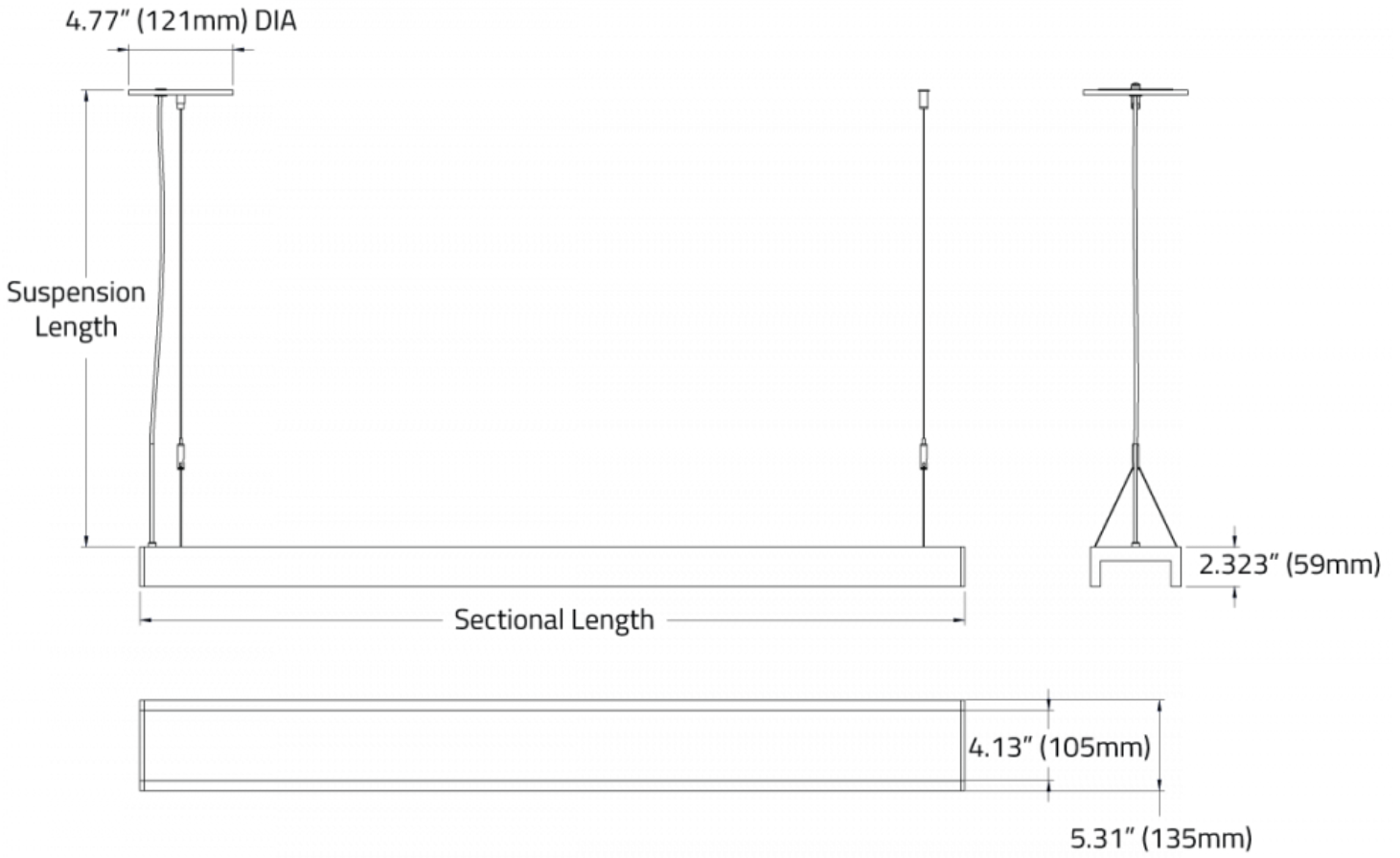
APPROVALS



Integral Recessed



Remote



Integral Recessed Driver Box

