

# POLO™ - SUSPENDED

Project Name:

Fixture Type:

Fixture Code:

Quantities:



POLO™ - SUSPENDED



# POLO™ - SUSPENDED

**Polo™** is a three-sided luminous shape that emits light across both horizontal and vertical planes. It features a highly efficient diffuser which delivers a unique 127 Lumens Per Watt, whilst providing uniform illumination. With its distinct combination of aesthetics and high performance, it can be designed to be the sole light source in any environment. Given its versatility, it can be used in a whole host of contemporary or traditional environments, such as entrances, retail, offices, education and places of worship.

## GENERAL SPECIFICATION

### Body

Aluminum and steel.

### Suspension

Stainless steel cables.

### Remote emergency

Emergency option provides a 1.5 hour (3 hours for EU) emergency lighting facility.

The remote system includes the inverter module, NiCad batteries and a remote wall/ceiling LED charge indicator and test switch (NA only) Maximum distance between wall/ceiling plate and luminaire is 15' (4.5m). Test switch fits a single gang box (not supplied).

### Diffuser

Acrylic.

### PoE

Polo can integrate into your data network via Power over Ethernet (PoE) connectivity.

### L70 @25°C

> 50,000 hrs.

### Approvals

Damp Location (Indoor use only).

### Acoustic Panels Class A Fire Rating

ASTM E-84 material.

### Acoustic Panels Thickness

12mm (0.5").

### Canopy Finish

White Powder coated.

### Power cable

Silver braided.

### Remote mounting of drivers

Wire Size 18 AWG - Max distance (from canopy to drivers) 9.5' (3m), Wire size 16 AWG - Max distance 19.5' (6m), Wire size 14 AWG - Max distance 29.5' (9m).

Drivers must be accessible after installation.

### Drivers

HPF electronic drivers for 120-277V (EU-240V).

### Mechanical

Luminaires mount directly over J box (by others - North America only).

### Delivered lumens

Delivered lumens & LPW based on 4000K CRI 80+.

### Acoustic Panels NRC Rating

0.80.

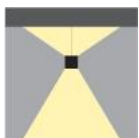
### Acoustic Panels Material

100% recycled polyester fiber (PET).

### Approvals

Damp Rated.

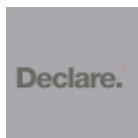
## MOUNTING & OPTICS



Suspended Direct/Indirect



Acoustic



Declare



PoE



# POLO™ - SUSPENDED

## HOW TO ORDER

### A. LUMINAIRE

**PLPD1P02** 24", 8000 lms

**PLPD1P03** 36", 12000 lms

**PLPD1P04** 48", 16000 lms

**PLPD1P05** 60", 22000 lms

All data shown at max output and nominal values.

### B. LUMENS/FT

**LFA050** 500 lm/ft

**LFA065** 650 lm/ft

**LFA100** 1000 lm/ft

**LFA130** 1300 lm/ft

### C. CRI

**CR80** CRI 80+

### D. CCT

**CTA30** 3000K

**CTA35** 3500K

**CTA40** 4000K

### E. VOLTAGE

**V1** 120/277V

**V2** 240V<sup>1</sup>

**V3** 347V<sup>2</sup>

**V4** Low Voltage<sup>3</sup>

<sup>1</sup> Not available in North America.

<sup>2</sup> Available with DA01 dimming only.

<sup>3</sup> To be used with DA45 only.

### F. DIMMING

**DA01** 0-10V Dimming 1.0%

**DA02** 0-10V Dimming 0.1%

**DA20** DALI Dimming 0.1%

**DA21** DALI Dimming 1.0%

**DA30** DSI/switchDim<sup>1</sup>

**DA45** PoE<sup>2</sup>

<sup>1</sup> Not available in North America.

<sup>2</sup> Must be used with V4 only.

### G. SUSPENSION

**SS1** Vertical, Remote driver

**SS2** Hub, Remote driver

**SS3** Vertical, Integral driver

**SS4** Hub, Integral driver

### H. EMERGENCY

**E0** Not required

**E2** Emergency system - Remote

Integral emergency not available.

### I. ACOUSTIC PANEL COLOR

**AP00** Not required

**AP04** White

**AP13** Apple Green

**AP22** Blue

**AP11** Light Gray

**AP26** Sesame Gray

**AP27** Black

60" available with visible seams, consult factory.

Other finishes available. Consult factory.



# POLO™ - SUSPENDED

## TECHNICAL DATA

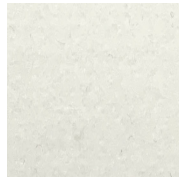
### LUMINAIRE

All data shown at max output and nominal values.

Code	PLPD1P02	PLPD1P03	PLPD1P04	PLPD1P05
Diameter (A)	24"	36"	48"	60"
Wattage	63W	98W	133W	175W
Lms/Ft	1300	1300	1300	1300
Delivered lms	8000	12000	16000	22000
LPW	127	127	127	127
Diameter (B)	15.5"	26.9"	38.7"	51.0"
Depth (D)	4.5"	5.0"	5.0"	5.0"

### ACOUSTIC PANEL COLOR

Not required



White



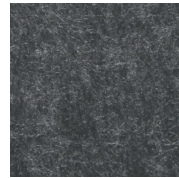
Apple Green



Blue



Light Gray



Sesame Gray



Black

60" available with visible seams, consult factory.

Other finishes available. Consult factory.

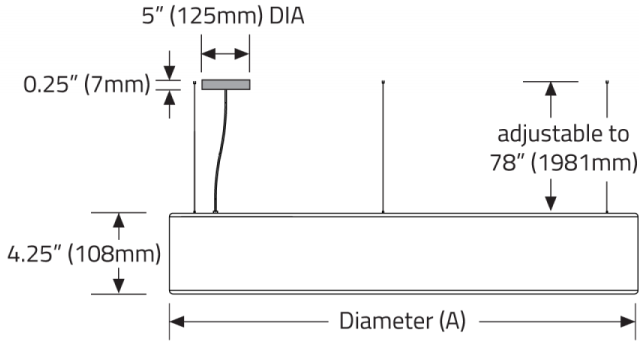
### APPROVALS



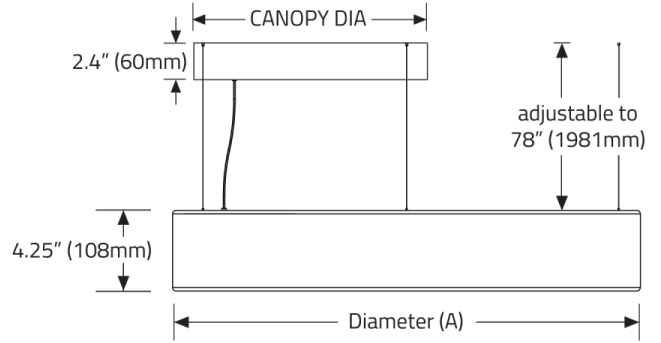
# POLO™ - SUSPENDED

## DIMENSIONAL DIAGRAMS

SS1 VERTICAL, REMOTE DRIVER



SS3 VERTICAL - INTEGRAL DRIVER



**Canopy size: 11" (280MM) DIA:**

- PLPD1P02 (LFA050,LFA065,LFA100,LFA130)
- PLPD1P03 (LFA050,LFA065,LFA100,LFA130)
- PLPD1P04 (LFA050,LFA065)
- PLPD1P05 (LFA050,LFA065)

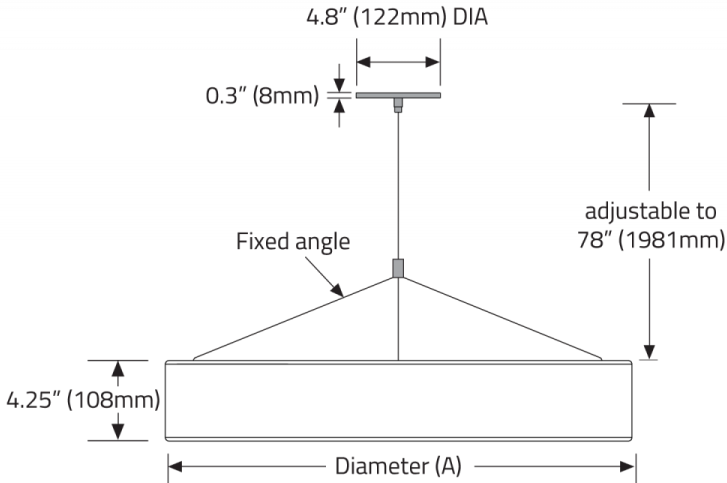
**13.4" (340MM) DIA:**

- PLPD1P04 (LFA100,LFA130)

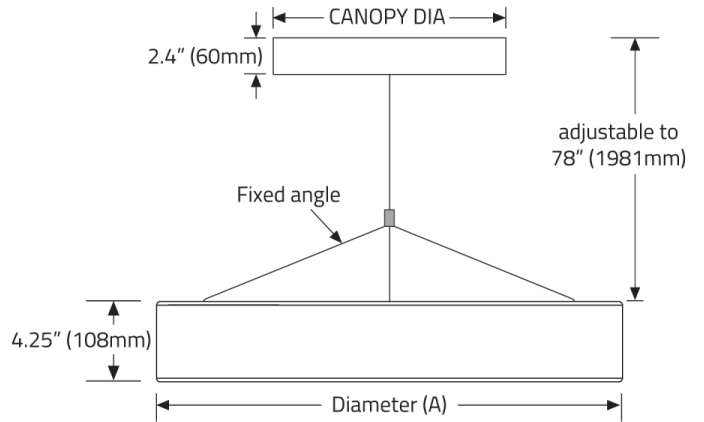
**15.4" (391MM) DIA:**

- PLPD1P05 (LFA100,LFA130)

SS2 HUB - REMOTE DRIVER



SS4 HUB - INTEGRAL DRIVER



**Canopy size: 11" (280MM) DIA:**

- PLPD1P02 (LFA050,LFA065,LFA100,LFA130)
- PLPD1P03 (LFA050,LFA065,LFA100,LFA130)
- PLPD1P04 (LFA050,LFA065)
- PLPD1P05 (LFA050,LFA065)

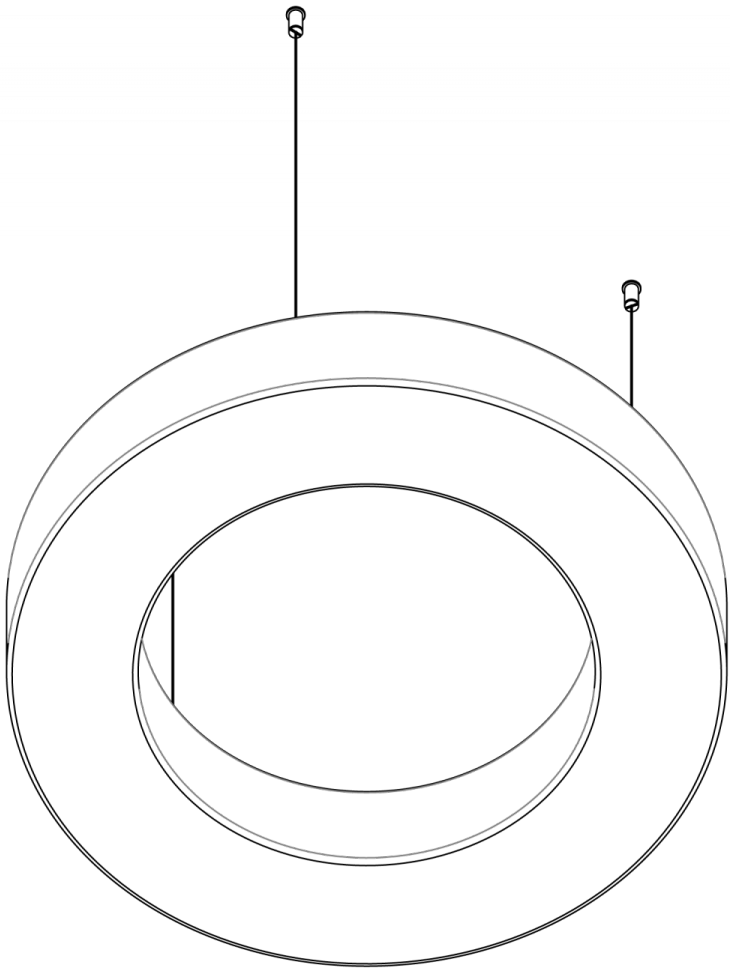
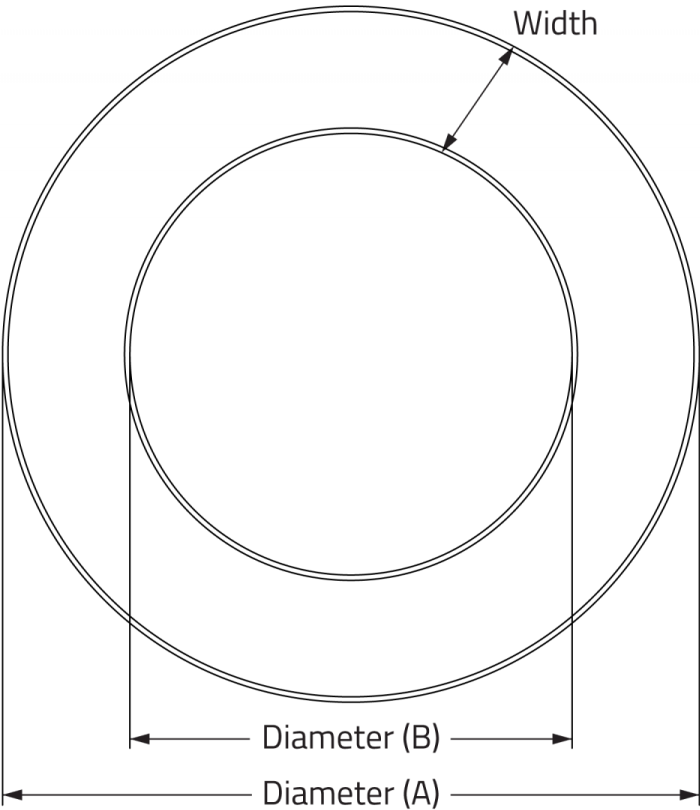
**13.4" (340MM) DIA:**

- PLPD1P04 (LFA100,LFA130)

**15.4" (391MM) DIA:**

- PLPD1P05 (LFA100,LFA130)

**POLO™ - SUSPENDED**



ISOMETRIC VIEW

CODE	DIAMETER (A)	DIAMETER (B)	WIDTH
PLPD1P02	24.5" (622mm)	15.5" (394mm)	4.5" (114mm)
PLPD1P03	36.6" (930mm)	26.9" (683mm)	5" (127mm)
PLPD1P04	48.7" (1237mm)	38.7" (983mm)	5" (127mm)
PLPD1P05	61.3" (1556mm)	51" (1295mm)	5" (127mm)