

RING™ - SUSPENDED

Project Name:

Fixture Type:

Fixture Code:

Quantities:



RING™ - SUSPENDED



Job Name: JT Patterson Labs Building at UT
Specifier: Haddon+Cowan Architects/EEE Consulting
Photographer: Brian Mihealsick, Austin Architectural Photography.

RING™ - SUSPENDED

No shape evokes the feeling of harmony, community, and perfection as the circle. The closed curve of **RING** draws warmth from any space or brings a sense of movement, power, and energy, especially when clustered and cascaded into remarkable configurations. Diameters range from 2 to 18 feet with optional indirect light to add a halo effect.

RING is available in 12 finishes which were selected based on their versatility to a variety of color schemes. Metallic sheens balance out the functional forms with elegance. The wood finishes ground the space with a feeling of warmth.

For sound comfort, RING is available with an acoustic panel up to 8' and complementing non-illuminating panels. Acoustic panels are designed to absorb echo and reverberation associated with open-concept spaces, exposed concrete, open ceilings, and large windows.

GENERAL SPECIFICATION

Body and trim

Steel and aluminum.

Power cable

Silver braided.

Integral Emergency system

Emergency option provides a 1.5 hour (3 hours for EU) emergency lighting facility. The self-contained system includes the inverter module, NiCad batteries, LED charge indicator and test switch (NA only). Not available with a 347V supply.

Mechanical

Luminaires mount directly over J box (by others - North America only).

Suspension

Steel cables. Recommended minimum mounting heights: 305mm/12" for White LEDs and 610mm/24" for Colored LEDs (Only for Direct/Indirect). Maximum angle tilt 5°.

Delivered Lumens

Delivered lumens & LPW based on 4000K (min 80 CRI) for White LEDs only.

Approvals

Damp Rated.

Finish

Powder coated.

Diffusers

Opal polycarbonate direct/Clear polycarbonate indirect, supplied in sections.

PoE

Ring can integrate into your data network via Power over Ethernet (PoE) connectivity.

Drivers

Integral, HPF electronic drivers for 120-277V (EU-240V).

Drivers: RGBW

Integral HPF electronic drivers/DMX interfaces for 120-277V (EU-240V). Luminaires require a DMX controller by others.

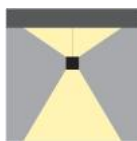
L70 @25°C (77°F)

> 50,000 hrs.

MOUNTING & OPTICS



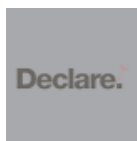
Suspended Direct



Suspended Direct/Indirect



RGBW



Declare



PoE

RING™ - SUSPENDED

HOW TO ORDER

A. LUMINAIRE

RNGP1P02 2ft, Direct, 6000 lms Direct	RNGP1P03 3ft, Direct, 10000 lms Direct	RNGP1P04 4ft, Direct, 14000 lms Direct	RNGP1P05 5ft, Direct, 18000 lms Direct
RNGP1P06 6ft, Direct, 21000 lms Direct	RNGP1P07 7ft, Direct, 26000 lms Direct	RNGP1P08 8ft, Direct, 26000 lms Direct	RNGP1P09 9ft, Direct, 32000 lms Direct
RNGP1P12 12ft, Direct, 42000 lms Direct	RNGP1P18 18ft, Direct, 67000 lms Direct	RNGP2P02 2ft, Direct/Indirect, 6000 lms Direct, 3000 lms Indirect	RNGP2P03 3ft, Direct/Indirect, 10000 lms Direct, 5000 lms Indirect
RNGP2P04 4ft, Direct/Indirect, 14000 lms Direct, 5000 lms Indirect	RNGP2P05 5ft, Direct/Indirect, 18000 lms Direct, 9000 lms Indirect	RNGP2P06 6ft, Direct/Indirect, 21000 lms Direct, 9000 lms Indirect	RNGP2P07 7ft, Direct/Indirect, 26000 lms Direct, 14000 lms Indirect
RNGP2P08 8ft, Direct/Indirect, 26000 lms Direct, 15000 lms Indirect	RNGP2P09 9ft, Direct/Indirect, 32000 lms Direct, 16000 lms Indirect	RNGP2P12 12ft, Direct/Indirect, 42000 lms Direct, 21000 lms Indirect	RNGP2P18 18ft, Direct/Indirect, 67000 lms Direct, 38000 lms Indirect

All data shown is based on white LEDs only. See Performance Data page for all information including RGBW.
RNGP2P18 must be ordered with CS2 (dual circuits) option will be c/w 2 power cords and 1 canopy.
Recommended minimum suspension length: 12" (305mm) for white LEDs and 24" (610mm) for RGBW.

B. LM/FT (DIRECT)

LPF055 550 lm/ft ¹	LPF082 825 lm/ft ²	LPF110 1100 lm/ft ³
--------------------------------------	--------------------------------------	---------------------------------------

¹ Based on 50% of total output.

² Based on 75% of total output.

³ 100% of total output.

Total lumens = lumens/ft x diameter x 3.14159

C. LM/FT (INDIRECT)

LPG000 Not required	LPG027 275 lm/ft ¹	LPG041 410 lm/ft ²	LPG055 550 lm/ft ³
----------------------------	--------------------------------------	--------------------------------------	--------------------------------------

¹ Based on 50% of total output.

² Based on 75% of total output.

³ 100% of total output.

D. CRI

CR80 CRI 80+

E. CCT (DIRECT)

CTA30 3000K	CTA35 3500K	CTA40 4000K	CTA50 RGBW
--------------------	--------------------	--------------------	-------------------

F. CCT (INDIRECT)

CTB00 Not required	CTB30 3000K	CTB35 3500K	CTB40 4000K
CTB50 RGBW			

G. UPLIGHT DIFFUSER

UD0 Not required	UD1 Clear diffuser	UD2 Opal diffuser ¹
-------------------------	---------------------------	---------------------------------------

¹ 10% reduction on indirect lumens.

H. VOLTAGE

V1 120/277V	V2 240V ¹	V3 347V ²	V4 Low Voltage ³
--------------------	-----------------------------	-----------------------------	------------------------------------

¹ V2 not available in North America.

² V3 available with DA01 & DB01 dimming only.

³ V4 available with DA45 & DB45 dimming only.



RING™ - SUSPENDED

I. DIMMING (DIRECT)

DA01 0-10V Dimming 1.0%	DA02 0-10V Dimming 0.1% ¹	DA20 DALI Dimming 0.1% ¹	DA21 DALI Dimming 1.0% ¹
DA30 DSI/switchDim ^{1 2}	DA40 DMX Dimming ¹	DA45 PoE ³	

¹ Not available with V3 or V4.

² DA30 not available in North America

³ DA45 used V4 only.

J. DIMMING (INDIRECT)

DB00 Not required	DB01 0-10V Dimming 1.0%	DB02 0-10V Dimming 0.1% ¹	DB20 DALI Dimming 0.1% ¹
DB21 DALI Dimming 1.0% ¹	DB30 DSI/switchDim ¹	DB40 DMX Dimming ¹	DB45 PoE ^{1 3}

¹ Not available with V3.

² DB30 not available in North America.

³ DB45 used with DA45 and V4 only.

K. SUSPENSION

SS1 Vertical, Integral driver	SS2 Hub, Integral driver
--------------------------------------	---------------------------------

¹ SS2 not available for diameters of 144" (3657mm) or larger.

L. FIXTURE FINISH

FA01 White	FA02 Black Metallic - Textured	FA20 Silver Metallic - Textured	FA25 Gold Metallic
FA27 Wood grain - Light Cherry	FA28 Wood grain - Dark Walnut	FA44 Midnight Blue Metallic - Textured	FA45 Copper Metallic
FA46 Charcoal Metallic - Textured	FA47 Bronze Metallic - Textured	FA52 Champagne Metallic	FA53 Red Metallic - Textured

¹ Longer than normal lead times may apply, consult factory.

M. CANOPY FINISH

CF01 White	CF02 Black Metallic - Textured	CF20 Silver Metallic - Textured	CF25 Gold Metallic
CF44 Midnight Blue Metallic - Textured	CF45 Copper Metallic	CF46 Charcoal Metallic - Textured	CF47 Bronze Metallic - Textured
CF52 Champagne Metallic	CF53 Red Metallic - Textured		

N. ACOUSTIC PANEL FINISH

AP00 Not required	AP04 White	AP13 Apple Green	AP22 Blue
AP11 Light Gray	AP26 Sesame Gray	AP27 Black	

Acoustic panels are not available for sizes of 108" and larger.

For accompanying non-illuminating acoustic panels see our Acoustic Circles, Quads, Triangles and Ellipse spec pages.

Other finishes available. Consult factory.

O. EMERGENCY

E0 Not required	E1 Emergency system - Integral ¹	E2 Emergency system - Remote ²
------------------------	--	--

¹ Direct illumination only, not available with 347V.

² Not available with 347V.



RING™ - SUSPENDED

P. CIRCUITS

CS1 Single circuit

CS2 Dual circuit ^{1 2}

¹ RNGP2P18 will be c/w 2 power cords and 1 canopy.

² When ordering with Remote emergency (E2), fixture will be c/w 2 power cords.

Q. CONTROLS

CO Not required

C1 Encelium/Zigbee control



RING™ - SUSPENDED

TECHNICAL DATA

RING™ - SUSPENDED

LUMINAIRE

All data shown is based on white LEDs only. See Performance Data page for all information including RGBW.

RNGP2P18 must be ordered with CS2 (dual circuits) option will be c/w 2 power cords and 1 canopy.

Recommended minimum suspension length: 12" (305mm) for white LEDs and 24" (610mm) for RGBW.

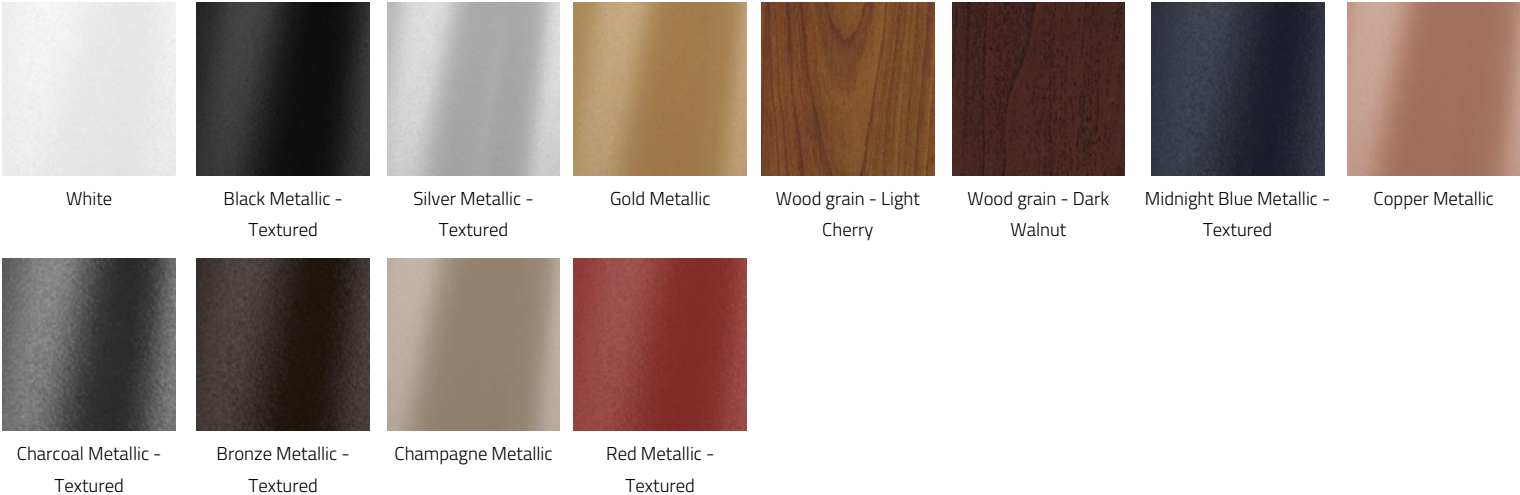
Code	RNGP1P02	RNGP1P03	RNGP1P04	RNGP1P05	RNGP1P06	RNGP1P07
Dia. (A)	2ft	3ft	4ft	5ft	6ft	7ft
Light Direction	Direct	Direct	Direct	Direct	Direct	Direct
Wattage	65W	101W	138W	180W	216W	260W
Direct lms	6000	10000	14000	18000	21000	26000
Indirect lms						
Down/Up Ratio	100/0	100/0	100/0	100/0	100/0	100/0
LPW	100	100	99	99	99	100
Height (B)	6"	6"	7"	13"	17"	21"
# of Sections	1	1	1	1	1	1
Suspension Points	3	3	3	3	3	6
Weight	18lb	26lb	35lb	42lb	52lb	60lb
Code	RNGP1P08	RNGP1P09	RNGP1P12	RNGP1P18	RNGP2P02	RNGP2P03
Dia. (A)	8ft	9ft	12ft	18ft	2ft	3ft
Light Direction	Direct	Direct	Direct	Direct	Direct/Indirect	Direct/Indirect
Wattage	281W	325W	432W	692W	87W	144W
Direct lms	26000	32000	42000	67000	6000	10000
Indirect lms					3000	5000
Down/Up Ratio	100/0	100/0	100/0	100/0	70/30	65/35
LPW	96	98	96	98	106	107
Height (B)	30"	35"			6"	6"
# of Sections	3	3	4	6	1	1
Suspension Points	6	6	8	12	3	3
Weight	69lb	75lb	102lb	152lb	18lb	26lb
Code	RNGP2P04	RNGP2P05	RNGP2P06	RNGP2P07	RNGP2P08	RNGP2P09
Dia. (A)	4ft	5ft	6ft	7ft	8ft	9ft
Light Direction	Direct/Indirect	Direct/Indirect	Direct/Indirect	Direct/Indirect	Direct/Indirect	Direct/Indirect
Wattage	180W	252W	302W	375W	368W	454W
Direct lms	14000	18000	21000	26000	26000	32000
Indirect lms	5000	9000	9000	14000	15000	16000
Down/Up Ratio	70/30	65/35	70/30	65/35	65/35	65/35
LPW	105	107	106	107	106	106
Height (B)	7"	13"	17"	21"	30"	30"
# of Sections	1	1	1	1	3	3
Suspension Points	3	3	3	6	6	6
Weight	35lb	42lb	52lb	60lb	69lb	75lb
Code	RNGP2P12	RNGP2P18				
Dia. (A)	12ft	18ft				
Light Direction	Direct/Indirect	Direct/Indirect				
Wattage	605W	995W				



RING™ - SUSPENDED

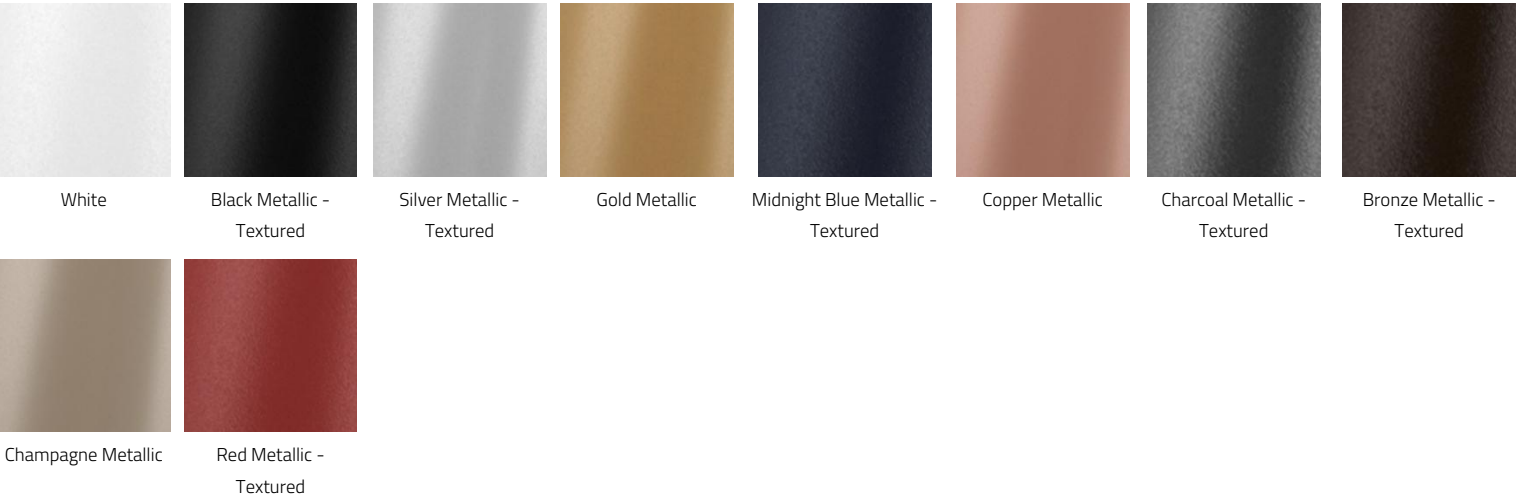
Code	RNGP2P12	RNGP2P18
Direct lms	42000	67000
Indirect lms	21000	38000
Down/Up Ratio	65/35	65/35
LPW	104	106
Height (B)		
# of Sections	4	6
Suspension Points	8	12
Weight	102lb	152lb

FIXTURE FINISH



¹ Longer than normal lead times may apply, consult factory.

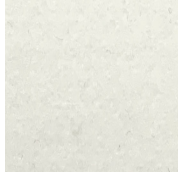
CANOPY FINISH



RING™ - SUSPENDED

ACOUSTIC PANEL FINISH

Not required



White



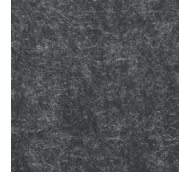
Apple Green



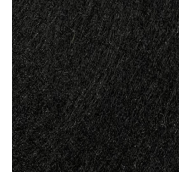
Blue



Light Gray



Sesame Gray



Black

Acoustic panels are not available for sizes of 108" and larger.

For accompanying non-illuminating acoustic panels see our Acoustic Circles, Quads, Triangles and Ellipse spec pages.

Other finishes available. Consult factory.

APPROVALS



DAMP
LOCATION

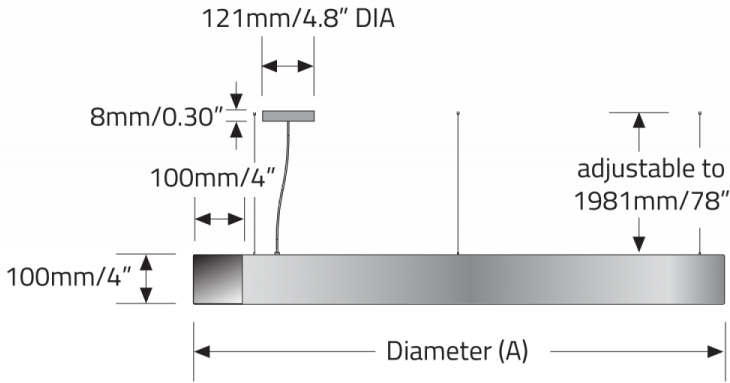


IP20

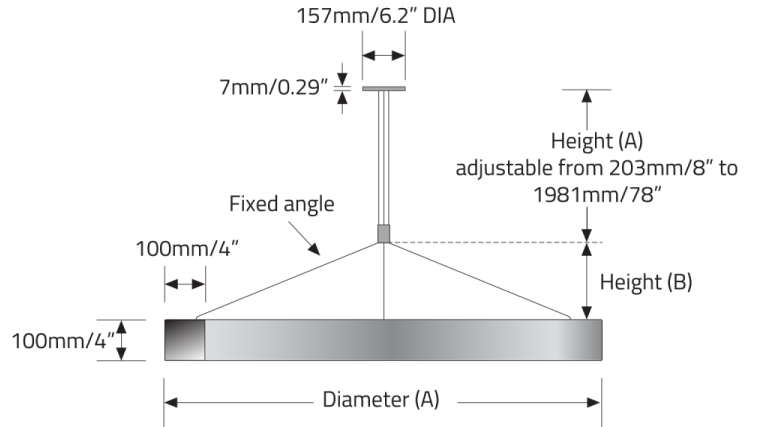
RING™ - SUSPENDED

DIMENSIONAL DIAGRAMS

Vertical, Integral Driver (SS1)



Hub, Integral Driver (SS2)



Direct: Not available with 3657mm/144" DIA or larger.

Direct/Indirect: Not available with 3657mm/144" DIA or larger.

RGBW / DMX canopy

