

MICRO TRIANGLE II™ - SUSPENDED

Project Name:

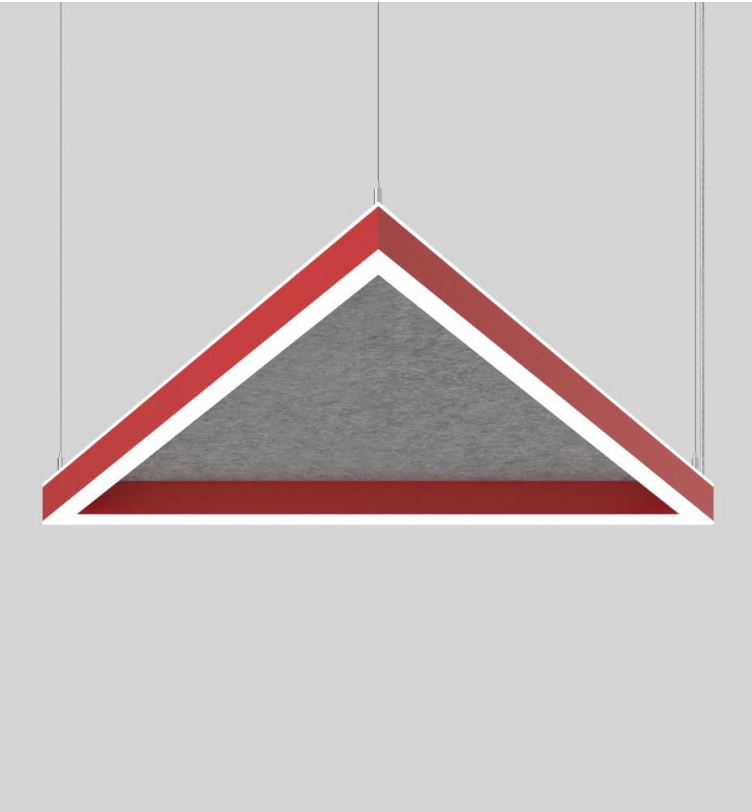
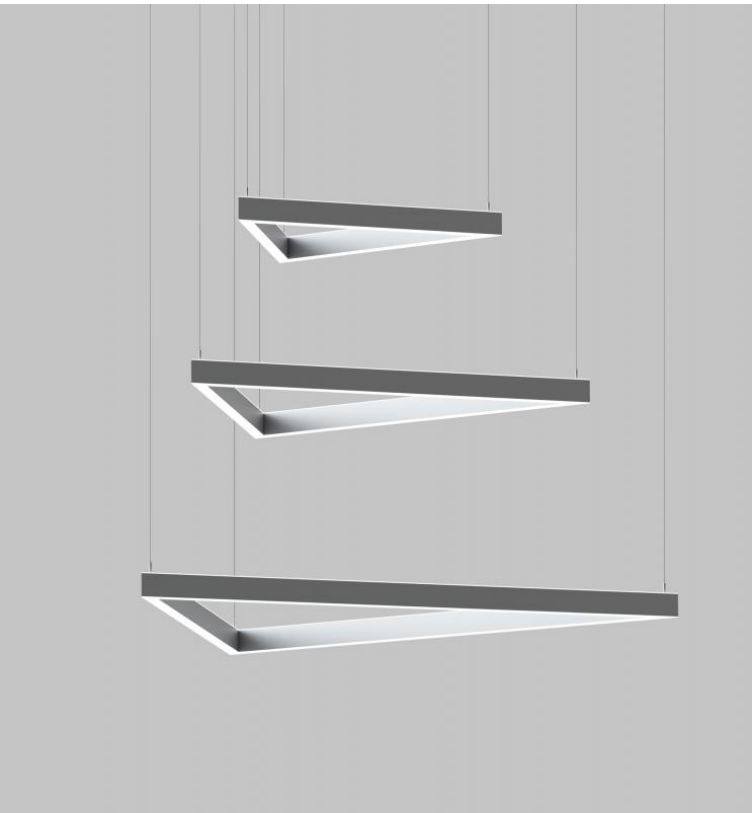
Fixture Type:

Fixture Code:

Quantities:



MICRO TRIANGLE II™ - SUSPENDED



MICRO TRIANGLE II™ - SUSPENDED

The triangle shape is a powerful way to create an edgy and energetic aesthetic. With a super-slim 1" profile and 5 sizes ranging from 2' to 6', **MICRO TRIANGLE II** is ideal for offsetting symmetrical layouts. The light emission is direct only or direct/indirect and can be coordinated with MICRO TRIANGLE SE which emits light from the inner side of the frame. For sound comfort, MICRO TRIANGLE II is available with an acoustic panel designed to absorb echo and reverberation associated with open-concept spaces, exposed concrete, open ceilings, and large windows. For a whimsical style, combine MICRO TRIANGLE with MICRO RING or MICRO QUAD.

GENERAL SPECIFICATION

Body

Aluminum, Equilateral Triangle

Suspension

Stainless steel cables.

Remote Mounting Of Drivers

Wire size 18 AWG - max distance (from fixture to drivers) 40', wire size 16 AWG - max distance 60', wire size 14 AWG - max distance 90'. Drivers must be accessible after installation.

Drivers

HPF electronic drivers for 120-277V (EU-240V).

Diffusers

Frosted acrylic.

Delivered Lumens

Delivered lumens & LPW based on 4000K (min 80 CRI) for White LEDs only.

Approvals

Damp Rated.

Finish

Powder coated for standard finishes (black, Silver Metallic & white). For wood grain finishes the canopy will be white.

Power cable

Silver braided.

PoE

Micro Triangle II can integrate into your data network via Power over Ethernet (PoE) connectivity.

Mechanical

Luminaires mount directly over J box (by others - North America only).

L70 @25°C (77°F)

> 60,000 hrs.

CRI

Fixture supplied at 80 CRI, 90 CRI available upon request.

MOUNTING & OPTICS



Suspended Direct



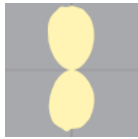
Suspended Direct/Indirect



Acoustic



Direct



Direct-indirect



Declare



PoE



MICRO TRIANGLE II™ - SUSPENDED

HOW TO ORDER

A. LUMINAIRE

984010 24", Direct, 2553 lms	984020 36", Direct, 3885 lms	984030 48", Direct, 5143 lms	984040 60", Direct, 6472 lms
984050 72", Direct, 7771 lms	984110 24", Direct/Indirect, 5245 lms	984120 36", Direct/Indirect, 7867 lms	984130 48", Direct/Indirect, 10415 lms
984140 60", Direct/Indirect, 13104 lms	984150 72", Direct/Indirect, 15734 lms		

B. CCT/COLOR (DIRECT)

D27 2700K (min 80 CRI) ¹	D30 3000K (min 80 CRI)	D35 3500K (min 80 CRI)	D40 4000K (min 80 CRI)
DRD Red	DGN Green	DBL Blue	

CR90 (CRI 90+) available upon request, consult factory.
¹ Longer than normal lead times may apply, consult factory.

C. CCT/COLOR (INDIRECT)

N27 2700K (min 80 CRI) ¹	N30 3000K (min 80 CRI)	N35 3500K (min 80 CRI)	N40 4000K (min 80 CRI)
NRD Red	NGN Green	NBL Blue	

CR90 (CRI 90+) available upon request, consult factory.
¹ Longer than normal lead times may apply, consult factory.

D. SUSPENSION

S1 Vertical, Remote Driver	S2 Hub, Remote Driver (48" dia. max)	S3 Vertical, Integral Driver (not available with 98 4150)	S4 Hub, Integral Driver (48" dia. max)
S6 Power over Aircraft Cable, Vertical, Remote Driver (max 60W), 72" long max			

S6 Option available in North America only.

E. DIMMING (REMOTE ONLY)

D1 0-10V Dimming 1.0%	D10 0-10V Dimming 10.0%	D4 DALI Dimming 0.1%	D5 DALI Dimming 1.0%
DA45 PoE			

984140 & 984150 is not available with the combination of DALI and S3, S4, or S6 suspension.
984010, 984020 & 984030 available with the combination of DALI and S6 suspension.
DA45 must be used with EV only.

F. FINISH

WH White	BL Black Metallic Textured	MS Silver Metallic Textured	Z1 Wood Grain - Light Cherry ¹
Z2 Wood Grain - Dark Walnut ¹			

Note: The canopy will be white for fixtures with the wood grain finishes Z1 or Z2
¹ Longer than normal lead times may apply, consult factory.

G. LUMEN & WATTAGE REDUCTION

PRO Lumen & Wattage Reduction to approximately 25% of standard output	PR1 Lumen & Wattage Reduction to approximately 50% of standard Output	PR2 Lumen & Wattage Reduction to approximately 75% of standard output
--	--	--

PRO not available for 984010. Note: Custom reduction percentages available upon request.

MICRO TRIANGLE II™ - SUSPENDED

H. ACOUSTIC PANEL COLOR

AP00 Not required

AP04 White

AP13 Apple Green

AP22 Blue

AP11 Light Gray

AP26 Sesame Gray

AP27 Black

Available up to 48". Larger sizes available with visible seams, consult factory.

Volume Discounts are available on all acoustic products, contact the factory for a quote.

For accompanying non-illuminating acoustic panels see our Acoustic Circles, Quads and Triangles spec pages.

Other finishes available. Consult factory.

I. OPTIONAL LOW VOLTAGE

EV Low Voltage

To be used with DA45 only.



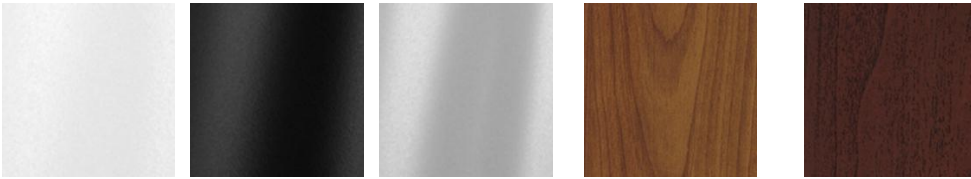
MICRO TRIANGLE II™ - SUSPENDED

TECHNICAL DATA

LUMINAIRE

Code	984010	984020	984030	984040	984050	984110
Length	24"	36"	48"	60"	72"	24"
Power (LED)	20W	30W	40W	50W	60W	40W
Light Direction	Direct	Direct	Direct	Direct	Direct	Direct/Indirect
Delivered lms	2553	3885	5143	6472	7771	5245
LPW	128	130	129	129	130	131
Code	984120	984130	984140	984150		
Length	36"	48"	60"	72"		
Power (LED)	60W	80W	100W	120W		
Light Direction	Direct/Indirect	Direct/Indirect	Direct/Indirect	Direct/Indirect		
Delivered lms	7867	10415	13104	15734		
LPW	131	130	131	131		

FINISH



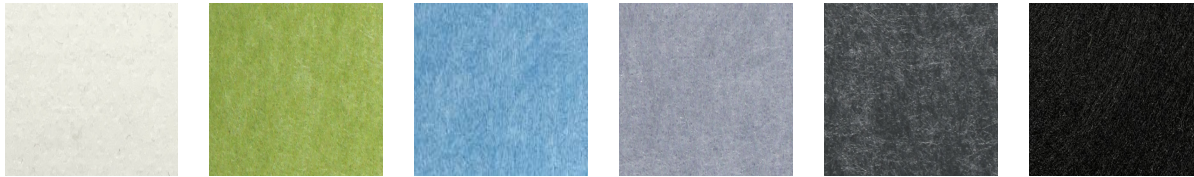
White Black Metallic Textured Silver Metallic Textured Wood Grain - Light Cherry¹ Wood Grain - Dark Walnut¹

Note: The canopy will be white for fixtures with the wood grain finishes Z1 or Z2

¹ Longer than normal lead times may apply, consult factory.

ACOUSTIC PANEL COLOR

Not required



White Apple Green Blue Light Gray Sesame Gray Black

Available up to 48". Larger sizes available with visible seams, consult factory.

Volume Discounts are available on all acoustic products, contact the factory for a quote.

For accompanying non-illuminating acoustic panels see our Acoustic Circles, Quads and Triangles spec pages.

Other finishes available. Consult factory.

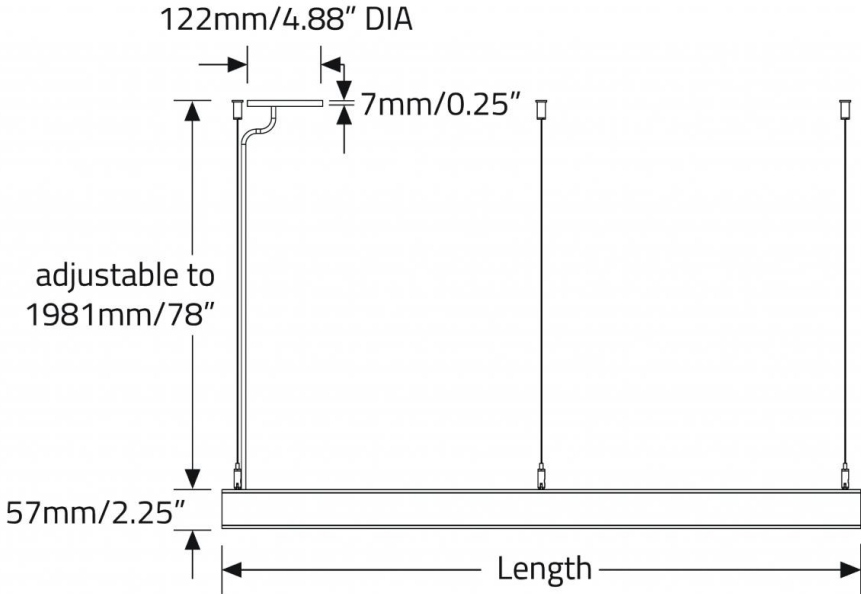
APPROVALS



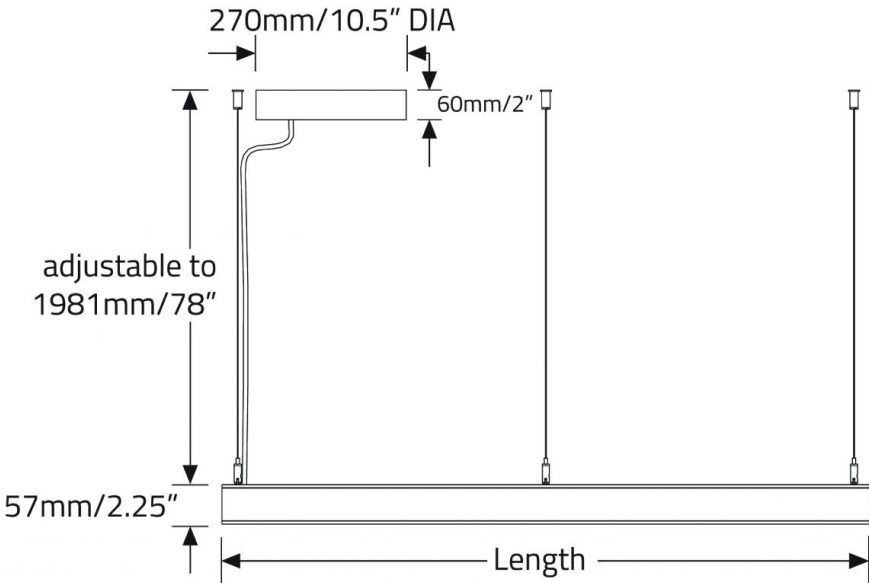
MICRO TRIANGLE II™ - SUSPENDED

DIMENSIONAL DIAGRAMS

S1 VERTICAL - REMOTE DRIVER

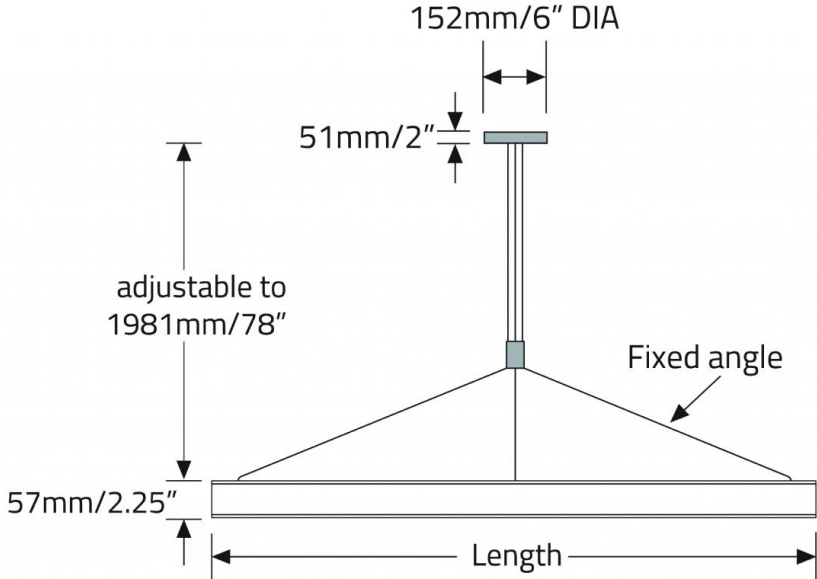


S3 VERTICAL - INTEGRAL DRIVER



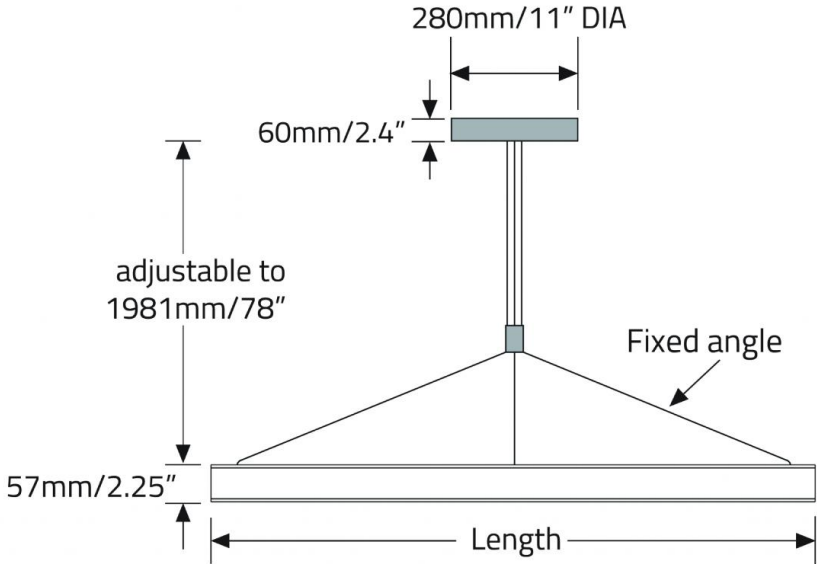
MICRO TRIANGLE II™ - SUSPENDED

S2 HUB - REMOTE DRIVER



Direct: Available up to 1219mm/48" DIA only.
Direct/Indirect: Available up to 1219mm/48" DIA only.

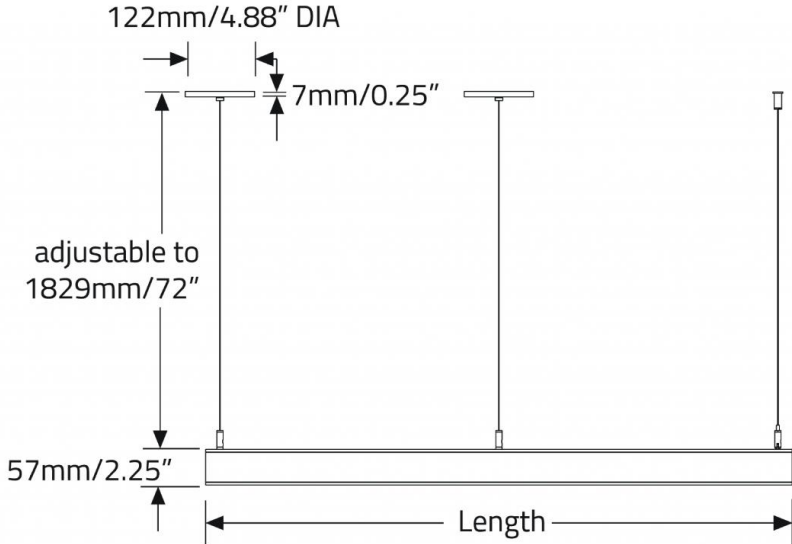
S4 HUB - INTEGRAL DRIVER



Direct: Available up to 1219mm/48" DIA only.
Direct/Indirect: Available up to 1219mm/48" DIA only.

MICRO TRIANGLE II™ - SUSPENDED

S6 VERTICAL - REMOTE DRIVER



Power Over Aircraft Cable

