

MICRO RING INDIRECT™ - SUSPENDED

Project Name:

Fixture Type:

Fixture Code:

Quantities:



MICRO RING INDIRECT™ - SUSPENDED



MICRO RING INDIRECT™ - SUSPENDED

With a super slim profile and 6 diameters ranging from 2' to 7', **MICRO RING INDIRECT** is ideal for creating sizable multi-tiered circular arrangements. The ring emits indirect light only and can be coordinated with 5 other emission options in the MICRO RING family for creating light layers. Buoyant and energetic, MICRO RING INDIRECT is just as impactful as a single standalone piece, especially with the halo effect created from the uplight. For sound comfort, MICRO RING INDIRECT is available with an acoustic panel designed to absorb echo and reverberation associated with open-concept spaces, exposed concrete, open ceilings, and large windows.

GENERAL SPECIFICATION

Body and trim

Aluminum.

Suspension

Stainless steel cables.

Remote Emergency

Emergency option provides a 1.5 hour (3 hours for EU) emergency lighting facility. The remote system includes the inverter module, NiCad batteries and a remote wall/ceiling LED charge indicator and test switch (NA only) Maximum distance between wall/ceiling plate and luminaire is 4.5m/15'. Test switch fits a single gang box (not supplied).

PoE

Micro Ring Indirect can integrate into your data network via Power over Ethernet (PoE) connectivity.

Diffuser

Protruding Lens (2.1mm/0.08").

L70 @25°C (77°F)

> 60,000 hrs.

CRI

Fixture supplied at 80 CRI, 90 CRI available upon request.

Finish

Powder coated.

Power cable

Silver braided.

Remote Mounting Of Drivers

Wire size 18 AWG - max distance (from fixture to drivers) 40', wire size 16 AWG - max distance 60', wire size 14 AWG - max distance 90'. Drivers must be accessible after installation. .

Mechanical

Luminaires mount directly over J box (by others - North America only).

Drivers

HPF electronic drivers for 120-277V.

Delivered Lumens

Delivered lumens & LPW based on 4000K (min 80 CRI) for White LEDs only.

Approvals

Damp Rated.

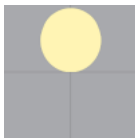
MOUNTING & OPTICS



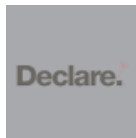
Suspended Indirect



Acoustic



Indirect



Declare



PoE



MICRO RING INDIRECT™ - SUSPENDED

HOW TO ORDER

A. LUMINAIRE

954126 24", 2321 lms
954172 72", 6633 lms

954136 36", 3234 lms
954184 84", 7874 lms

954148 48", 4147 lms

954160 60", 5624 lms

B. CCT/COLOR

27 2700K (min 80 CRI) ¹
RD Red

30 3000K (min 80 CRI)
GN Green

35 3500K (min 80 CRI)
BL Blue

40 4000K (min 80 CRI)

CR90 (CRI 90+) available upon request, consult factory.

¹ Longer than normal lead times may apply, consult factory.

C. DIMMING (REMOTE ONLY)

D1 0-10V Dimming 1.0%
DA45 PoE

D10 0-10V Dimming 10.0%

D4 DALI Dimming 0.1%

D5 DALI Dimming 1.0%

DA45 must be used with EV only.

D. SUSPENSION

S1 Vertical, Remote Driver

S2 Hub, Remote Driver (available up to 60" dia.)

S3 Vertical, Integral Driver

S4 Hub, Integral Driver (available up to 60" dia.)

E. FINISH

F1 White

F2 Black Metallic Textured

F20 Silver Metallic Textured

F. LUMEN & WATTAGE REDUCTION

LO 100% of standard output

L1 Lumen & Wattage Reduction to approximately 75% of standard output

L2 Lumen & Wattage Reduction to approximately 50% of standard output

L3 Lumen & Wattage Reduction to approximately 25% of standard output

Note: Custom reduction percentages available upon request.

G. EMERGENCY

E0 Emergency system not required

E2 Remote emergency system

H. ACOUSTIC PANEL COLOR

AP00 Not required

AP04 White

AP13 Apple Green

AP22 Blue

AP11 Light Gray

AP26 Sesame Gray

AP27 Black

Volume Discounts are available on all acoustic products, contact the factory for a quote.

Note: For accompanying non-illuminating acoustic panels see our Acoustic Circles, Quads and Triangles spec pages.

Other finishes available. Consult factory.

I. OPTIONAL LOW VOLTAGE

EV Low Voltage

To be used with DA45 only.



MICRO RING INDIRECT™ - SUSPENDED

TECHNICAL DATA

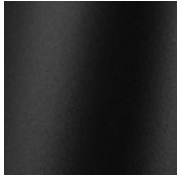
LUMINAIRE

Code	954126	954136	954148	954160	954172	954184
Diameter (A)	24"	36"	48"	60"	72"	84"
Power (LED)	22W	32W	43W	54W	64W	76W
Delivered lms	2321	3234	4147	5624	6633	7874
LPW	105	105	106	106	105	106
Suspension Points	3	3	3	3	6	6

FINISH



White



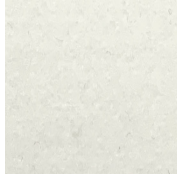
Black Metallic Textured



Silver Metallic Textured

ACOUSTIC PANEL COLOR

Not required



White



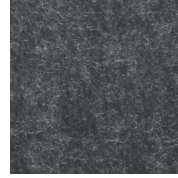
Apple Green



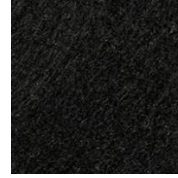
Blue



Light Gray



Sesame Gray



Black

Volume Discounts are available on all acoustic products, contact the factory for a quote.

Note: For accompanying non-illuminating acoustic panels see our Acoustic Circles, Quads and Triangles spec pages.

Other finishes available. Consult factory.

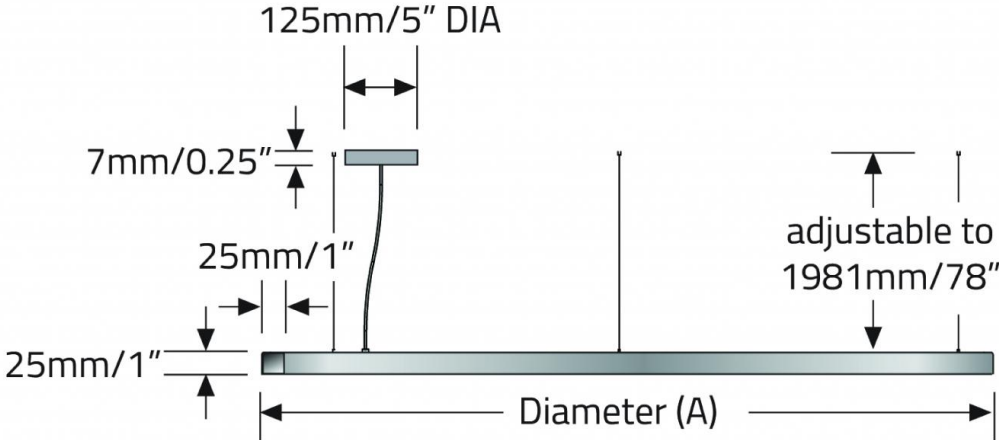
APPROVALS



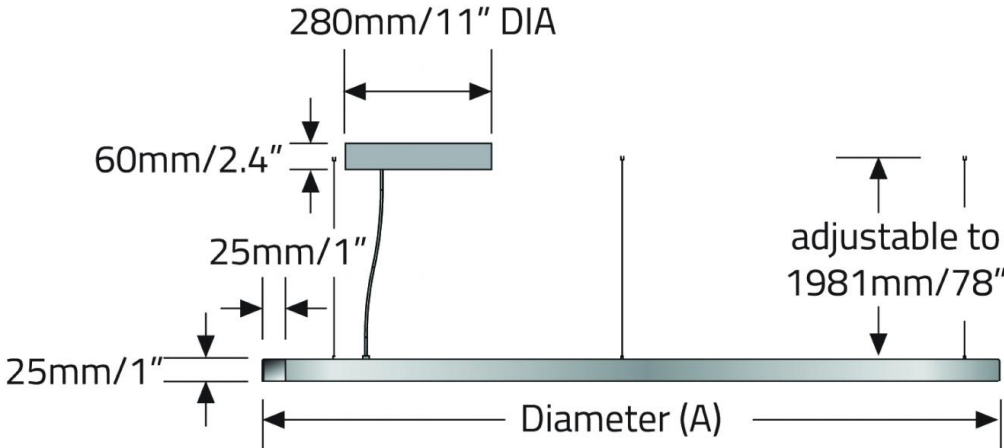
MICRO RING INDIRECT™ - SUSPENDED

DIMENSIONAL DIAGRAMS

S1 VERTICAL - REMOTE DRIVER

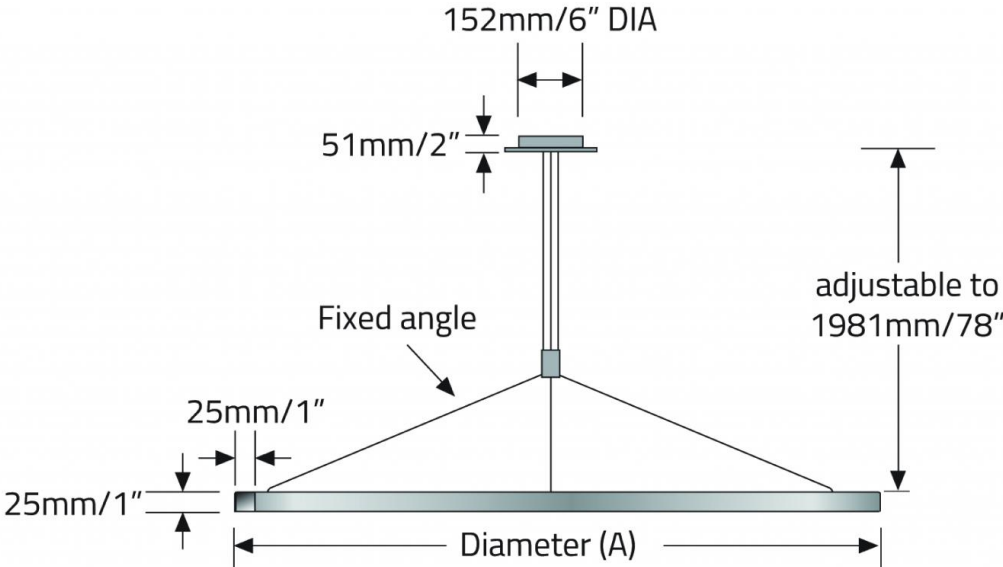


S3 VERTICAL - INTEGRAL DRIVER



MICRO RING INDIRECT™ - SUSPENDED

S2 HUB - REMOTE DRIVER



S4 HUB - INTEGRAL DRIVER

