

MICRO RING II™ - SUSPENDED

Project Name:

Fixture Type:

Fixture Code:

Quantities:



MICRO RING II™ - SUSPENDED



MICRO RING II™ - SUSPENDED

With a super slim profile and 8 diameters ranging from 2' to 12', **MICRO RING II** is ideal for creating sizable multi-tiered circular arrangements. The ring emits direct/indirect light and can be coordinated with 5 other emission options in the MICRO RING family for creating light layers. Buoyant and energetic, MICRO RING II is just as impactful as a single standalone piece, especially with the halo effect created from the indirect light. For sound comfort, MICRO RING II is available with an acoustic panel up to 8' in diameter. Acoustic panels are designed to absorb echo and reverberation associated with open-concept spaces, exposed concrete, open ceilings, and large windows. For a whimsical style, combine MICRO RING with MICRO TRIANGLE or MICRO QUAD.

GENERAL SPECIFICATION

Body

Aluminum.

Power cable

Silver braided.

Remote Emergency

Emergency option provides a 1.5 hour (3 hours for EU) emergency lighting facility. The remote system includes the inverter module, NiCad batteries and a remote wall/ceiling LED charge indicator and test switch (NA only) Maximum distance between wall/ceiling plate and luminaire is 15' (4.5m). Test switch fits a single gang box (not supplied).

Suspension

Steel cables. Power over aircraft cable option (S6) available on direct versions only up to 2134mm/7ft diameter (North America only).

Acoustic Panels NRC Rating

0.80

Acoustic Panels Material

100% recycled polyester fiber (PET).

Mechanical

Luminaires mount directly over J box (by others - North America only).

Delivered Lumens

Delivered lumens & LPW based on 4000K (min 80 CRI).

Finish

Powder coated

Diffuser

Protruding Lens 0.08" (2.1mm)

Drivers

Remote, HPF electronic drivers for 120-277V, 347V (EU-240V) dimming. Wire size 18 AWG - max distance (from fixture to drivers) 40' (12.2m), wire size 16 AWG - max distance 60' (18.3m), wire size 14 AWG - max distance 90' (27.4m). Drivers must be accessible after installation.

PoE

Micro Ring II can integrate into your data network via Power over Ethernet (PoE) connectivity.

Acoustic Panels Class A Fire Rating

ASTM E-84 material.

Acoustic Panels Thickness

12mm (0.5").

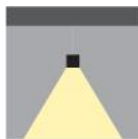
L70 @25°C

> 60,000 hrs.

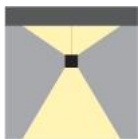
Approvals

Damp Rated.

MOUNTING & OPTICS



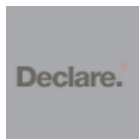
Suspended Direct



Suspended Direct/Indirect



Acoustic



Declare



PoE



MICRO RING II™ - SUSPENDED

HOW TO ORDER

A. LUMINAIRE

MRTP1P02 2ft, Direct, 2200 lms

MRTP1P06 6ft, Direct, 6600 lms

MRTP2P02 2ft, Direct/Indirect, 4500 lms

MRTP2P06 6ft, Direct/Indirect, 13300 lms

MRTP1P03 3ft, Direct, 3200 lms

MRTP1P07 7ft, Direct, 7900 lms

MRTP2P03 3ft, Direct/Indirect, 6600 lms

MRTP2P07 7ft, Direct/Indirect, 15900 lms

MRTP1P04 4ft, Direct, 4100 lms

MRTP1P08 8ft, Direct, 9000 lms

MRTP2P04 4ft, Direct/Indirect, 9100 lms

MRTP2P08 8ft, Direct/Indirect, 18200 lms

MRTP1P05 5ft, Direct, 5600 lms

MRTP1P12 12ft, Direct, 13500 lms

MRTP2P05 5ft, Direct/Indirect, 11300 lms

MRTP2P12 12ft, Direct/Indirect, 27300 lms

B. LUMENS/FT DIRECT

LPF017 175 lm/ft¹

LPF026 260 lm/ft²

LPF035 350 lm/ft³

¹ Based of 50% of total output.

² Based on 75% of total output.

³ 100% of total output.

C. LUMENS/FT INDIRECT

LPG000 Not required

LPG017 175 lm/ft¹

LPG026 260 lm/ft²

LPG035 350 lm/ft³

¹ Based of 50% of total output.

² Based on 75% of total output.

³ 100% of total output.

D. CRI

CR80 CRI 80+

CR90 CRI 90+

E. CCT (DIRECT)

CTA27 2700K¹

CTA30 3000K

CTA35 3500K

CTA40 4000K

¹ Longer than normal lead times may apply, consult factory for details.

F. CCT (INDIRECT)

CTB00 Not required

CTB40 4000K

CTB27 2700K

CTB30 3000K

CTB35 3500K

G. VOLTAGE

V1 120/277V

V2 240V¹

V3 347V²

V4 Low Voltage³

¹ Not available in North America.

² Available with DA01 dimming only.

³ V4 available with DA45 dimming only.

H. DIMMING (REMOTE)

DA01 0-10V Dimming 1.0%

DA45 PoE²

DA10 0-10V Dimming 10.0%

DA20 DALI Dimming 0.1%¹

DA21 DALI Dimming 1.0%¹

¹ Not available with MRTP2P05, MRTP2P06 or MRTP2P07.

² Available with V4 only.



MICRO RING II™ - SUSPENDED

I. SUSPENSION

SS1 Vertical, Remote driver

SS2 Hub, Remote driver ¹

SS3 Vertical, Integral driver ²

SS4 Hub, Integral driver ¹

SS6 Power Over Suspension Cable,
Vertical Remote driver ³

¹ Available up to 7ft for Direct only and available up to 6ft only for Direct/Indirect.

² Direct/Indirect light distribution, not available 6ft diameter and larger.

³ Available up to 5ft diameter and North America only.
Only available with Direct light distribution.

J. FIXTURE FINISH

FA01 White

FA02 Black Metallic - Textured

FA20 Silver Metallic - Textured

FA25 Gold Metallic

FA27 Wood grain - Light Cherry ¹

FA28 Wood grain - Dark Walnut ¹

FA44 Midnight Blue Metallic - Textured

FA45 Copper Metallic

FA46 Charcoal Metallic - Textured

FA47 Bronze Metallic - Textured

FA52 Champagne Metallic

FA53 Red Metallic - Textured

¹ Wood grain finishes are not available for 2ft diameter or above 6ft diameter.
Longer than normal lead times may apply, consult factory.

K. CANOPY FINISH

CF01 White

CF02 Black Metallic - Textured

CF20 Silver Metallic - Textured

CF25 Gold Metallic

CF44 Midnight Blue Metallic - Textured

CF45 Copper Metallic

CF46 Charcoal Metallic - Textured

CF47 Bronze Metallic - Textured

CF52 Champagne Metallic

CF53 Red Metallic - Textured

L. ACOUSTIC PANEL COLOR

AP00 Not required

AP04 White

AP13 Apple Green

AP22 Blue

AP11 Light Gray

AP26 Sesame Gray

AP27 Black

Available up to 4ft diameter. Larger sizes (5ft to 8ft) available with visible seams, consult factory.

For accompanying non-illuminating acoustic panels see our Acoustic Circles, Quads, Triangles and Ellipse spec pages.

Other finishes available. Consult factory.

M. EMERGENCY

E0 Not required

E2 Emergency system - Remote

N. CIRCUITS

CS1 Single circuit

CS2 Dual circuit



MICRO RING II™ - SUSPENDED

TECHNICAL DATA

LUMINAIRE

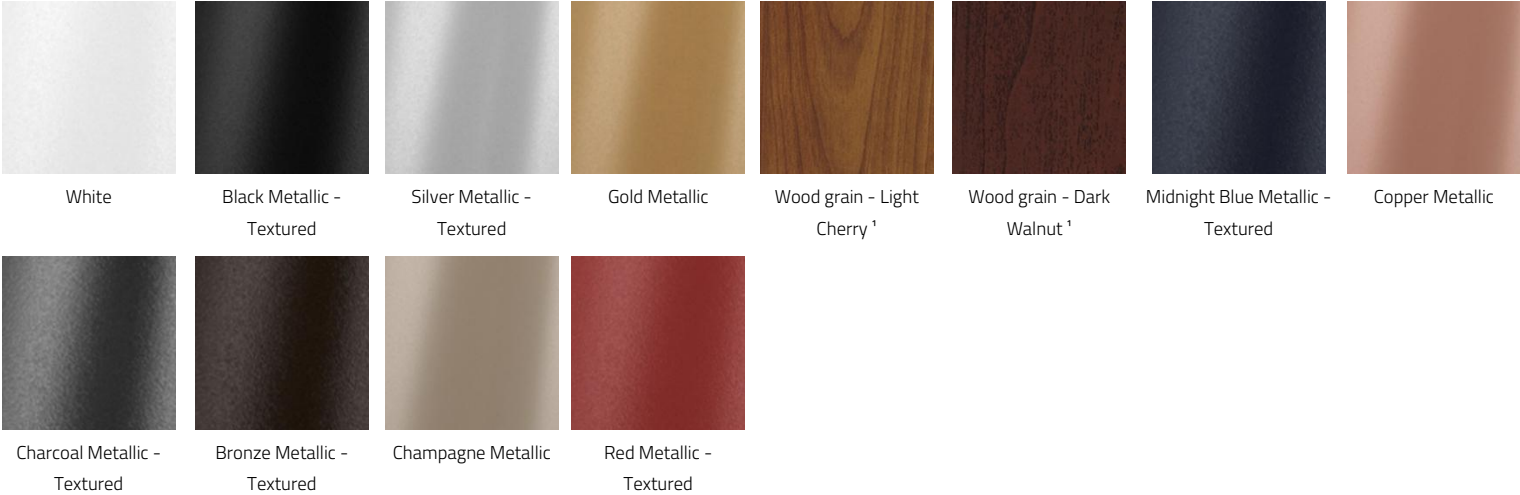
Code	MRTP1P02	MRTP1P03	MRTP1P04	MRTP1P05	MRTP1P06	MRTP1P07
Diameter (A)	2ft	3ft	4ft	5ft	6ft	7ft
Light Direction	Direct	Direct	Direct	Direct	Direct	Direct
Wattage	21W	31W	40W	54W	64W	76W
Delivered lms	2200	3200	4100	5600	6600	7900
LPW	104	104	104	104	104	104
Suspension Points	3	3	3	3	4	4
# of Sections and Canopies	1	1	1	1	1	1

Code	MRTP1P08	MRTP1P12	MRTP2P02	MRTP2P03	MRTP2P04	MRTP2P05
Diameter (A)	8ft	12ft	2ft	3ft	4ft	5ft
Light Direction	Direct	Direct	Direct/Indirect	Direct/Indirect	Direct/Indirect	Direct/Indirect
Wattage	113W	179W	43W	64W	86W	108W
Delivered lms	9000	13500	4500	6600	9100	11300
LPW	80	79	105	105	105	105
Suspension Points	6	8	3	3	3	3
# of Sections and Canopies	2	2	1	1	1	1

Code	MRTP2P06	MRTP2P07	MRTP2P08	MRTP2P12
Diameter (A)	6ft	7ft	8ft	12ft
Light Direction	Direct/Indirect	Direct/Indirect	Direct/Indirect	Direct/Indirect
Wattage	128W	152W	226W	342W
Delivered lms	13300	15900	18200	27300
LPW	105	105	81	80
Suspension Points	4	4	6	8
# of Sections and Canopies	1	1	2	2

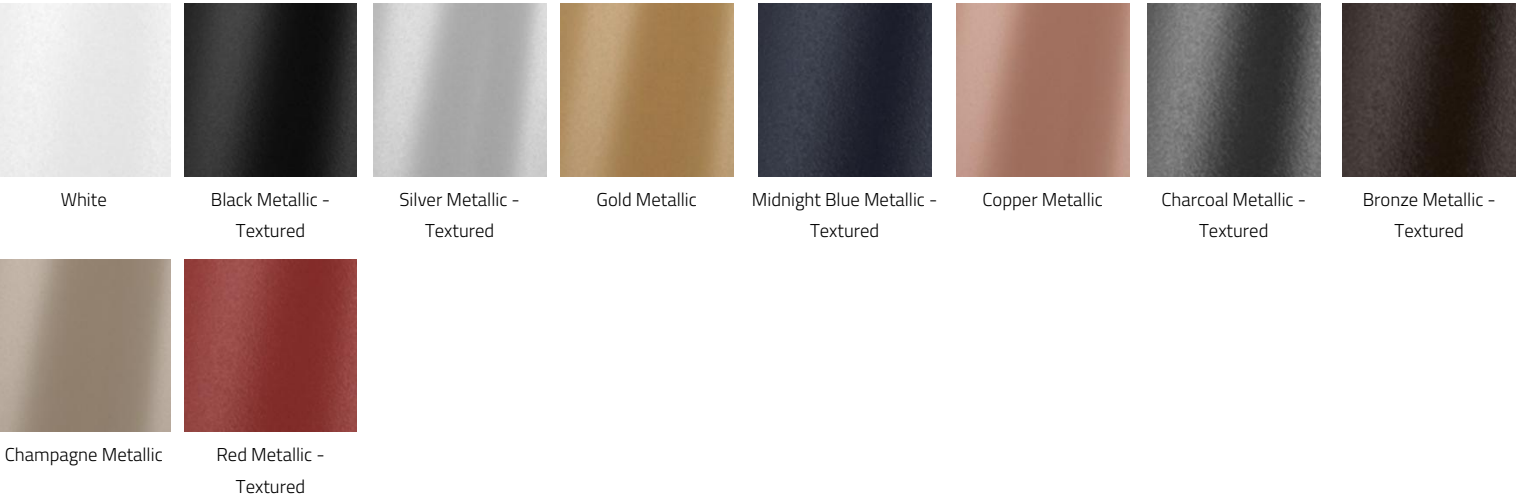
MICRO RING II™ - SUSPENDED

FIXTURE FINISH

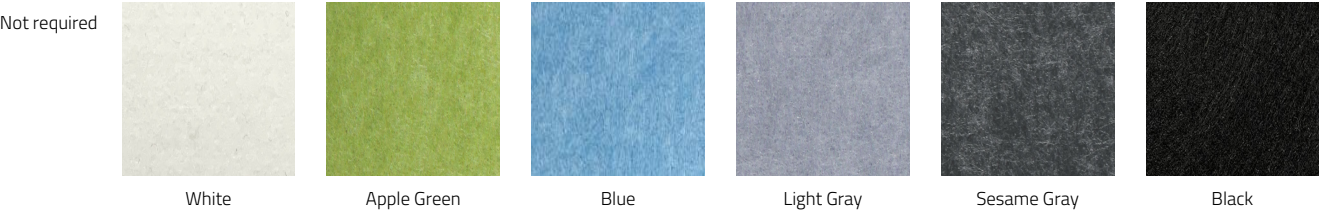


¹ Wood grain finishes are not available for 2ft diameter or above 6ft diameter. Longer than normal lead times may apply, consult factory.

CANOPY FINISH



ACOUSTIC PANEL FINISH



Available up to 4ft diameter. Larger sizes (5ft to 8ft) available with visible seams, consult factory.
 For accompanying non-illuminating acoustic panels see our Acoustic Circles, Quads, Triangles and Ellipse spec pages.
 Other finishes available. Consult factory.

MICRO RING II™ - SUSPENDED

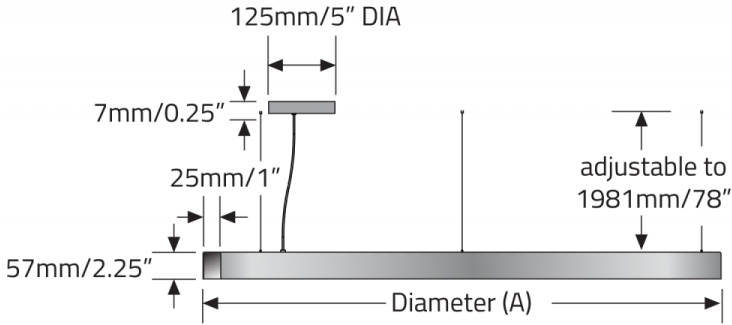
APPROVALS



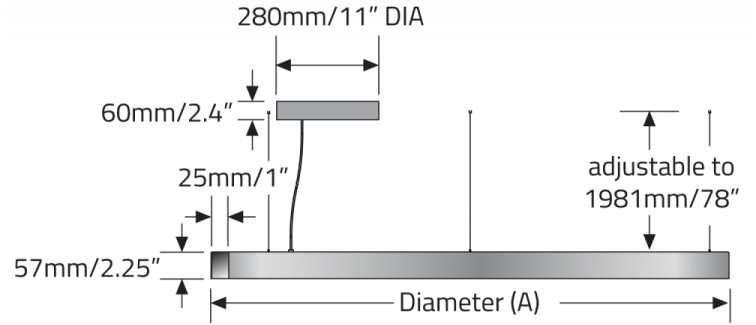
MICRO RING II™ - SUSPENDED

DIMENSIONAL DIAGRAMS

SS1 VERTICAL - REMOTE DRIVER

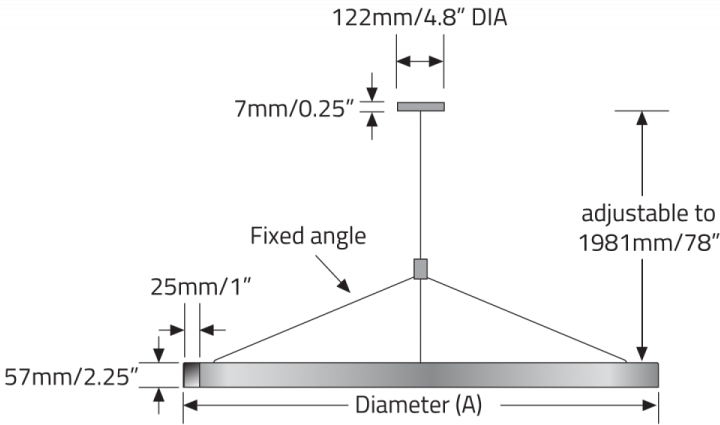


SS3 VERTICAL - INTEGRAL DRIVER



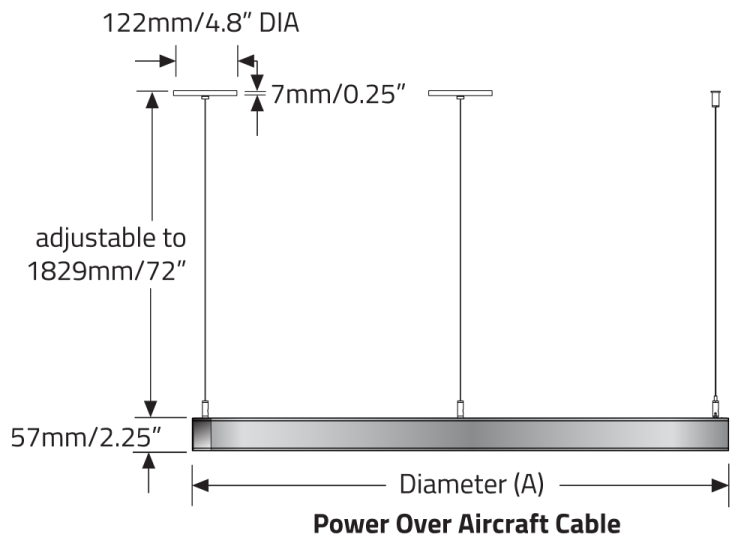
Direct: Available up to 2134mm/84" DIA only.
Direct/Indirect: Available up to 1520mm/60" DIA only.

SS2 HUB - REMOTE DRIVER



Direct: Available up to 1520mm/60" DIA only.
Direct/Indirect: Available up to 1520mm/60" DIA only.

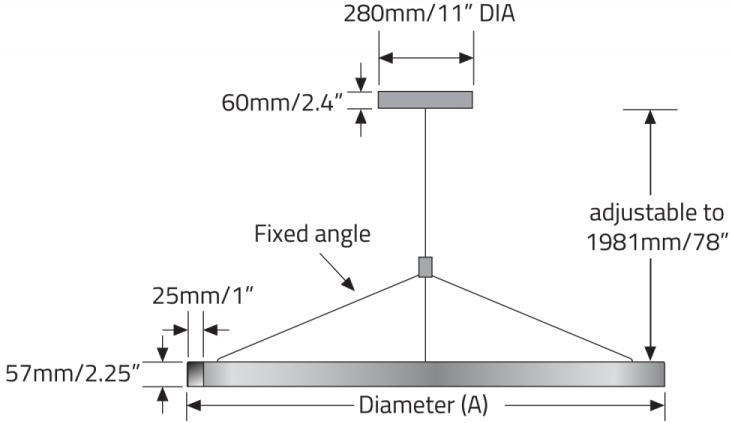
SS6 VERTICAL - REMOTE DRIVER



Direct: Available up to 2134mm/84" DIA and
 DAO1 option (North America only)

MICRO RING II™ - SUSPENDED

SS4 HUB - INTEGRAL DRIVER



Direct: Available up to 2134mm/84" DIA only.

Direct/Indirect: Available up to 1520mm/60" DIA only.