

MICRO QUAD DE™ - SUSPENDED

Project Name:

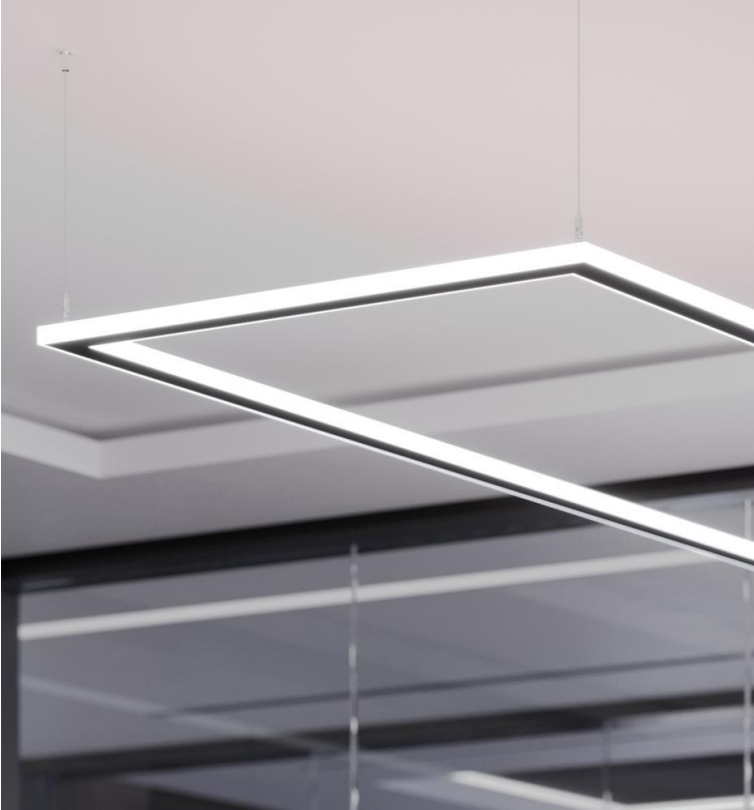
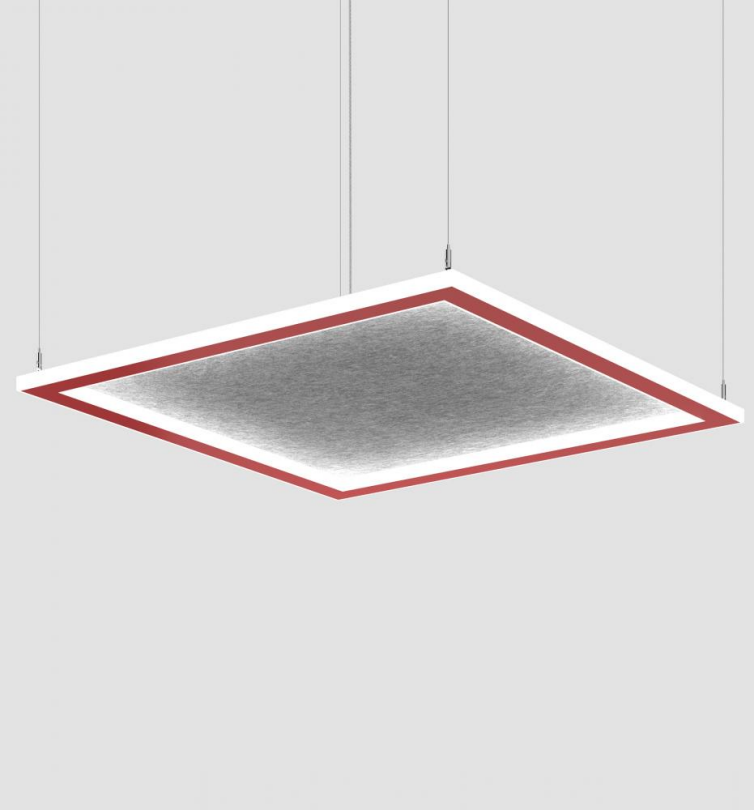
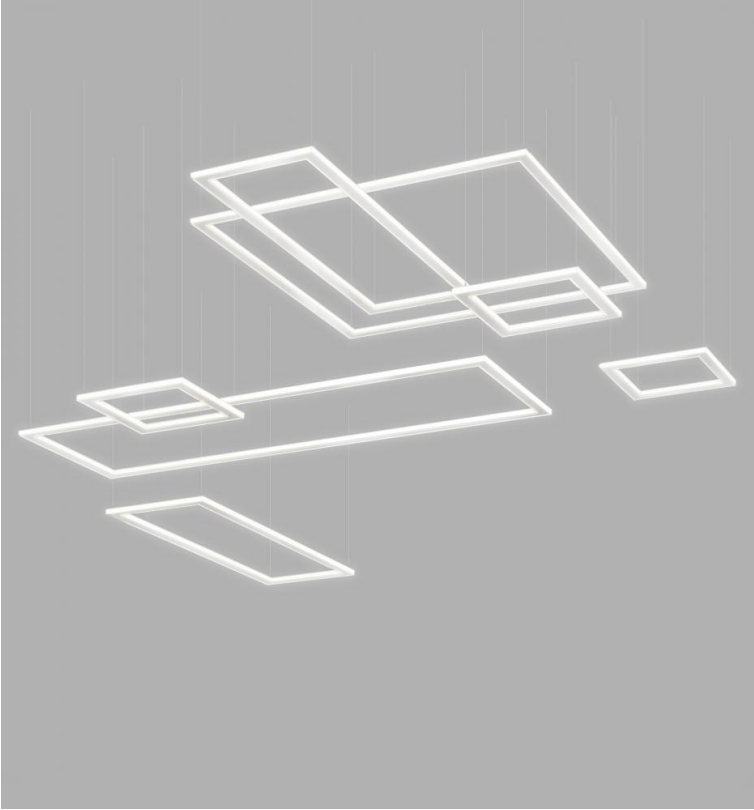
Fixture Type:

Fixture Code:

Quantities:



MICRO QUAD DE™ - SUSPENDED



MICRO QUAD DE™ - SUSPENDED

The straight lines and right angles of the rectangle add a balanced and grounded feel to a space. With a super-slim 1" profile and several quadrilaterals ranging from 2' to 7' squared, **MICRO QUAD DE** is ideal for creating and complementing grid effects or for creating sizable multi-tiered arrangements. The light emits from the inner and outer sides of the frame and can be coordinated with MICRO QUAD II which emits direct and indirect light. For sound comfort, MICRO QUAD DE is available with an acoustic panel designed to absorb echo and reverberation associated with open-concept spaces, exposed concrete, open ceilings, and large windows. With the light emitting from the inner side, the acoustic panel is illuminated, creating another decorative dimension. For a whimsical style, combine MICRO QUAD with MICRO RING or MICRO TRIANGLE.

GENERAL SPECIFICATION

Body

Aluminum.

Finish

Powder coated.

Suspension

Stainless steel cables.

Power cable

Silver braided.

Remote Mounting Of Drivers

Wire size 18 AWG - max distance (from fixture to drivers) 40', wire size 16 AWG - max distance 60', wire size 14 AWG - max distance 90'. Drivers must be accessible after installation.

PoE

Micro Quad DE can integrate into your data network via Power over Ethernet (PoE) connectivity.

Drivers

HPF electronic drivers for 120-277V (EU-240V).

Mechanical

Luminaires attached directly to the J box (by others - North America only).

Diffusers

Frosted acrylic. Lens protrudes 4.8mm/0.19".

L70 @25°C (77°F)

> 60,000 hrs.

Delivered Lumens

Delivered lumens & LPW based on 4000K (min 80 CRI) for White LEDs only.

Acoustic Panels NRC Rating

0.80.

Acoustic Panels Class A Fire Rating

ASTM E-84 material.

Acoustic Panels Material

100% recycled polyester fiber (PET).

Acoustic Panels Thickness

12mm (0.5").

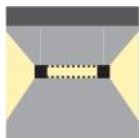
CRI

Fixture supplied at 80 CRI, 90 CRI available upon request.

Approvals

Damp Rated.

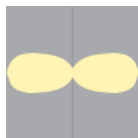
MOUNTING & OPTICS



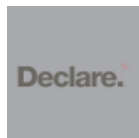
Suspended Inside/Outside



Acoustic



General Diffuse



Declare



PoE

MICRO QUAD DE™ - SUSPENDED

HOW TO ORDER

A. LUMINAIRE LENGTH

982410 25", 3346 lms	982420 36", 5018 lms	982430 48", 6690 lms	982440 60", 8364 lms
982450 72", 10036 lms	982460 84", 11708 lms		

Calculate total lumens and wattage by adding the Length lumens to the Width lumens. For example: 36' length + 48' width = 5018 + 6690 = 11708 total lumens.

B. WIDTH

W25 25", 3346 lms	W36 36", 5018 lms	W48 48", 6690 lms	W60 60", 8364 lms
W72 72", 10036 lms	W84 84", 11708 lms		

C. CCT/COLOR (OUTSIDE)

T27 2700K (min 80 CRI) ¹	T30 3000K (min 80 CRI)	T35 3500K (min 80 CRI)	T40 4000K (min 80 CRI)
TRD Red	TGN Green	TBL Blue	

CR90 (CRI 90+) available upon request, consult factory.

¹ Longer than normal lead times may apply, consult factory.

D. CCT/COLOR (INSIDE)

S27 2700K (min 80 CRI) ¹	S30 3000K (min 80 CRI)	S35 3500K (min 80 CRI)	S40 4000K (min 80 CRI)
SRD Red	SGN Green	SBL Blue	

CR90 (CRI 90+) available upon request, consult factory.

¹ Longer than normal lead times may apply, consult factory.

E. SUSPENSION

S1 Vertical, Remote Driver	S3 Vertical, Integral Driver
-----------------------------------	-------------------------------------

S3 suspension cannot be used under the following conditions:

982440 with W60
982450 with W48 or W60
982460 with W36 or W48

F. DIMMING (REMOTE ONLY)

D1 0-10V Dimming 1.0%	D10 0-10V Dimming 10.0%	D4 DALI Dimming 0.1%	D5 DALI Dimming 1.0%
DA45 PoE			

D4 & D5 not available with 982450 or 982460.

D4 & D5, combined with 982430 & 982440 are available with S1 suspension only.

DA45 must be used with EV only.

G. FINISH

WH White	BL Black Metallic Textured	MS Silver Metallic Textured
-----------------	-----------------------------------	------------------------------------

H. LUMEN & WATTAGE REDUCTION

PRO Lumen & Wattage Reduction to approximately 25% of standard output	PR1 Lumen & Wattage Reduction to approximately 50% of standard output	PR2 Lumen & Wattage Reduction to approximately 75% of standard output
--	--	--

PRO is not available with 982410. Custom reduction percentages available upon request.



MICRO QUAD DE™ - SUSPENDED

I. ACOUSTIC PANEL COLOR

AP00 Not required

AP04 White

AP13 Apple Green

AP22 Blue

AP11 Light Gray

AP26 Sesame Gray

AP27 Black

Available up to 84" length x 48" width max. Acoustic panels available in larger sizes have visible seams. Consult factory.

Volume Discounts are available on all acoustic products, contact the factory for a quote.

For accompanying non-illuminating acoustic panels see our Acoustic Circles, Quads and Triangles spec pages.

Other finishes available. Consult factory.

J. OPTIONAL LOW VOLTAGE

EV Low Voltage

To be used with DA45 only.



MICRO QUAD DE™ - SUSPENDED

TECHNICAL DATA

LUMINAIRE

Calculate total lumens and wattage by adding the Length lumens to the Width lumens. For example: 36' length + 48' width = 5018 + 6690 = 11708 total lumens.

Code	982410	982420	982430	982440	982450	982460
Length	25"	36"	48"	60"	72"	84"
Power (LED)	27W	40W	53W	66W	80W	93W
Delivered lms (Length)	3346	5018	6690	8364	10036	11708
LPW	126	125	126	126	125	126

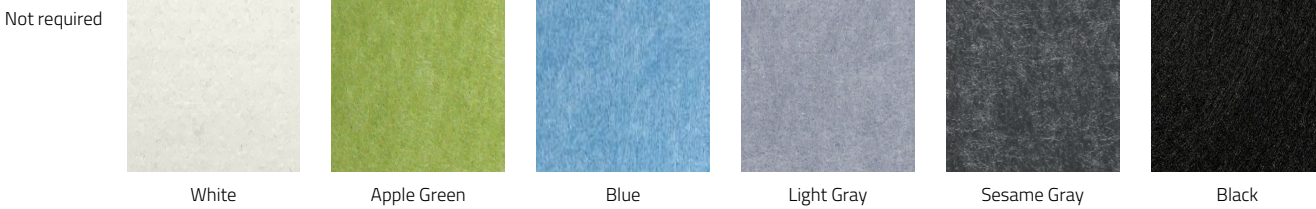
WIDTH

Code	W25	W36	W48	W60	W72	W84
Width	25"	36"	48"	60"	72"	84"
Power (LED)	27W	40W	53W	66W	80W	93W
Delivered lms (Width)	3346	5018	6690	8364	10036	11708
LPW	126	125	126	126	125	126

FINISH



ACOUSTIC PANEL COLOR



Available up to 84" length x 48" width max. Acoustic panels available in larger sizes have visible seams. Consult factory.

Volume Discounts are available on all acoustic products, contact the factory for a quote.

For accompanying non-illuminating acoustic panels see our Acoustic Circles, Quads and Triangles spec pages.

Other finishes available. Consult factory.

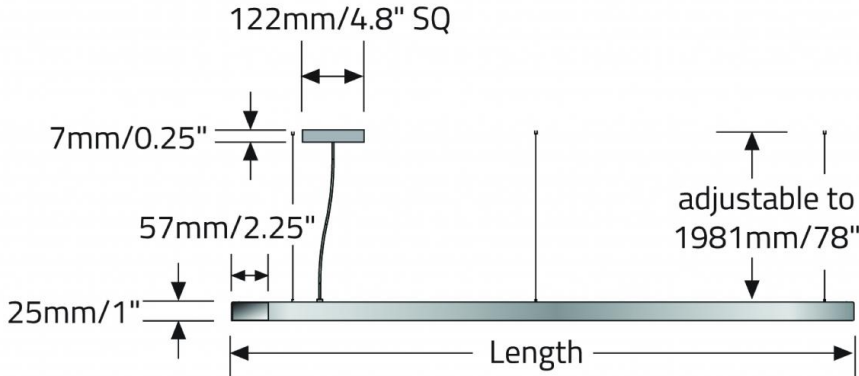
APPROVALS



MICRO QUAD DE™ - SUSPENDED

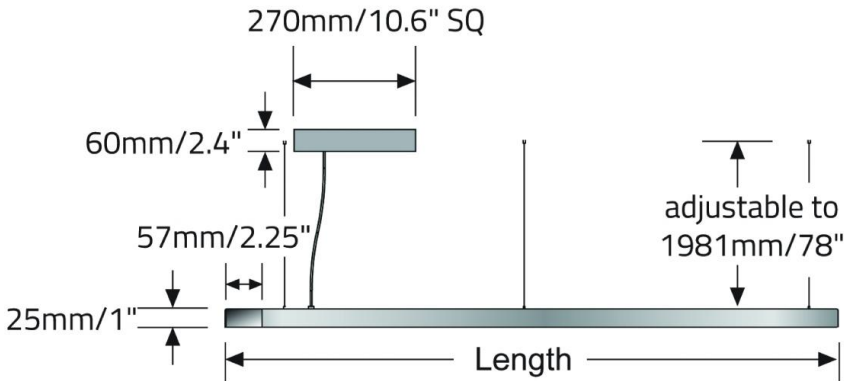
DIMENSIONAL DIAGRAMS

S1 VERTICAL - REMOTE DRIVER



Note: The diffuser protrudes by 4.8mm/0.19"

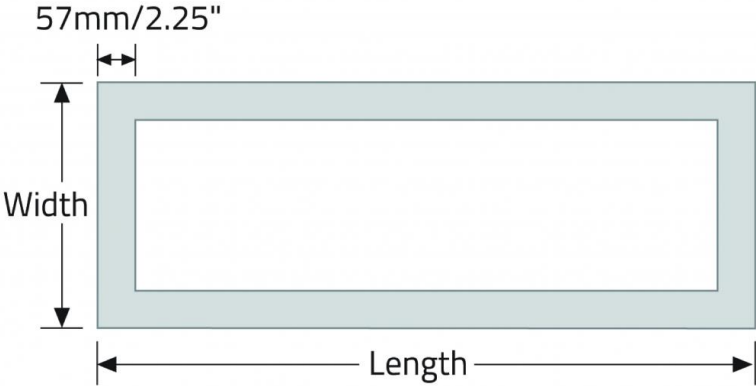
S3 VERTICAL - INTEGRAL DRIVER



Canopy: 305mm/12" SQ (for a total of 107W combined for direct/Indirect)

Note: The diffuser protrudes by 4.8mm/0.19"

MICRO QUAD DE™ - SUSPENDED



Note: The diffuser protrudes by 4.8mm/0.19"