

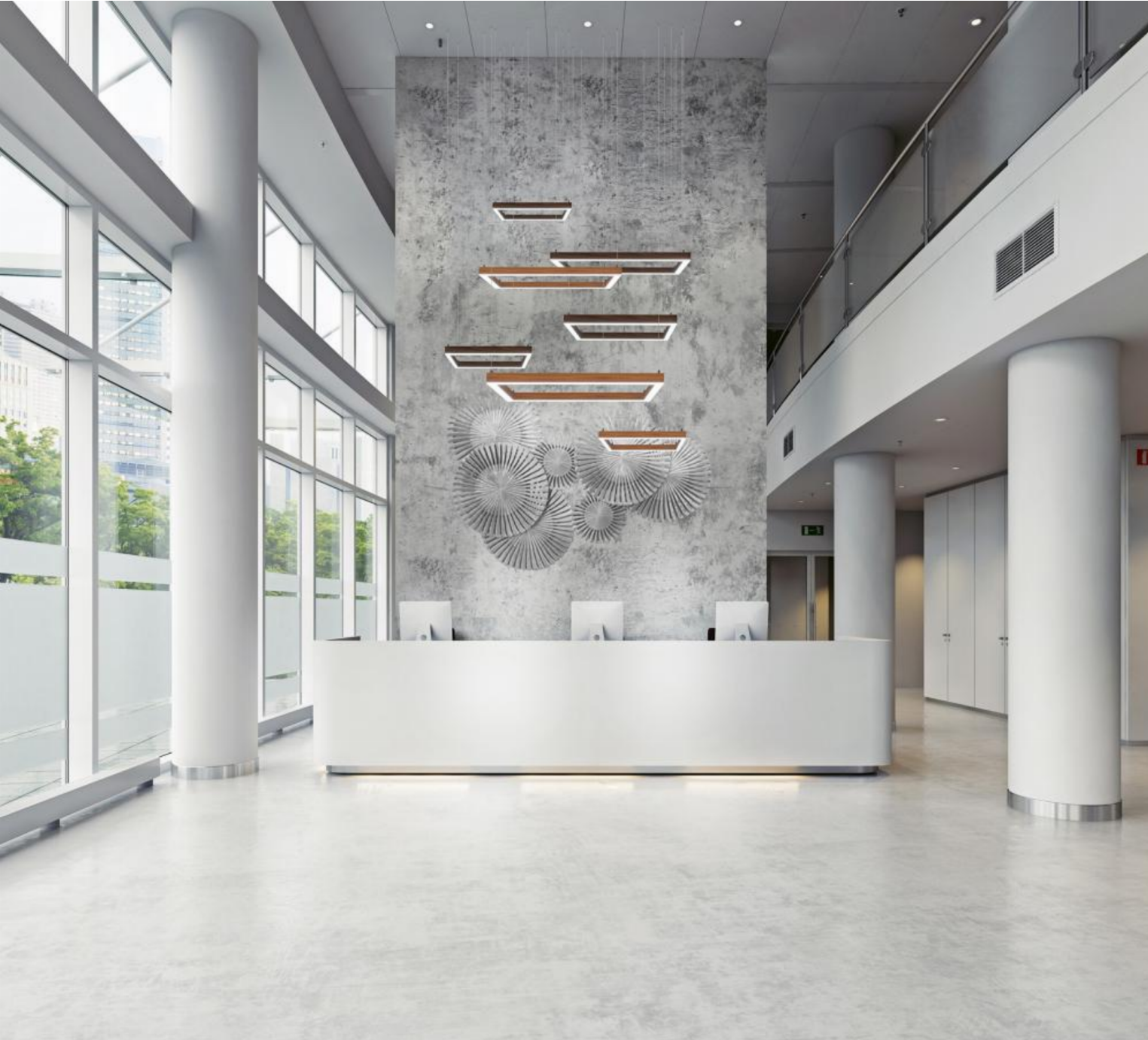
MICRO QUAD II™ - SUSPENDED

Project Name:

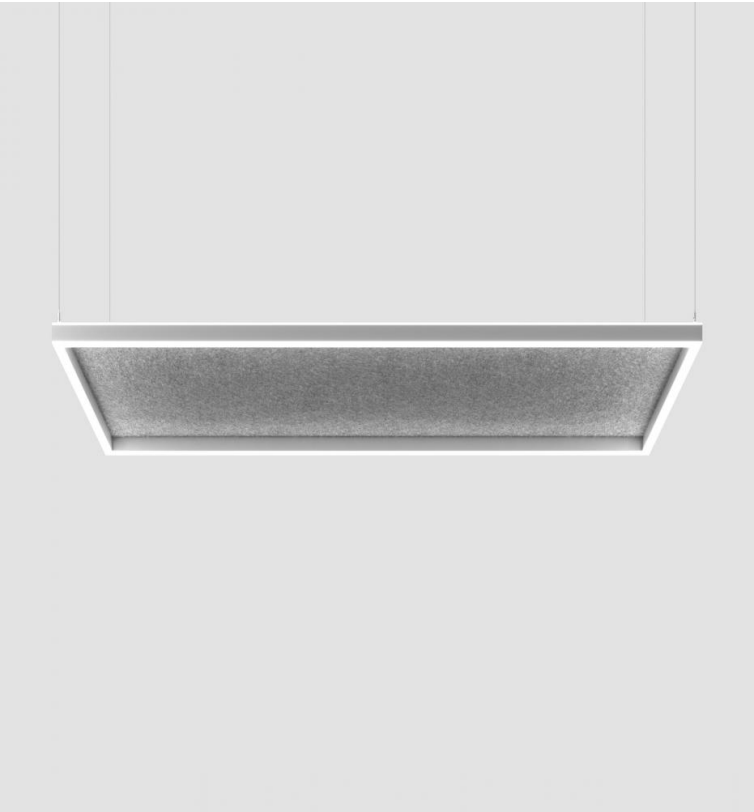
Fixture Type:

Fixture Code:

Quantities:



MICRO QUAD II™ - SUSPENDED



MICRO QUAD II™ - SUSPENDED

The straight lines and right angles of the rectangle add a balanced and grounded feel to a space. With a super-slim 1" profile and several quadrilaterals ranging from 2' to 7' squared, **MICRO QUAD II** is ideal for creating and complementing grid effects or for creating sizable multi-tiered arrangements. The light emission is direct/indirect and can be coordinated with MICRO QUAD DE which emits light from the inner and outer sides of the frame. For sound comfort, MICRO QUAD II is available with an acoustic panel designed to absorb echo and reverberation associated with open-concept spaces, exposed concrete, open ceilings, and large windows. For a whimsical style, combine MICRO QUAD with MICRO RING or MICRO TRIANGLE.

GENERAL SPECIFICATION

Body

Aluminum.

Suspension

Stainless steel cables.

Remote Mounting Of Drivers

Wire size 18 AWG - max distance (from fixture to drivers) 40'; wire size 16 AWG - max distance 60'; wire size 14 AWG - max distance 90'. Drivers must be accessible after installation.

Mechanical

Luminaires mount directly over J box (by others - North America only).

Diffusers

Frosted acrylic. Lens protrudes 4.8mm/0.19".

Acoustic Panels NRC Rating

0.80.

Acoustic Panels Material

100% recycled polyester fiber (PET).

L70 @25°C (77°F)

> 60,000 hrs.

Approvals

Damp Rated.

Finish

Powder coated.

Power cable

Silver braided.

PoE

Micro Quad II can integrate into your data network via Power over Ethernet (PoE) connectivity.

Drivers

HPF electronic drivers for 120-277V (EU-240V).

Delivered Lumens

Delivered lumens & LPW based on 4000K (min 80 CRI) for White LEDs only.

Acoustic Panels Class A Fire Rating

ASTM E-84 material.

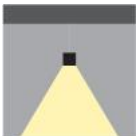
Acoustic Panels Thickness

12mm (0.5").

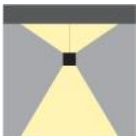
CRI

Fixture supplied at 80 CRI, 90 CRI available upon request.

MOUNTING & OPTICS



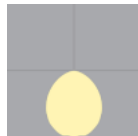
Suspended Direct



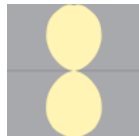
Suspended Direct/Indirect



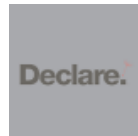
Acoustic



Direct



Direct-indirect



Declare



PoE



MICRO QUAD II™ - SUSPENDED

HOW TO ORDER

A. LUMINAIRE LENGTH

983810 24", Direct, 1650 lms	983820 36", Direct, 2474 lms	983830 48", Direct, 3300 lms	983840 60", Direct, 4124 lms
983850 71", Direct, 4948 lms	983860 83", Direct, 5774 lms	983910 24", Direct/Indirect, 3356 lms	983920 36", Direct/Indirect, 5034 lms
983930 48", Direct/Indirect, 6712 lms	983940 60", Direct/Indirect, 8390 lms	983950 71", Direct/Indirect, 10068 lms	983960 83", Direct/Indirect, 11746 lms

Calculate total lumens and wattage by adding the Length lumens to the Width lumens. For example: direct only 36" length + 48" width = 2474 + 3300 = 5774 total lumens.

B. WIDTH

WD24 24", Direct, 1650 lms	WD36 36", Direct, 2474 lms	WD48 48", Direct, 3300 lms	WD60 60", Direct, 4124 lms
WD71 71", Direct, 4948 lms	WD83 83", Direct, 5774 lms	WDI24 24", Direct/Indirect, 3356 lms	WDI36 36", Direct/Indirect, 5034 lms
WDI48 48", Direct/Indirect, 6712 lms	WDI60 60", Direct/Indirect, 8390 lms	WDI71 71", Direct/Indirect, 10068 lms	WDI83 83", Direct/Indirect, 11746 lms

C. CCT/COLOR (DIRECT)

D27 2700K (min 80 CRI) ¹	D30 3000K (min 80 CRI)	D35 3500K (min 80 CRI)	D40 4000K (min 80 CRI)
DRD Red	DGN Green	DBL Blue	

CR90 (CRI 90+) available upon request, consult factory.

¹ Longer than normal lead times may apply, consult factory.

D. CCT/COLOR (INDIRECT)

N27 2700K (min 80 CRI) ¹	N30 3000K (min 80 CRI)	N35 3500K (min 80 CRI)	N40 4000K (min 80 CRI)
NRD Red	NGN Green	NBL Blue	

CR90 (CRI 90+) available upon request, consult factory.

¹ Longer than normal lead times may apply, consult factory.

E. SUSPENSION

S1 Vertical, Remote Driver	S3 Vertical, Integral Driver
-----------------------------------	-------------------------------------

S3 suspension cannot be used under the following conditions:

983840 with WD60
983850 with WD48 or WD60
983860 with WD36 or WD48
983940 with WDI60
983950 with WDI48 or WDI60
983960 with WDI36 or WDI48

F. DIMMING

D1 0-10V Dimming 1.0%	D10 0-10V Dimming 10.0%	D4 DALI Dimming 0.1%	D5 DALI Dimming 1.0%
DA45 PoE			

DA45 must be used with EV only.

G. FINISH

WH White	BL Black Metallic Textured	MS Silver Metallic Textured
-----------------	-----------------------------------	------------------------------------



MICRO QUAD II™ - SUSPENDED

H. LUMEN & WATTAGE REDUCTION

PR1 Lumen & Wattage Reduction to approximately 50% of standard output

PR2 Lumen & Wattage Reduction to approximately 75% of standard output

PR1 not available with 983810. Custom reduction percentages available upon request.

I. ACOUSTIC PANEL COLOR

AP00 Not required

AP04 White

AP13 Apple Green

AP22 Blue

AP11 Light Gray

AP26 Sesame Gray

AP27 Black

Available up to 48" Sq or 83" length by 48" width. Larger sizes available with visible seams - consult factory.

Volume Discounts are available on all acoustic products, contact the factory for a quote.

For accompanying non-illuminating acoustic panels see our Acoustic Circles, Quads and Triangles spec pages.

Other finishes available. Consult factory.

J. OPTIONAL LOW VOLTAGE

EV Low Voltage

To be used with DA45 only.



MICRO QUAD II™ - SUSPENDED

TECHNICAL DATA

LUMINAIRE

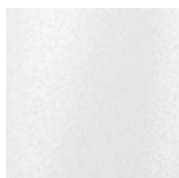
Calculate total lumens and wattage by adding the Length lumens to the Width lumens. For example: direct only 36" length + 48" width = 2474 + 3300 = 5774 total lumens.

Code	983810	983820	983830	983840	983850	983860
Length	24"	36"	48"	60"	71"	83"
Power (LED)	13W	20W	27W	33W	40W	47W
Light Direction	Direct	Direct	Direct	Direct	Direct	Direct
Delivered lms (Length)	1650	2474	3300	4124	4948	5774
LPW	125	124	124	124	124	124
Code	983910	983920	983930	983940	983950	983960
Length	24"	36"	48"	60"	71"	83"
Power (LED)	27W	40W	53W	66W	80W	93W
Light Direction	Direct/Indirect	Direct/Indirect	Direct/Indirect	Direct/Indirect	Direct/Indirect	Direct/Indirect
Delivered lms (Length)	3356	5034	6712	8390	10068	11746
LPW	126	126	126	126	126	126

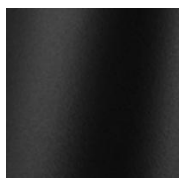
WIDTH

Code	WD24	WD36	WD48	WD60	WD71	WD83
Width	24"	36"	48"	60"	71"	83"
Power (LED)	13W	20W	27W	33W	40W	47W
Light Direction	Direct	Direct	Direct	Direct	Direct	Direct
Delivered lms (Width)	1650	2474	3300	4124	4948	5774
LPW	125	124	124	124	124	124
Code	WDI24	WDI36	WDI48	WDI60	WDI71	WDI83
Width	24"	36"	48"	60"	71"	83"
Power (LED)	27W	40W	53W	66W	80W	93W
Light Direction	Direct/Indirect	Direct/Indirect	Direct/Indirect	Direct/Indirect	Direct/Indirect	Direct/Indirect
Delivered lms (Width)	3356	5034	6712	8390	10068	11746
LPW	126	126	126	126	126	126

FINISH



White



Black Metallic Textured



Silver Metallic Textured



MICRO QUAD II™ - SUSPENDED

ACOUSTIC PANEL COLOR

Not required



White



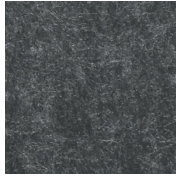
Apple Green



Blue



Light Gray



Sesame Gray



Black

Available up to 48" Sq or 83" length by 48" width. Larger sizes available with visible seams - consult factory.

Volume Discounts are available on all acoustic products, contact the factory for a quote.

For accompanying non-illuminating acoustic panels see our Acoustic Circles, Quads and Triangles spec pages.

Other finishes available. Consult factory.

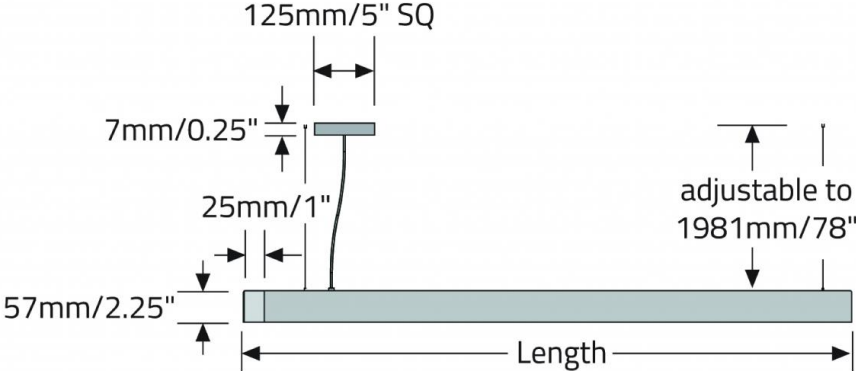
APPROVALS



MICRO QUAD II™ - SUSPENDED

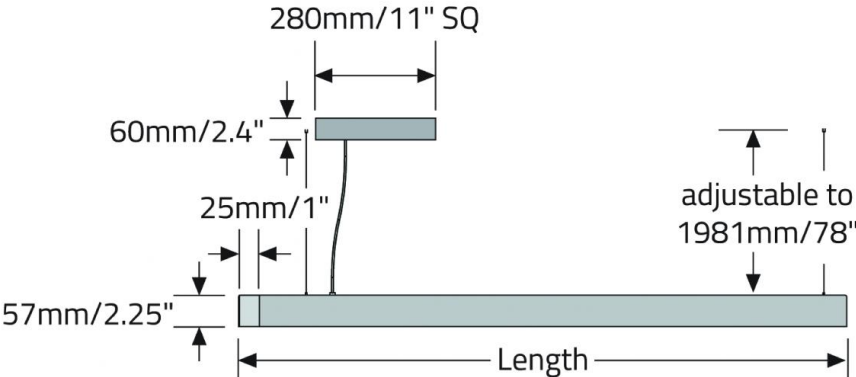
DIMENSIONAL DIAGRAMS

S1 VERTICAL - REMOTE DRIVER



Note: The diffuser protrudes by 4.8mm/0.19"

S3 VERTICAL - INTEGRAL DRIVER

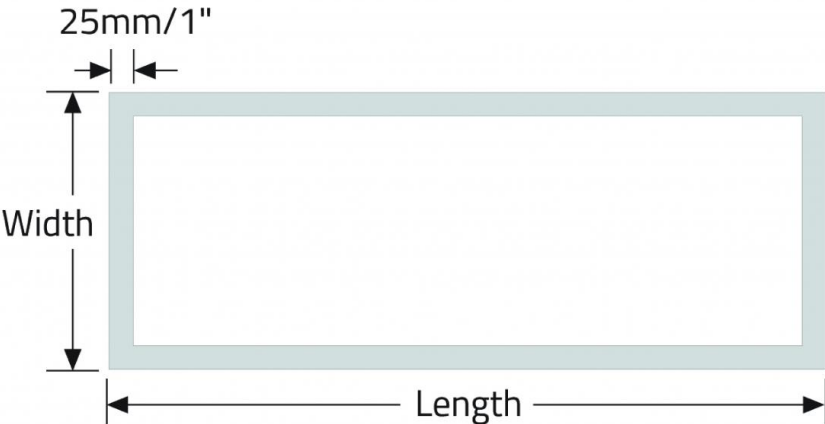


Direct/Indirect: Available upto 1168mm/46" sq only.

Canopy: 305mm/12" SQ (for a total of 107W combined for direct/Indirect)

Note: The diffuser protrudes by 4.8mm/0.19"

MICRO QUAD II™ - SUSPENDED



Note: The diffuser protrudes by 4.8mm/0.19"