

Project Name:

Fixture Type:

Fixture Code:

Quantities:





Cerchio II epitomizes contemporary design with elegant clean lines and a floating inner ring that evokes an impression of levity. The outer and inner rings can each have their own finish to make Cerchio II more complementary to surrounding color themes. Cerchio II is also available with an acoustic panel in 6 finishes which adds another decorative dimension while offering sound-absorbing functionality.

GENERAL SPECIFICATION

Body

Aluminum.

Suspension

Stainless steel cables.

Remote emergency

Emergency option provides a 1.5 hour (3 hours for EU) emergency lighting facility. The remote system includes the inverter module, NiCad batteries and a remote wall/ceiling LED charge indicator and test switch (NA only) Maximum distance between wall/ceiling plate and luminaire is 4.5m/15'. Test switch fits a single gang box (not supplied).

Drivers

HPF electronic drivers for 120-277V, 347V (EU-240V). Depending on options selected, driver can be either integral in the canopy or remotely mounted.

Acoustic Panels NRC Rating

0.80

Acoustic Panels Material

100% recycled polyester fiber (PET).

PoE

Cerchio II can integrate into your data network via Power over Ethernet (PoE) connectivity.

Delivered lumens

Delivered lumens & LPW based on 4000K (min 80 CRI).

Finish

Powder coated.

Power cable

Silver braided.

Remote mounting of drivers

Wire Size 18 AWG - Max distance (from canopy to drivers) 9.5', Wire size 16 AWG - Max distance 19.5', Wire size 14 AWG - Max distance 29.5'. Drivers must be accessible after installation. 5ft(1524mm) and above c/w 2 remote driver boxes and 2 power cords.

Mechanical

Luminaires mount directly over J box (by others - North America only).

Acoustic Panels Class A fire Rating

ASTM E-84 material.

Acoustic Panels Thickness

9mm (0.5").

L70 @25°C

>50,000 hrs.

Approvals

Damp Rated.

MOUNTING & OPTICS



Suspended Direct/Indirect



Direct-indirect



Declare



PoE

CERCHIO II™

HOW TO ORDER

A. LUMINAIRE

CERP1P02 2ft, 4200 lumens	CERP1P03 3ft, 6700 lumens	CERP1P04 4ft, 9200 lumens	CERP1P05 5ft, 11600 lumens
CERP1P06 6ft, 13900 lumens	CERP1P07 7ft, 16300 lumens		

Note: CERP1P05, CERP1P06 & CERP1P07 are c/w 2 remote driver boxes and 2 power cords.

B. LUMENS/FT

LPF035 350 lm/ft ¹	LPF052 525 lm/ft ²	LPF070 700 lm/ft ³
--------------------------------------	--------------------------------------	--------------------------------------

¹ Based on 50% of total output.

² Based on 75% of total output.

³ 100% of total output.

C. CRI

CR80 CRI 80+	CR90 CRI 90+
---------------------	---------------------

D. CCT

CTA27 2700K ¹	CTA30 3000K	CTA35 3500K	CTA40 4000K
---------------------------------	--------------------	--------------------	--------------------

¹ Longer than normal lead times may apply, consult factory for details.

E. VOLTAGE

V1 120/277V	V2 240V ¹	V3 347V ²	V4 Low voltage ³
--------------------	-----------------------------	-----------------------------	------------------------------------

¹ V2 not available in North America.

² V3 available with DA01 dimming only.

³ V4 available with DA45 dimming only.

F. DIMMING (REMOTE)

DA01 0-10V Dimming 1.0%	DA02 0-10V Dimming 0.1% ¹	DA10 0-10V Dimming 10.0%	DA20 DALI Dimming 0.1% ¹
DA21 DALI Dimming 1.0% ¹	DA45 PoE ²		

¹ Not available with V3 or V4.

² DA45 used V4 only.

G. SUSPENSION

SS1 Vertical, Remote driver	SS2 Hub, Remote driver	SS3 Vertical, integral driver ¹	SS4 Hub, Integral driver ¹
------------------------------------	-------------------------------	---	--

¹ Available up to 4ft diameter.

H. FINISH INNER RING

FA01 White	FA02 Black Metallic - Textured	FA20 Silver Metallic - Textured	FA25 Gold Metallic
FA44 Midnight Blue Metallic - Textured	FA45 Copper Metallic	FA46 Charcoal Metallic - Textured	FA47 Bronze Metallic - Textured
FA52 Champagne Metallic	FA53 Red Metallic - Textured		

I. FINISH OUTER RING

FB01 White	FB02 Black Metallic - Textured	FB20 Silver Metallic - Textured	FB25 Gold Metallic
FB44 Midnight Blue Metallic - Textured	FB45 Copper Metallic	FB46 Charcoal Metallic - Textured	FB47 Bronze Metallic - Textured
FB52 Champagne Metallic	FB53 Red Metallic - Textured		



CERCHIO II™

J. CANOPY FINISH

CF01 White

CF44 Midnight Blue Metallic - Textured

CF52 Champagne Metallic

CF02 Black Metallic - Textured

CF45 Copper Metallic

CF53 Red Metallic - Textured

CF20 Silver Metallic - Textured

CF46 Charcoal Metallic - Textured

CF25 Gold Metallic

CF47 Bronze Metallic - Textured

K. ACOUSTIC PANEL COLORS

AP00 Not required

AP11 Light Gray

AP04 White

AP26 Sesame Gray

AP13 Apple Green

AP27 Black

AP22 Blue

Available up to 48". Larger sizes available with visible seams, consult factory.

Volume Discounts are available on all acoustic products, contact the factory for a quote.

For accompanying non-illuminating acoustic panels see our Acoustic Circles, Quads and Triangles spec pages.

Other finishes available. Consult factory.

L. EMERGENCY

E0 Not required

E2 Emergency system - Remote



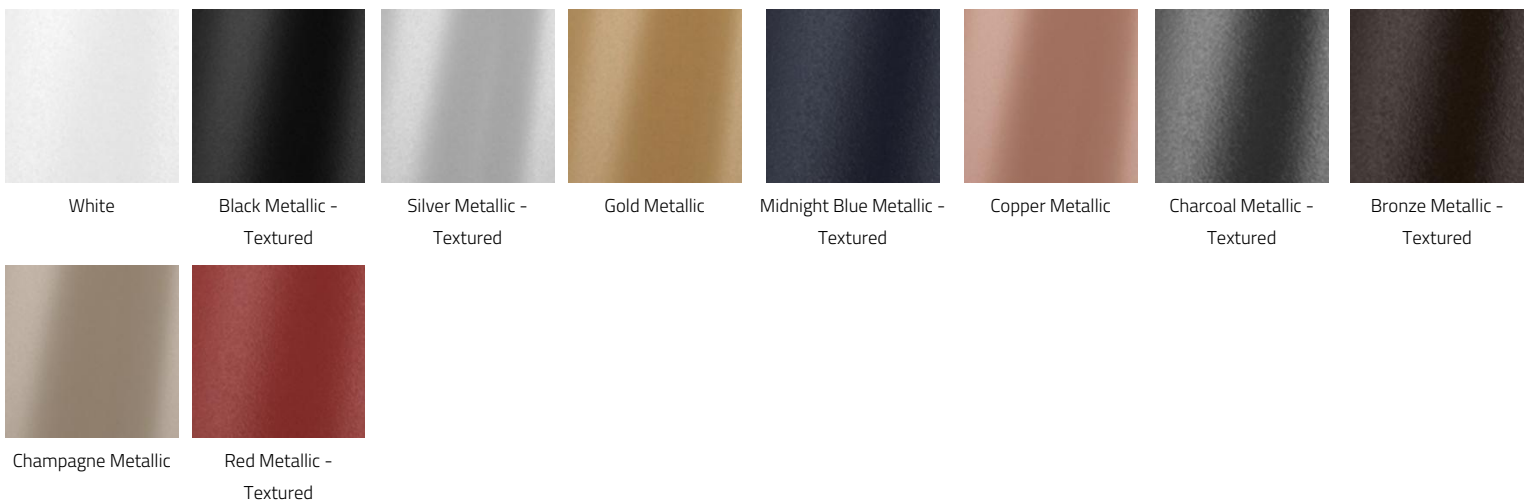
TECHNICAL DATA

LUMINAIRE

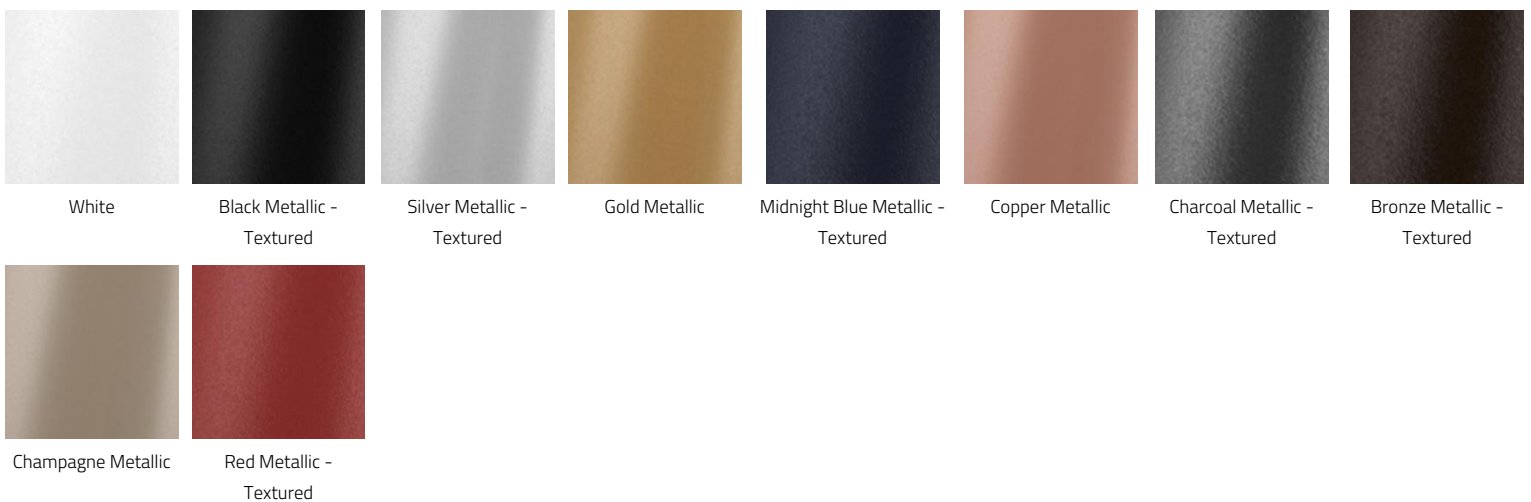
Note: CERP1P05, CERP1P06 & CERP1P07 are c/w 2 remote driver boxes and 2 power cords.

Code	CERP1P02	CERP1P03	CERP1P04	CERP1P05	CERP1P06	CERP1P07
Diameter (A)	2ft	3ft	4ft	5ft	6ft	7ft
Wattage	38	60	83	105	125	147
Delivered lms	4200	6700	9200	11600	13900	16300
LPW	111	111	111	111	111	111
# of Sections	1	1	1	1	1	1
Suspension Points	3	3	3	6	6	6

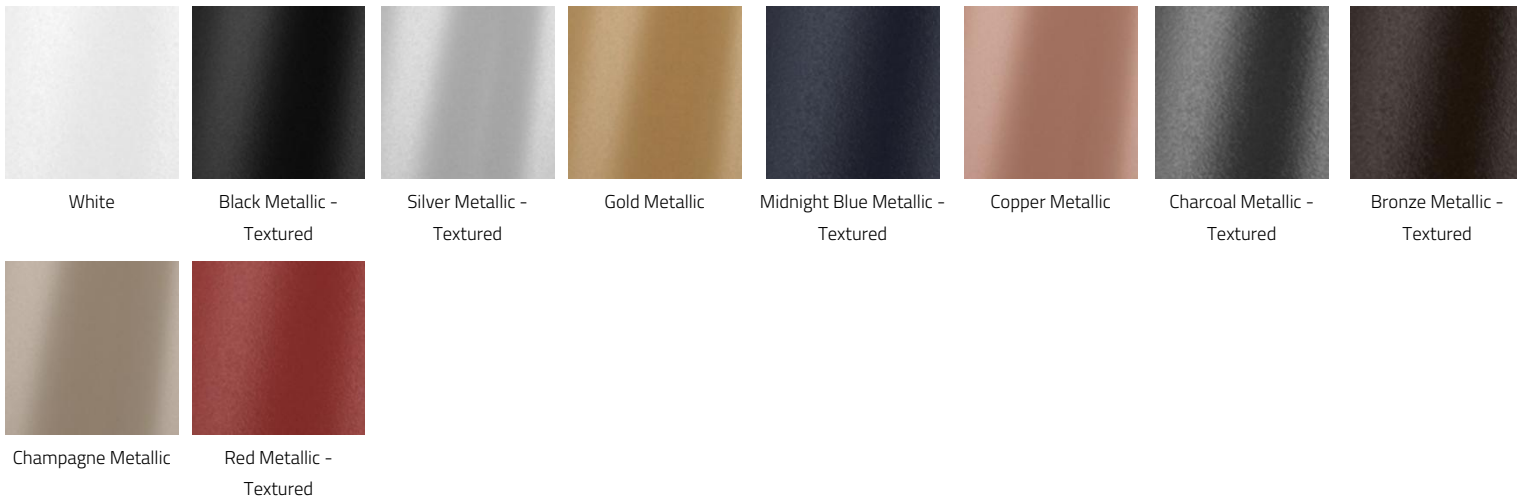
FINISH INNER RING



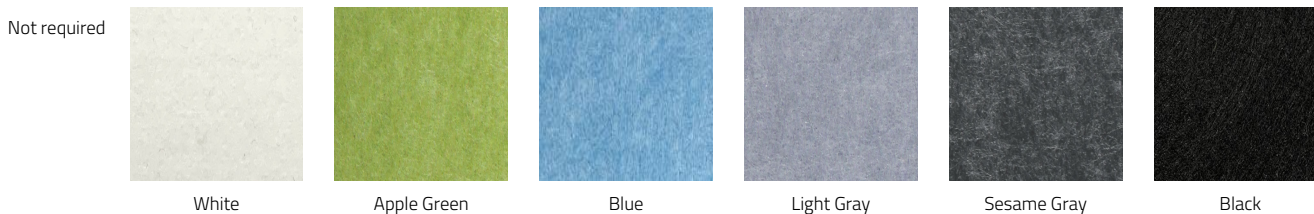
FINISH OUTER RING



FINISH CANOPY



ACOUSTIC PANEL COLORS



Available up to 48". Larger sizes available with visible seams, consult factory.

Volume Discounts are available on all acoustic products, contact the factory for a quote.

For accompanying non-illuminating acoustic panels see our Acoustic Circles, Quads and Triangles spec pages.

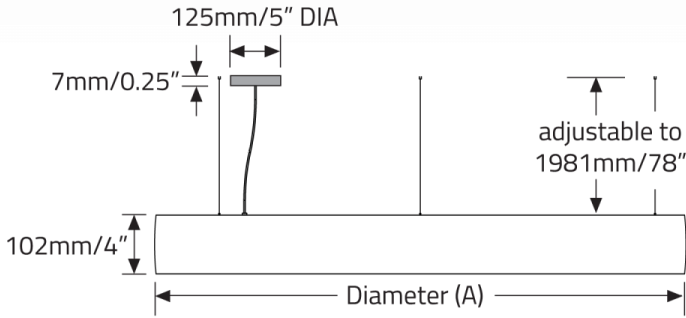
Other finishes available. Consult factory.

APPROVALS

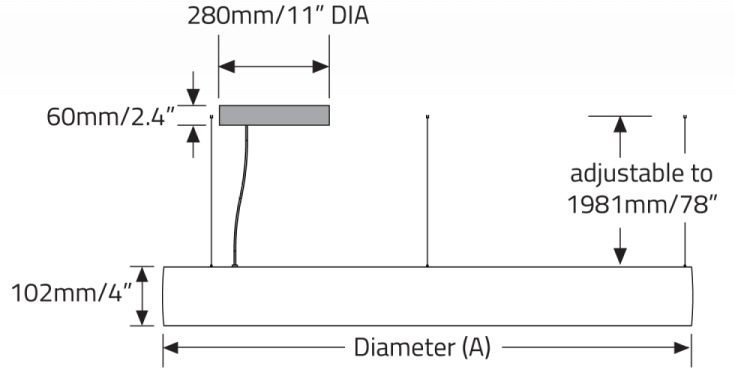


DIMENSIONAL DIAGRAMS

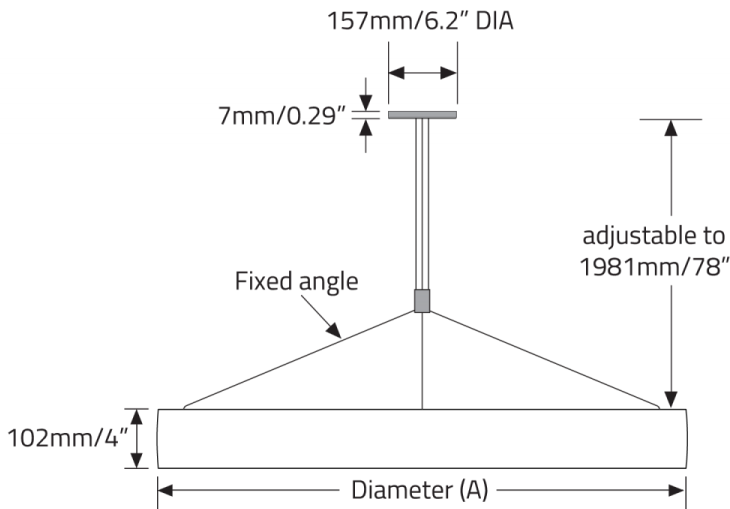
P1 - Vertical, Remote Driver



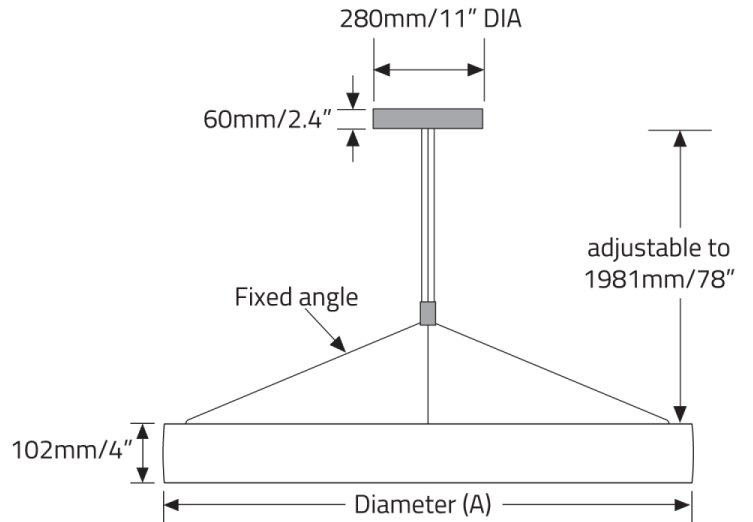
P3 - Vertical, Integral Driver



P2 - Hub, Remote Driver



P4 - Hub, Integral Driver



CERCHIO II™

