

MICRO ELLIPSE II™ - SUSPENDED

Project Name:

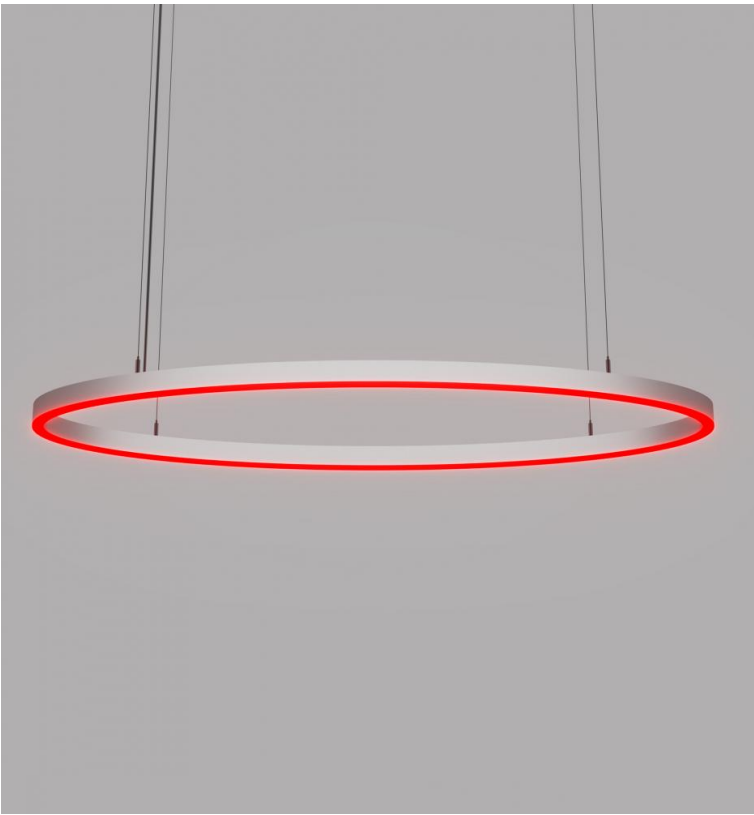
Fixture Type:

Fixture Code:

Quantities:



MICRO ELLIPSE II™ - SUSPENDED



MICRO ELLIPSE II™ - SUSPENDED

No shape is more graceful than the ellipse. With a super-slim 1" profile and lengths ranging from 3' to 7', **MICRO ELLIPSE II** is ideal for creating a lasting impression. The light emission is direct or direct/indirect and adds a halo effect which contributes to the ambient light in the space. For sound comfort, MICRO ELLIPSE II is available with an acoustic panel designed to absorb echo and reverberation associated with open-concept spaces, exposed concrete, open ceilings, and large windows.

GENERAL SPECIFICATION

Body

Aluminum.

Suspension

Stainless steel cables.

Drivers

HPF electronic drivers for 120-277V (EU-240V). The driver is integral to the fixture canopy or remote mount depending on which options are selected.

Mechanical

Luminaires mount directly over J box (by others - North America only).

Remote Emergency

Emergency option provides a 1.5 hour (3 hours for EU) emergency lighting facility. The remote system includes the inverter module, NiCad batteries and a remote wall/ceiling LED charge indicator and test switch (NA only) Maximum distance between wall/ceiling plate and luminaire is 4.5m/15'. Test switch fits a single gang box (not supplied).

Delivered Lumens

Delivered lumens & LPW based on 3000K (min 80 CRI) for White LEDs only.

Acoustic Panels Class A Fire Rating

ASTM E-84 material.

Acoustic Panels Thickness

12mm (0.5").

Approvals

Damp Rated.

Finish

Powder coated.

Power cable

Silver braided.

PoE

Micro Ellipse II can integrate into your data network via Power over Ethernet (PoE) connectivity.

Diffuser

Protruding Lens (2.1mm/0.08").

Remote Mounting Of Drivers

Wire size 18 AWG - max distance (from fixture to drivers) 40', wire size 16 AWG - max distance 60', wire size 14 AWG - max distance 90'. Drivers must be accessible after installation.

Acoustic Panels NRC Rating

0.80.

Acoustic Panels Material

100% recycled polyester fiber (PET).

L70 @25°C

> 60,000 hrs.

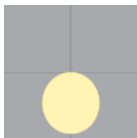
MOUNTING & OPTICS



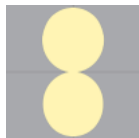
Suspended Direct



Suspended Direct/Indirect



Direct



Direct-indirect



Declare



PoE



MICRO ELLIPSE II™ - SUSPENDED

HOW TO ORDER

A. LUMINAIRE

959010 36", Direct, 2183 lms	959020 48", Direct, 3077 lms	959030 60", Direct, 3950 lms	959040 72", Direct, 4580 lms
959050 84", Direct, 5372 lms	959110 36", Direct/Indirect, 4640 lms	959120 48", Direct/Indirect, 6400 lms	959130 60", Direct/Indirect, 7600 lms
959140 72", Direct/Indirect, 9040 lms	959150 84", Direct/Indirect, 10800 lms		

B. CCT/COLOR (DIRECT)

D27 2700K (min 80 CRI) ¹	D30 3000K (min 80 CRI)	D35 3500K (min 80 CRI)	D40 4000K (min 80 CRI)
DRD Red	DGN Green	DBL Blue	

CR90 (CRI 90+) available upon request, consult factory.

¹ Longer than normal lead times may apply, consult factory.

C. CCT/COLOR (INDIRECT)

N27 2700K (min 80 CRI) ¹	N30 3000K (min 80 CRI)	N35 3500K (min 80 CRI)	N40 4000K (min 80 CRI)
NRD Red	NGN Green	NBL Blue	

CR90 (CRI 90+) available upon request, consult factory.

¹ Longer than normal lead times may apply, consult factory.

D. SUSPENSION

S1 Vertical, Remote Driver	S2 Hub, Remote Driver	S3 Vertical, Integral Driver	S4 Hub, Integral Driver
-----------------------------------	------------------------------	-------------------------------------	--------------------------------

Direct Only light distribution not available with S2 or S4 suspension for size 1524mm/60" and larger

Direct/Indirect light distribution not available with S2 or S4 suspension for sizes 1524mm/60" and 1829mm/72" and S2, S3 or S4 for 2134mm/84"

E. DIMMING (REMOTE ONLY)

D1 0-10V Dimming 1.0%	D10 0-10V Dimming 10.0%	D4 DALI Dimming 0.1%	D5 DALI Dimming 1.0%
DA45 PoE			

959140 & 959150 not available with DALI when combined with S3 or S4 suspension.

DA45 must be used with EV only.

F. FINISH

WH White	BL Black Metallic Textured	MS Silver Metallic Textured
-----------------	-----------------------------------	------------------------------------

G. LUMEN & WATTAGE REDUCTION

PRO Lumen & Wattage Reduction to approximately 25% of standard output	PR1 Lumen & Wattage Reduction to approximately 50% of standard output	PR2 Lumen & Wattage Reduction to approximately 75% of standard output
--	--	--

Note: Custom Reduction Percentages Available Upon Request.

H. OPTIONS

RE Remote Emergency System

MICRO ELLIPSE II™ - SUSPENDED

I. ACOUSTIC PANEL COLOR

AP00 Not required

AP04 White

AP13 Apple Green

AP22 Blue

AP11 Light Gray

AP26 Sesame Gray

AP27 Black

Available up to 48" diameter. Acoustic panels available in larger sizes have visible seams. Consult factory.
Volume Discounts are available on all acoustic products, contact the factory for a quote.
For accompanying non-illuminating acoustic panels see our Acoustic Circles, Quads and Triangles spec pages.
Other finishes available. Consult factory.

J. OPTIONAL LOW VOLTAGE

EV Low Voltage

To be used with DA45 only.



MICRO ELLIPSE II™ - SUSPENDED

TECHNICAL DATA

LUMINAIRE

Code	959010	959020	959030	959040	959050	959110
O/A Length	36"	48"	60"	72"	84"	36"
Light Direction	Direct	Direct	Direct	Direct	Direct	Direct/Indirect
Power	28W	39W	50W	58W	68W	58W
Delivered lms	2183	3077	3950	4580	5372	4640
LPW	78	79	79	79	79	80
# of Sections	1	1	1	1	1	1
Suspension Points	4	4	4	4	4	4
Code	959120	959130	959140	959150		
O/A Length	48"	60"	72"	84"		
Light Direction	Direct/Indirect	Direct/Indirect	Direct/Indirect	Direct/Indirect		
Power	80W	95W	113W	135W		
Delivered lms	6400	7600	9040	10800		
LPW	80	80	80	80		
# of Sections	1	1	1	1		
Suspension Points	4	4	4	4		

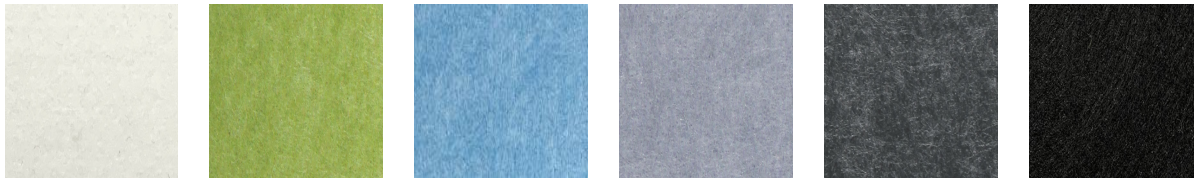
FINISH



White Black Metallic Textured Silver Metallic Textured

ACOUSTIC PANEL COLOR

Not required



White Apple Green Blue Light Gray Sesame Gray Black

Available up to 48" diameter. Acoustic panels available in larger sizes have visible seams. Consult factory.

Volume Discounts are available on all acoustic products, contact the factory for a quote.

For accompanying non-illuminating acoustic panels see our Acoustic Circles, Quads and Triangles spec pages.

Other finishes available. Consult factory.

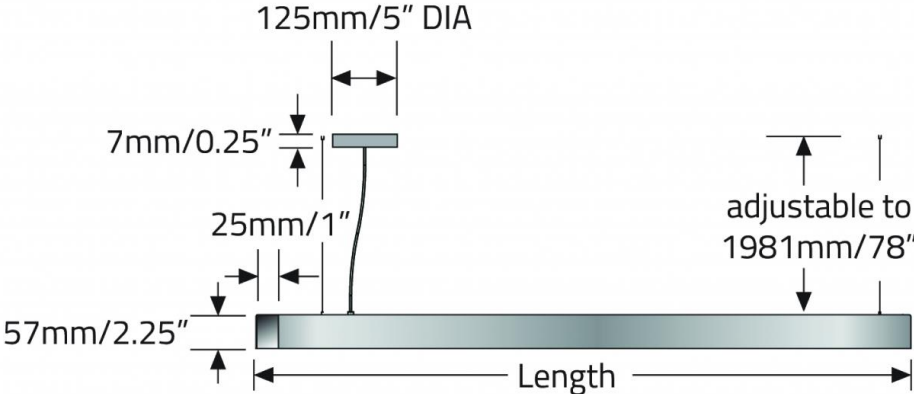
APPROVALS



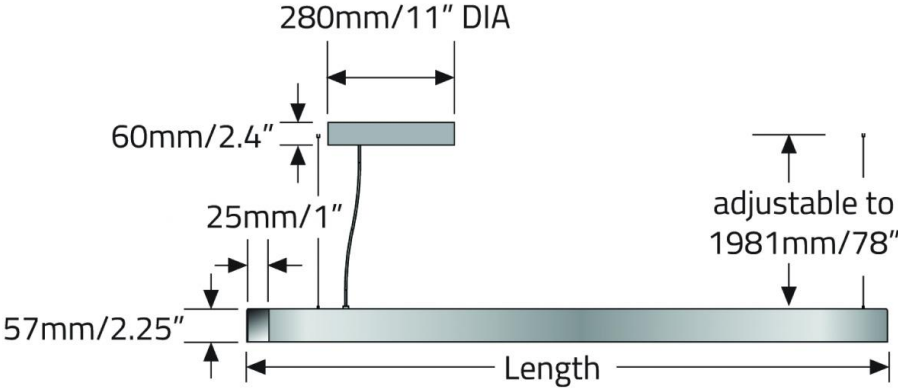
MICRO ELLIPSE II™ - SUSPENDED

DIMENSIONAL DIAGRAMS

S1 VERTICAL - REMOTE DRIVER

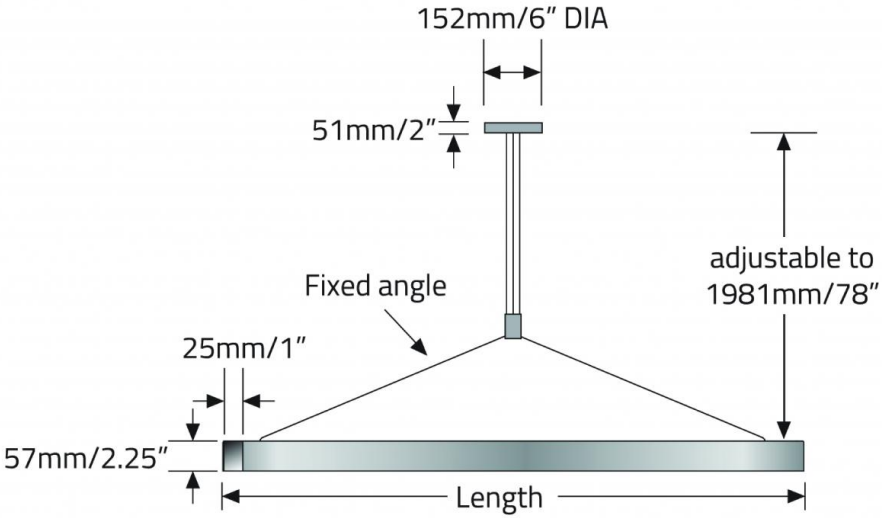


S3 VERTICAL - INTEGRAL DRIVER



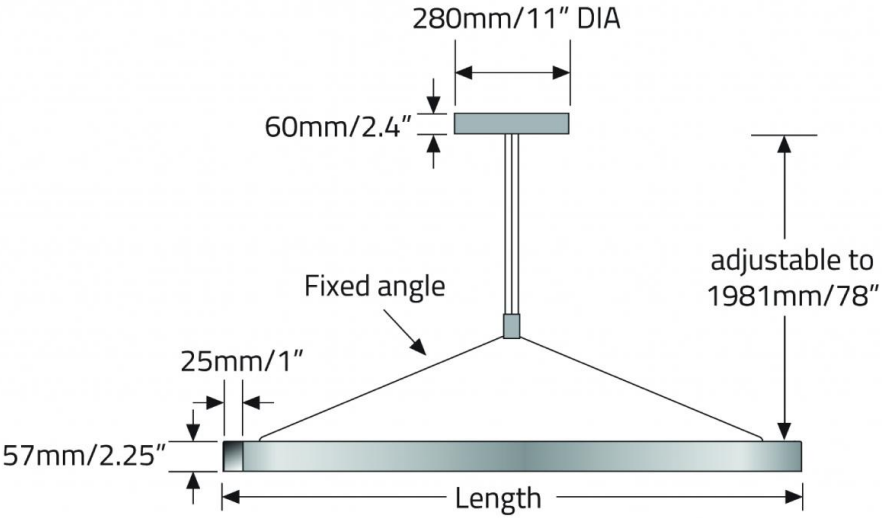
MICRO ELLIPSE II™ - SUSPENDED

S2 HUB - REMOTE DRIVER



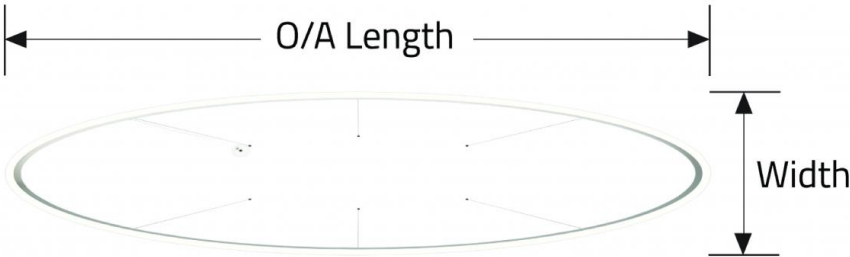
Direct: Available up to 1219mm/48" DIA only.
Direct/Indirect: Available up to 1219mm/48" DIA only.

S4 HUB - INTEGRAL DRIVER



Direct: Available up to 1219mm/48" DIA only.
Direct/Indirect: Available up to 1219mm/48" DIA only.

MICRO ELLIPSE II™ - SUSPENDED



- O/A Length X Width:**
914mm/36" X 406mm/16"
1219mm/48" X 483mm/19"
1524mm/60" X 559mm/22"
1829mm/72" X 635mm/25"
2134mm/84" X 711mm/28"