

Microline

09



Body

Surface mounted LED system in extruded aluminium.
Available in different length configurations starting from 40mm with increment of 35mm.
Section diameter 9mm.

Mounting options:
Integrated magnets for easy installation.
L mounting brackets.
U mounting clips.

*** Plastic free packaging.**

Accessories

Mounting accessories included.
Power extension cable Art. 2D58 to be ordered separately.

Finish

Anodized black, white, brass polished, gold or aluminium finish. Other finish options available on request.

LED sources

SMD.
CRI: 97 | R9: >90 | CCT: 2700K, 3000K, 3500K, 4000K.
3-Step MacAdam.
Other CRI and CCT options available on request.

Optic

Extra Wide Beam Angle.
Opal Diffuser (OD).
Lenticular Transparent Diffuser (TD).

Driver

Driver not included to be ordered separately.
Work with 24V Constant Voltage Driver positioned remotely.

Applications

Miniature linear light with a disappearing look delivers an homogenous and diffuse light effect, making it the ideal product for showcase and under cabinet illumination.
Application areas: Retail, cabinet displays, showcases, jewelry displays, residential, restaurants, museums.

Related Products

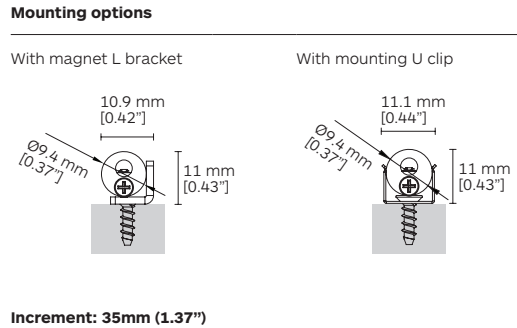
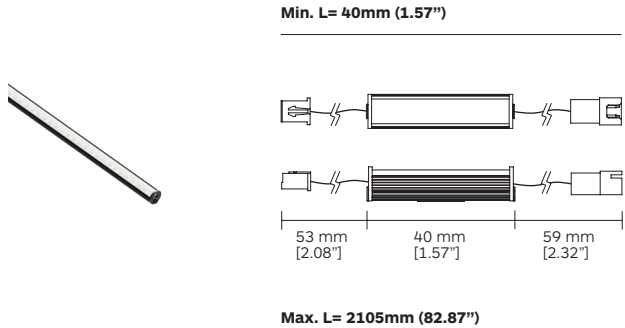
**Microline
Ø14**



**Microline
Ø14 Chain**



Microline Ø9 | 17W/m | G421



Available length codes ¹

LED Power	Length code	Length in mm	Length in inches	Nominal Lumen	LED Power	Length code	Length in mm	Length in inches	Nominal Lumen	LED Power	Length code	Length in mm	Length in inches	Nominal Lumen
0.54W	0040	40	1.57	59 lm	11.34W	0740	740	29.13	1239 lm	22.14W	1440	1440	56.69	2419 lm
1.08W	0075	75	2.95	118 lm	11.88W	0775	775	30.51	1298 lm	22.68W	1475	1475	58.07	2478 lm
1.62W	0110	110	4.33	177 lm	12.42W	0810	810	31.88	1357 lm	23.22W	1510	1510	59.44	2537 lm
2.16W	0145	145	5.70	236 lm	12.96W	0845	845	33.26	1416 lm	23.76W	1545	1545	60.82	2596 lm
2.70W	0180	180	7.08	295 lm	13.50W	0880	880	34.64	1475 lm	24.30W	1580	1580	62.20	2655 lm
3.24W	0215	215	8.46	354 lm	14.04W	0915	915	36.02	1534 lm	24.84W	1615	1615	63.58	2714 lm
3.78W	0250	250	9.84	413 lm	14.58W	0950	950	37.40	1593 lm	25.38W	1650	1650	64.96	2773 lm
4.32W	0285	285	11.22	472 lm	15.12W	0985	985	38.77	1652 lm	25.92W	1685	1685	66.33	2832 lm
4.86W	0320	320	12.59	531 lm	15.66W	1020	1020	40.15	1711 lm	26.46W	1720	1720	67.71	2891 lm
5.40W	0355	355	13.97	590 lm	16.20W	1055	1055	41.53	1770 lm	27.00W	1755	1755	69.09	2950 lm
5.94W	0390	390	15.35	649 lm	16.74W	1090	1090	42.91	1829 lm	27.54W	1790	1790	70.47	3009 lm
6.48W	0425	425	16.73	708 lm	17.28W	1125	1125	44.29	1888 lm	28.08W	1825	1825	71.85	3068 lm
7.02W	0460	460	18.11	767 lm	17.82W	1160	1160	45.66	1947 lm	28.62W	1860	1860	73.22	3127 lm
7.56W	0495	495	19.48	826 lm	18.36W	1195	1195	47.04	2006 lm	29.16W	1895	1895	74.60	3186 lm
8.10W	0530	530	20.86	885 lm	18.90W	1230	1230	48.42	2065 lm	29.70W	1930	1930	75.98	3245 lm
8.64W	0565	565	22.24	944 lm	19.44W	1265	1265	49.80	2124 lm	30.24W	1965	1965	77.36	3304 lm
9.18W	0600	600	23.62	1003 lm	19.98W	1300	1300	51.18	2183 lm	30.78W	2000	2000	78.74	3363 lm
9.72W	0635	635	25.00	1062 lm	20.52W	1335	1335	52.55	2242 lm	31.32W	2035	2035	80.11	3422 lm
10.26W	0670	670	26.37	1121 lm	21.06W	1370	1370	53.93	2301 lm	31.86W	2070	2070	81.49	3481 lm
10.80W	0705	705	27.75	1180 lm	21.60W	1405	1405	55.31	2360 lm	32.40W	2105	2105	82.87	3540 lm

Code ordering example: **G 4 2 1 0 0 4 0 - 9 7 2 7 O D 0 0 1 0**

	Product code*	Length code***	>CRI	CCT**	LED Power	Nominal Lumen	Diffuser	Light Source Code	Finish
Microline Ø9	G421	Min. 0040	97	27 2700K	17W/m	1564 lm/m	OD	00	10 ■ Black
		⋮		30 3000K		1677 lm/m	TD		11 □ White
		Max. 2105		35 3500K		1734 lm/m			28 ■ Brass Polished
				40 4000K		1763 lm/m			35 ■ Gold
									70 ■ Aluminium

Notes:

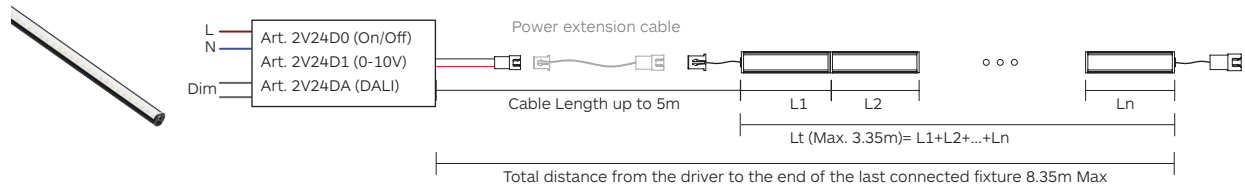
¹ Information in the chart above is related to 3000K LED.

Driver Options

Constant Voltage

Microline Ø9

2V24 Constant Voltage LED Driver. 1 Driver for Maximum 3.35m long fixtures.



G421

Power extension cable. Art. **2D58**. 1m (if necessary).

Vin= 90-305V AC 50/60Hz
Vout= 24VDC 2.5A 60W Max.
Dimensions: 150x53x35mm
IP20