

# Microline

Ø14 Chain



## Body

Surface mounted modular flexible LED system in extruded aluminium.

Available in different length configurations based on 65mm link with a 75mm increment.  
Section 14mm diameter.

Mounting options:

Integrated magnets for easy installation.

L mounting brackets.

U mounting clips.

**\* Plastic free packaging.**

## Accessories

Mounting accessories included.

Power extension cable Art. 2D58 to be ordered separately.

## Finish

Anodized black, white, brass polished, gold or aluminium finish. Other finish options available on request.

## LED sources

SMD.

CRI: 93 & 97 | R9: >90 | CCT: 1800K, 2200K, 2400K, 2700K, 3000K, 3500K, 4000K.

3-Step MacAdam.

Other CRI and CCT options available on request.

## Optic

Extra Wide Beam Angle.

Opal Diffuser (OD).

Lenticular Transparent Diffuser (TD).

## Driver

Driver not included to be ordered separately.

Work with 24V Constant Voltage Driver positioned remotely.

## Applications

Curvaceous miniature linear light with a disappearing look delivers an homogenous and diffuse light effect. its peculiar structure allow it to fit in cove curved surfaces. Application areas: Retail, cabinet displays, showcases, jewelry displays, residential, restaurants, museums.

## Related Products

**Microline  
Ø9**



**Microline  
Ø14**



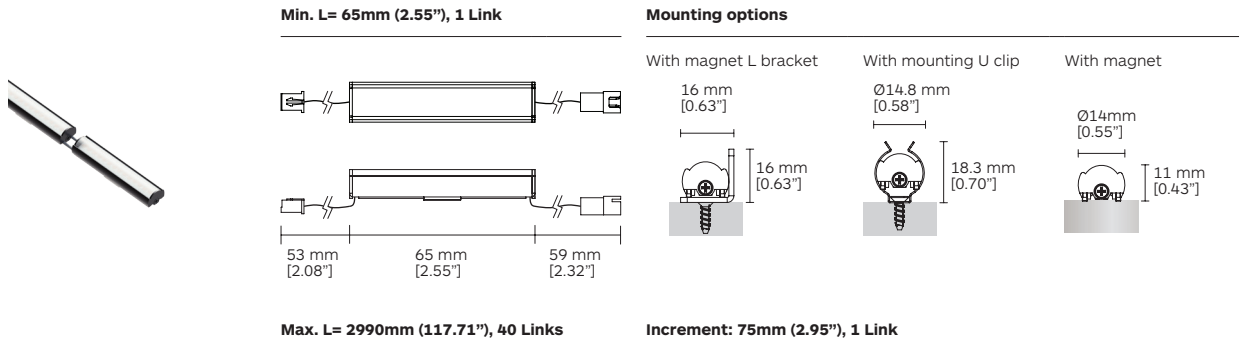
**Microline  
Spot**



**Microline  
Spot Chain**



# Microline Ø14 Chain | 1.2W/Link | G435



## Available length codes <sup>1</sup>

No. of Links	LED Power	Length code	Length in mm	Length in inches	Nominal Lumen	No. of Links	LED Power	Length code	Length in mm	Length in inches	Nominal Lumen
1	1.20W	<b>0065</b>	65	2.56	140 lm	21	25.20W	<b>1565</b>	1565	61.61	2940 lm
2	2.40W	<b>0140</b>	140	5.51	280 lm	22	26.40W	<b>1640</b>	1640	64.57	3080 lm
3	3.60W	<b>0215</b>	215	8.46	420 lm	23	27.60W	<b>1715</b>	1715	67.52	3220 lm
4	4.80W	<b>0290</b>	290	11.42	560 lm	24	28.80W	<b>1790</b>	1790	70.47	3360 lm
5	6.00W	<b>0365</b>	365	14.37	700 lm	25	30.00W	<b>1865</b>	1865	73.43	3500 lm
6	7.20W	<b>0440</b>	440	17.32	840 lm	26	31.20W	<b>1940</b>	1940	76.38	3640 lm
7	8.40W	<b>0515</b>	515	20.28	980 lm	27	32.40W	<b>2015</b>	2015	79.33	3780 lm
8	9.60W	<b>0590</b>	590	23.23	1120 lm	28	33.60W	<b>2090</b>	2090	82.28	3920 lm
9	10.80W	<b>0665</b>	665	26.18	1260 lm	29	34.80W	<b>2165</b>	2165	85.24	4060 lm
10	12.00W	<b>0740</b>	740	29.13	1400 lm	30	36.00W	<b>2240</b>	2240	88.19	4200 lm
11	13.20W	<b>0815</b>	815	32.09	1540 lm	31	37.20W	<b>2315</b>	2315	91.14	4340 lm
12	14.40W	<b>0890</b>	890	35.04	1680 lm	32	38.40W	<b>2390</b>	2390	94.09	4480 lm
13	15.60W	<b>0965</b>	965	37.99	1820 lm	33	39.60W	<b>2465</b>	2465	97.05	4620 lm
14	16.80W	<b>1040</b>	1040	40.94	1960 lm	34	40.80W	<b>2540</b>	2540	100.00	4760 lm
15	18.00W	<b>1115</b>	1115	43.90	2100 lm	35	42.00W	<b>2615</b>	2615	102.95	4900 lm
16	19.20W	<b>1190</b>	1190	46.85	2240 lm	36	43.20W	<b>2690</b>	2690	105.91	5040 lm
17	20.40W	<b>1265</b>	1265	49.80	2380 lm	37	44.40W	<b>2765</b>	2765	108.86	5180 lm
18	21.60W	<b>1340</b>	1340	52.76	2520 lm	38	45.60W	<b>2840</b>	2840	111.81	5320 lm
19	22.80W	<b>1415</b>	1415	55.71	2660 lm	39	46.80W	<b>2915</b>	2915	114.76	5460 lm
20	24.00W	<b>1490</b>	1490	58.66	2800 lm	40	48.00W	<b>2990</b>	2990	117.72	5600 lm

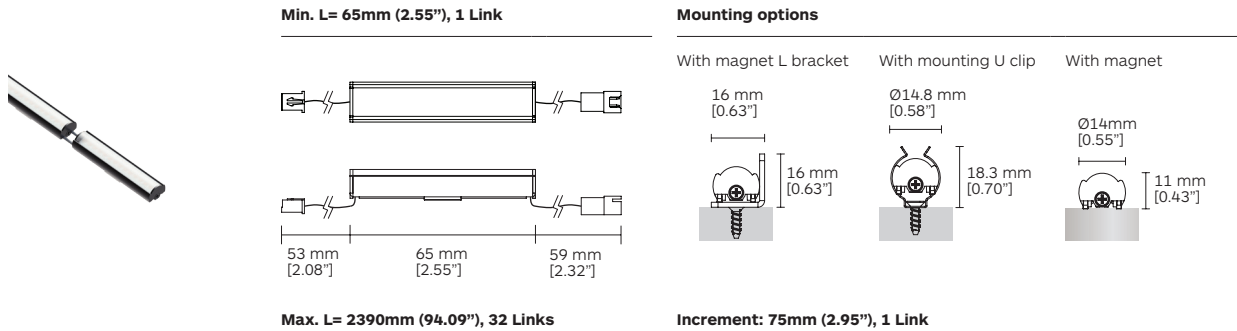
Code ordering example: **G 4 3 5 0 0 6 5 - 9 7 2 7 O D 0 0 1 0**

	Product code*	Length code***	>CRI	CCT**	LED Power	Nominal Lumen	Diffuser	Light Source Code	Finish
Microline Ø14 Chain 1.2W/link	<b>G435</b>	Min. <b>0065</b> : Max. <b>2990</b>	<b>97</b>	<b>27</b> 2700K	1.2W/Link	126 lm/m	<b>OD</b>	<b>00</b>	<b>10</b> ■ Black
				<b>30</b> 3000K	140 lm/m	<b>TD</b>			<b>11</b> □ White
				<b>35</b> 3500K	140 lm/m		<b>28</b> ■ Brass Polished		
				<b>40</b> 4000K	142 lm/m		<b>35</b> ■ Gold		
				<b>93</b>	<b>18</b> 1800K	82 lm/m	<b>1Y</b>		<b>70</b> ■ Aluminium
				<b>22</b> 2200K	108 lm/m				
				<b>95</b>	<b>24</b> 2400K	114 lm/m			

## Notes:

<sup>1</sup> Information in the chart above is related to 3000K LED.

# Microline Ø14 Chain | 1.9W/Link | G436



## Available length codes <sup>1</sup>

No. of Links	LED Power	Length code	Length in mm	Length in inches	Nominal Lumen	No. of Links	LED Power	Length code	Length in mm	Length in inches	Nominal Lumen
1	1.86W	<b>0065</b>	65	2.56	194 lm	17	31.62W	<b>1265</b>	1265	49.80	3298 lm
2	3.72W	<b>0140</b>	140	5.51	388 lm	18	33.48W	<b>1340</b>	1340	52.76	3492 lm
3	5.58W	<b>0215</b>	215	8.46	582 lm	19	33.34W	<b>1415</b>	1415	55.71	3686 lm
4	7.44W	<b>0290</b>	290	11.42	776 lm	20	37.20W	<b>1490</b>	1490	58.66	3880 lm
5	9.30W	<b>0365</b>	365	14.37	970 lm	21	39.06W	<b>1565</b>	1565	61.61	4074 lm
6	11.16W	<b>0440</b>	440	17.32	1164 lm	22	40.92W	<b>1640</b>	1640	64.57	4268 lm
7	13.02W	<b>0515</b>	515	20.28	1358 lm	23	42.78W	<b>1715</b>	1715	67.52	4462 lm
8	14.88W	<b>0590</b>	590	23.23	1552 lm	24	44.64W	<b>1790</b>	1790	70.47	4656 lm
9	16.74W	<b>0665</b>	665	26.18	1746 lm	25	46.50W	<b>1865</b>	1865	73.43	4850 lm
10	18.60W	<b>0740</b>	740	29.13	1940 lm	26	48.36W	<b>1940</b>	1940	76.38	5044 lm
11	20.46W	<b>0815</b>	815	32.09	2134 lm	27	50.22W	<b>2015</b>	2015	79.33	5238 lm
12	22.32W	<b>0890</b>	890	35.04	2328 lm	28	52.08W	<b>2090</b>	2090	82.28	5432 lm
13	24.18W	<b>0965</b>	965	37.99	2522 lm	29	53.94W	<b>2165</b>	2165	85.24	5626 lm
14	26.04W	<b>1040</b>	1040	40.94	2716 lm	30	55.80W	<b>2240</b>	2240	88.19	5820 lm
15	27.90W	<b>1115</b>	1115	43.90	2910 lm	31	57.66W	<b>2315</b>	2315	91.14	6014 lm
16	29.76W	<b>1190</b>	1190	46.85	3104 lm	32	59.52W	<b>2390</b>	2390	94.09	6208 lm

Code ordering example: **G 4 3 6 0 0 6 5 - 9 7 2 7 O D 0 0 1 0**

	Product code*	Length code***	>CRI	CCT**	LED Power	Nominal Lumen	Diffuser	Light Source Code	Finish
Microline Ø14 Chain 1.9W/link	<b>G436</b>	Min. <b>0065</b>	<b>97</b>	<b>27</b> 2700K	1.9W/Link	184 lm/m	<b>OD</b>	<b>00</b>	<b>10</b> ■ Black
		⋮		<b>30</b> 3000K		194 lm/m			<b>TD</b>
		Max. <b>2390</b>		<b>35</b> 3500K		198 lm/m		<b>28</b> ■ Brass Polished	
				<b>40</b> 4000K		206 lm/m		<b>35</b> ■ Gold	
								<b>70</b> ■ Aluminium	

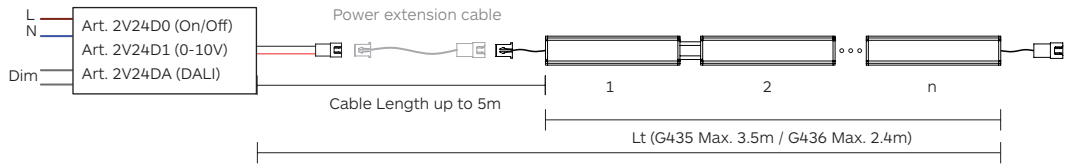
### Notes:

<sup>1</sup> Information in the chart above is related to 3000K LED.

# Driver Options

## Constant Voltage

### Microline Ø14 Chain



2V24 Constant Voltage LED Driver.  
1 Driver for Maximum 47 links G435 about 3.5m / 32 links G436 about 2.4m long fixtures.

### G435 / G436

Power extension cable. Art. **2D58**. 1m (if necessary).

Vin= 90~305V AC 50/60Hz  
Vout= 24VDC 2.5A 60W Max.  
Dimensions: 150x53x35mm  
IP20