

Microline

7 x 7



Body

Surface mounted LED system in extruded aluminium.
Available in different length configurations starting from 50mm with increment of 45mm.
Section 7x7mm.

Mounting options:
Integrated magnets for easy installation.
L mounting brackets.
U mounting clips.

*** Plastic free packaging.**

Accessories

Mounting accessories included.
Power extension cable Art. 2D58 to be ordered separately.

Finish

Anodized black, white, brass polished, gold or aluminium finish. Other finish options available on request.

LED sources

SMD.
CRI: 93, 95 & 97 | R9: >90 | CCT: 1800K, 2200K, 2400K, 2700K, 3000K, 3500K, 4000K.
3-Step MacAdam.
Other CRI and CCT options available on request.

Optic

Extra Wide Beam Angle.
Opal Diffuser (OD).
Lenticular Transparent Diffuser (TD).
Opal Rigid Diffuser (RD).

Driver

Driver not included to be ordered separately.
Work with 24V Constant Voltage Driver positioned remotely.

Applications

Miniature linear light with a disappearing look delivers an homogenous and diffuse light effect, making it the ideal product for showcase and under cabinet illumination.
Application areas: Retail, cabinet displays, showcases, jewelry displays, residential, restaurants, museums.

Related Products

Microline
5 x 5



Microline
7 x 7 Chain



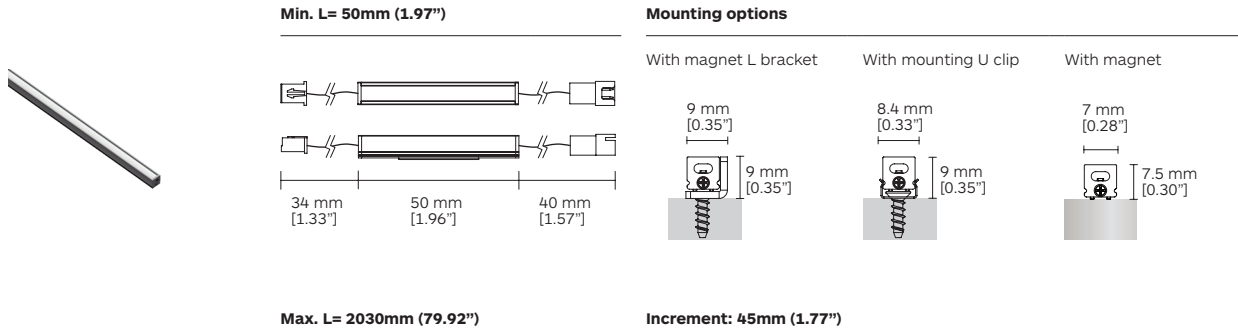
Microline
7 x 7 Corner



Microline
7 x 7 Corner Chain



Microline 7 x 7 | 16W/m & 14W/m | G447



Available length codes ¹

LED Power	Length code	Length in mm	Length in inches	Nominal Lumen	LED Power	Length code	Length in mm	Length in inches	Nominal Lumen
0.72W	0050	50	1.97	73 lm	17.28W	1085	1085	42.72	1752 lm
1.44W	0095	95	3.74	146 lm	18W	1130	1130	44.49	1825 lm
2.16W	0140	140	5.51	219 lm	18.72W	1175	1175	46.26	1898 lm
2.88W	0185	185	7.28	292 lm	19.44W	1220	1220	48.03	1971 lm
3.60W	0230	230	9.06	365 lm	20.16W	1265	1265	49.80	2044 lm
4.32W	0275	275	10.83	438 lm	20.88W	1310	1310	51.57	2117 lm
5.04W	0320	320	12.60	511 lm	21.60W	1355	1355	53.35	2190 lm
5.76W	0365	365	14.37	584 lm	22.32W	1400	1400	55.12	2263 lm
6.48W	0410	410	16.14	657 lm	23.04W	1445	1445	56.89	2336 lm
7.20W	0455	455	17.91	730 lm	23.76W	1490	1490	58.66	2409 lm
7.92W	0500	500	19.69	803 lm	24.48W	1535	1535	60.43	2482 lm
8.64W	0545	545	21.46	876 lm	25.20W	1580	1580	62.20	2555 lm
9.36W	0590	590	23.23	949 lm	25.92W	1625	1625	63.98	2628 lm
10.08W	0635	635	25.00	1022 lm	26.64W	1670	1670	65.75	2701 lm
10.80W	0680	680	26.77	1095 lm	27.36W	1715	1715	67.52	2774 lm
11.52W	0725	725	28.54	1168 lm	28.08W	1760	1760	69.29	2847 lm
12.24W	0770	770	30.31	1241 lm	28.80W	1805	1805	71.06	2920 lm
12.96W	0815	815	32.09	1314 lm	29.52W	1850	1850	72.83	2993 lm
13.68W	0860	860	33.86	1387 lm	30.24W	1895	1895	74.61	3066 lm
14.40W	0905	905	35.63	1460 lm	30.96W	1940	1940	76.38	3139 lm
15.12W	0950	950	37.40	1533 lm	31.68W	1985	1985	78.15	3212 lm
15.84W	0995	995	39.17	1606 lm	32.40W	2030	2030	79.92	3285 lm
16.56W	1040	1040	40.94	1679 lm					

Code ordering example: **G 4 4 7 0 0 5 0 - 9 7 2 7 O D 0 0 1 0**

	Product code*	Length code***	>CRI	CCT**	LED Power	Nominal Lumen	Diffuser	Light Source Code	Finish	
Microline 7 x 7	G447	Min. 0050	97	27 2700K	16W/m	1526 lm/m	OD	00	10 ■ Black	
		⋮		30 3000K		1614 lm/m			TD	11 □ White
		Max. 2030		35 3500K		1636 lm/m			RD	28 ■ Brass Polished
				40 4000K	1658 lm/m	35 ■ Gold				
					93 18 1800K	14W/m	951 lm/m	3Y		70 ■ Aluminium
				22 2200K	1128 lm/m					
				95 24 2400K	1194 lm/m					

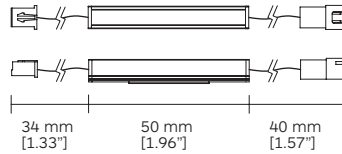
Notes:

¹ Information in the chart above is related to 3000K LED.

Microline 7 x 7 | 14W/m | G475



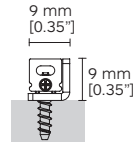
Min. L= 50mm (1.97")



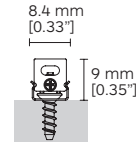
Max. L= 2030mm (79.92")

Mounting options

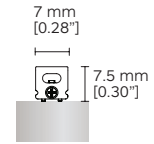
With magnet L bracket



With mounting U clip



With magnet



Increment: 45mm (1.77")

Available length codes ¹

LED Power	Length code	Length in mm	Length in inches	Nominal Lumen	LED Power	Length code	Length in mm	Length in inches	Nominal Lumen
0.63W	0050	50	1.97	63 lm	15.12W	1085	1085	42.72	1512 lm
1.26W	0095	95	3.74	126 lm	15.75W	1130	1130	44.49	1575 lm
1.89W	0140	140	5.51	189 lm	16.38W	1175	1175	46.26	1638 lm
2.52W	0185	185	7.28	252 lm	17.01W	1220	1220	48.03	1701 lm
3.15W	0230	230	9.06	315 lm	17.64W	1265	1265	49.80	1764 lm
3.78W	0275	275	10.83	378 lm	18.27W	1310	1310	51.57	1827 lm
4.41W	0320	320	12.60	441 lm	18.90W	1355	1355	53.35	1890 lm
5.04W	0365	365	14.37	504 lm	19.53W	1400	1400	55.12	1953 lm
5.67W	0410	410	16.14	567 lm	20.16W	1445	1445	56.89	2016 lm
6.30W	0455	455	17.91	630 lm	20.79W	1490	1490	58.66	2079 lm
6.93W	0500	500	19.69	693 lm	21.42W	1535	1535	60.43	2142 lm
7.56W	0545	545	21.46	756 lm	22.05W	1580	1580	62.20	2205 lm
8.19W	0590	590	23.23	819 lm	22.68W	1625	1625	63.98	2268 lm
8.82W	0635	635	25.00	882 lm	23.31W	1670	1670	65.75	2331 lm
9.45W	0680	680	26.77	945 lm	23.94W	1715	1715	67.52	2394 lm
10.08W	0725	725	28.54	1008 lm	24.57W	1760	1760	69.29	2457 lm
10.71W	0770	770	30.31	1071 lm	25.20W	1805	1805	71.06	2520 lm
11.34W	0815	815	32.09	1134 lm	25.83W	1850	1850	72.83	2583 lm
11.97W	0860	860	33.86	1197 lm	26.46W	1895	1895	74.61	2646 lm
12.60W	0905	905	35.63	1260 lm	27.09W	1940	1940	76.38	2709 lm
13.23W	0950	950	37.40	1323 lm	27.72W	1985	1985	78.15	2772 lm
13.86W	0995	995	39.17	1386 lm	28.35W	2030	2030	79.92	2835 lm
14.49W	1040	1040	40.94	1449 lm					

Code ordering example: **G 4 7 5 0 0 5 0 - 9 7 2 7 OD 0 0 1 0**

	Product code*	Length code***	>CRI	CCT**	LED Power	Nominal Lumen	Diffuser	Light Source Code	Finish
Microline 7 x 7	G475	Min. 0050	97	27 2700K	14W/m	1371 lm/m	OD	00	10 ■ Black
		⋮		30 3000K		1393 lm/m	TD		11 □ White
		Max. 2030		35 3500K		1437 lm/m	RD		28 ■ Brass Polished
				40 4000K		1459 lm/m			35 ■ Gold
									70 ■ Aluminium

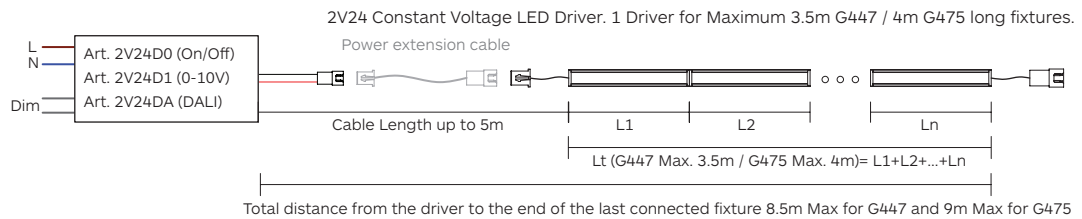
Notes:

¹ Information in the chart above is related to 3000K LED.

Driver Options

Constant Voltage

Microline 7 x 7



G447 / G475

Power extension cable. Art. **2D58**. 1m (if necessary).

Vin= 90~305V AC 50/60Hz
 Vout= 24VDC 2.5A 60W Max.
 Dimensions: 150x53x35mm
 IP20