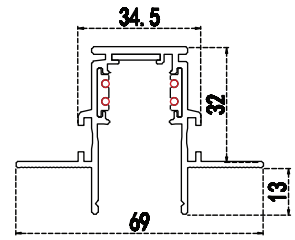


INSTRUCTION SHEET OF TRIMLESS RECESSED MAGNETIC DEEP TRACK

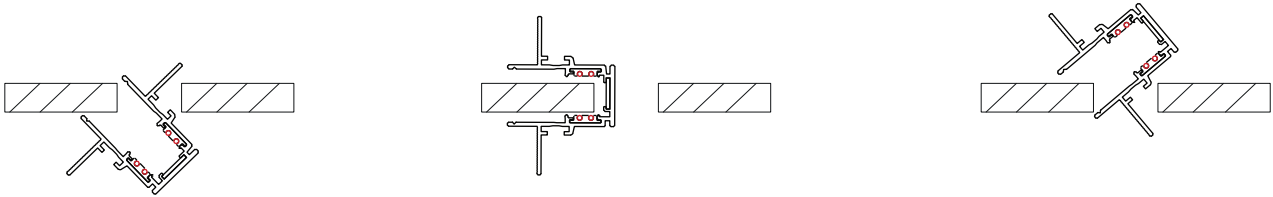
Cautions:

1. Make sure the power stay on power "OFF" position before safe operation;
2. The installation operator must hold a qualified electrician certificate.
3. Check the lighting fixture and accessories before installation. If there is any damage in lamp body or glass ,please stop the installation.

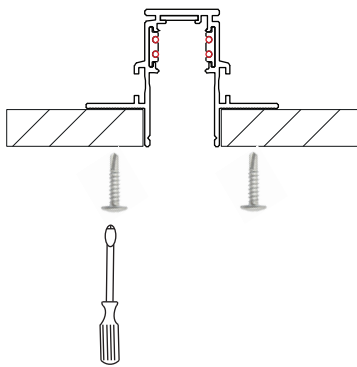
CUT OUT 28mm



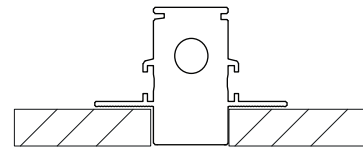
step 1_ Pass the profile through the hole as drawing below



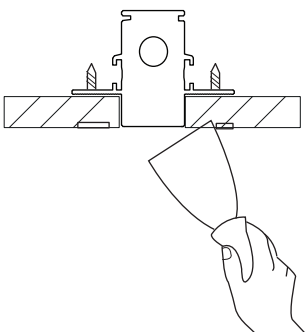
step 2_ screw from downside with self tapping screws.
important to keep the distance between the profile stable



step 3_ Put the end caps to the profile



step 4_ plaster the edge of false ceiling



step 5_ Connect the feeder and insert the magnetic luminaire

