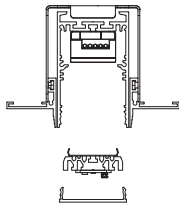
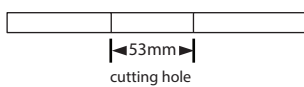


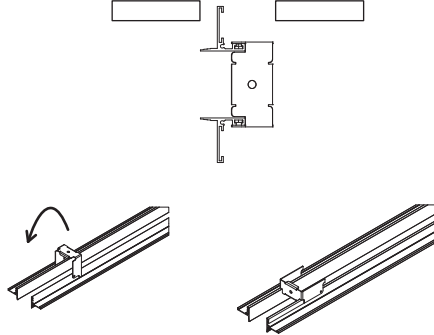
## INSTRUCTION SHEET OF TRIMLESS RECESSED 'ALPHA' PROFILE

## Cautions:

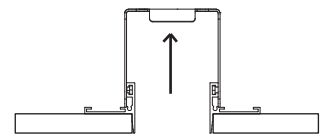
1. Make sure the power stay on power "OFF" position before safe operation;
2. The installation operator must hold a qualified electrician certificate.
3. Check the lighting fixture and accessories before installation. If there is any damage in lamp body or glass ,please stop the installation.



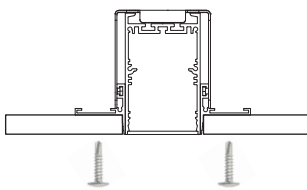
step 1\_ Disassembly the fixture and prepare the cutting hole



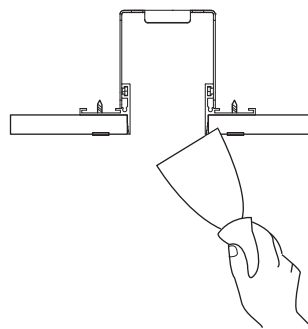
step 2\_ close the red bracket and insert the profile to the hole



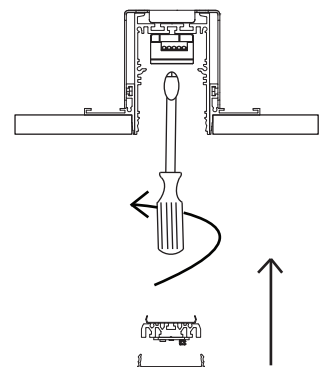
step 3\_ open the red bracket after you pass the profil into the ceiling



step 4\_ screw from downside with self tapping screws.  
important to keep the distance between the profile stable by using the metal part named 'driver'



step 5\_ plaster the edge of false ceiling



step 6\_ connect the terminal block according the wiring, connect the fast terminal block and insert the heatsink with LED part and plastic cover