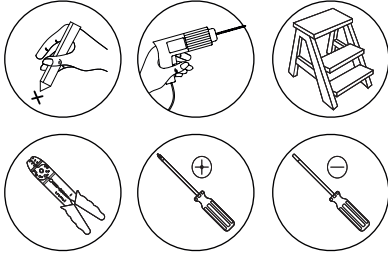


Product Installation Sheet

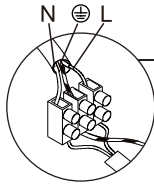


Please read instructions before commencing installation and retain for future reference.

INSTALLATION INSTRUCTIONS

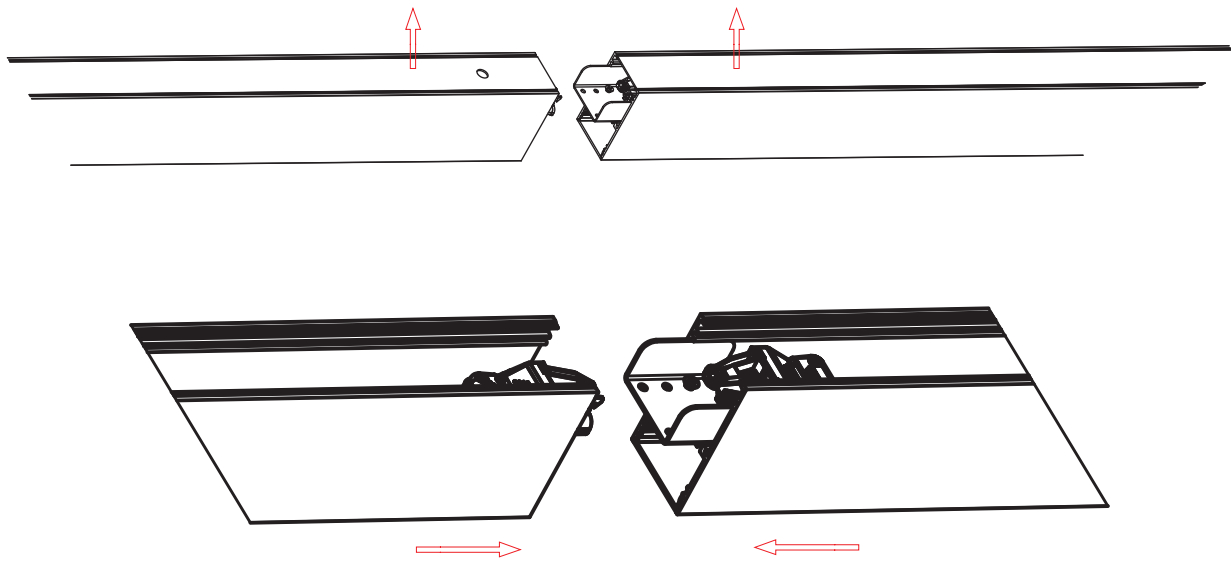
⚠ Electrical products can cause death, injury, or damage to property. Maintenance and installation should only be carried out by a professional electrician.

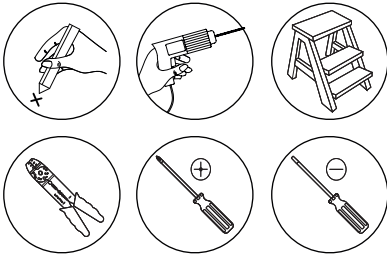
- Ensure main supply is switched off.
- Remove the aluminum upper covers parallel to the profile to access the inside.
- Bring the two pieces close together so that they snap into each other.



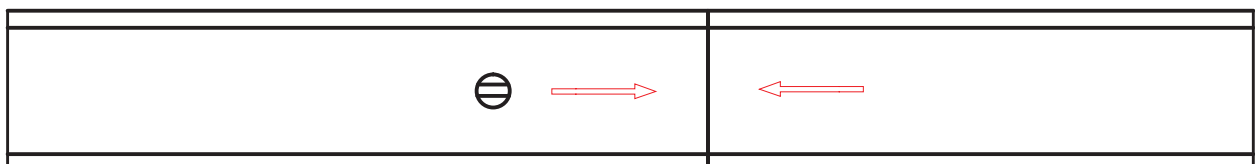
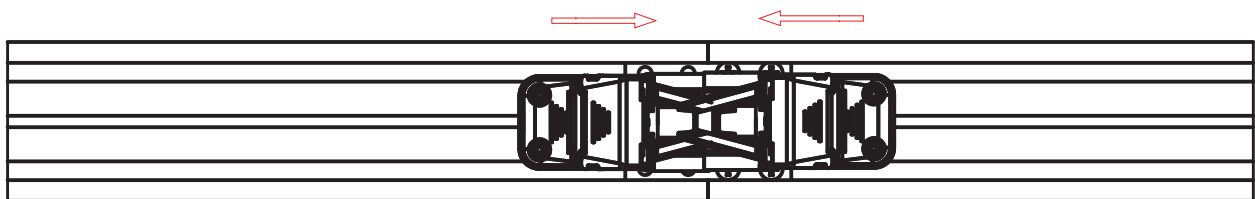
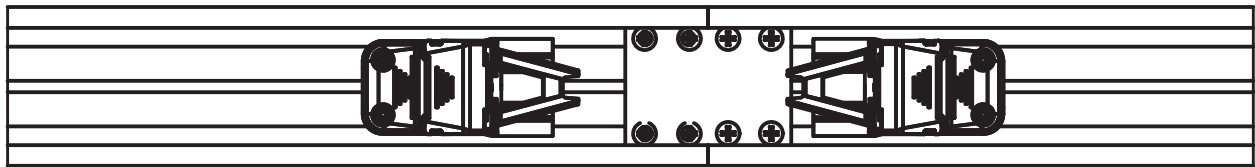
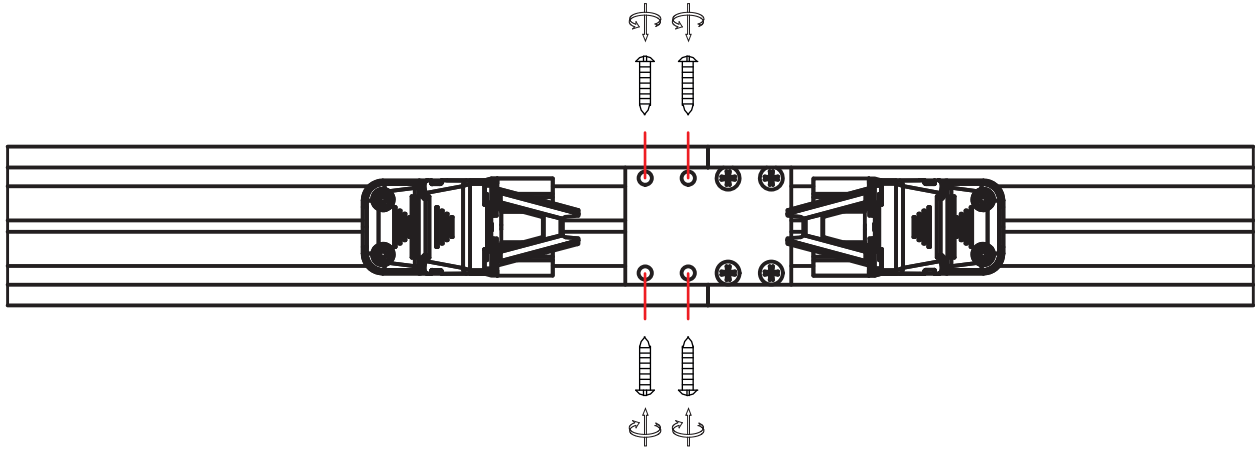
How to Connecting the Terminal Block

Connect main supply (**brown** - Live, **blue** - Neutral) into terminal block making sure all connections are tight.





- Secure the profiles together with self-tapping screws.
- Then, connect the fuses to lock.
- Finally, place the aluminum upper covers again parallel to the profiles.



WARNING

- Make sure that the products is installed properly before connecting to electricity.
- Do not cover the fitting.
- Not for outdoor use or in wet conditions.