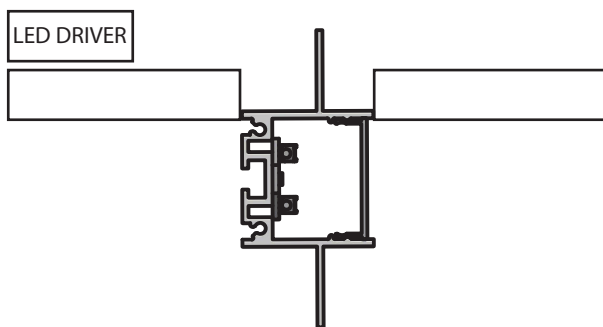
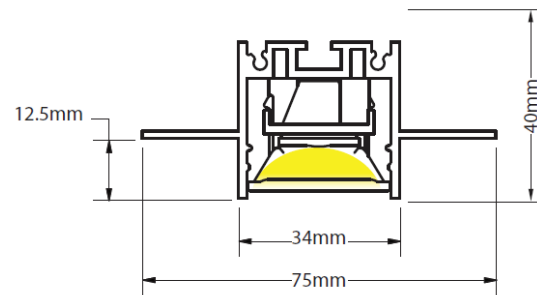


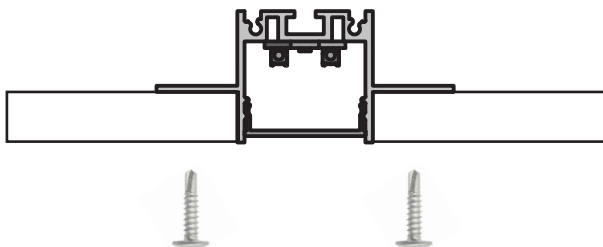
INSTRUCTION SHEET OF TRIMLESS THITA & ZITA PROFILE

Cautions:

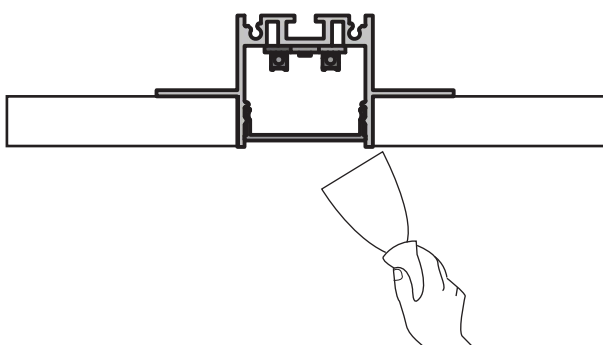
1. Make sure the power stay on power "OFF" position before safe operation;
2. The installation operator must hold a qualified electrician certificate.
3. Check the lighting fixture and accessories before installation. If there is any damage in lamp body or glass ,please stop the installation.



Connect the power supply to the terminal block
The Driver must be installed remoted with potentially access after installation is shettled.
Pass the fixture through the hole



Screw from downside with self tapping screws.



Plaster the edge of false ceiling