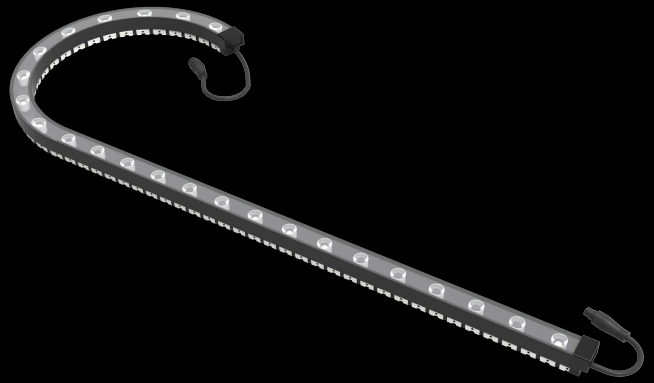


NEO 3D WALL WASHER

Flexible wall washer light with lenses & two-ways bendable
 Wall washer flexible dans les 2 directions avec optique A433I



Temperature de couleur CCT

2700K | 3000K | 4000K | 6000K | DW(2700+6500K) | RGB | RGBW(6500K)

Precision de couleur & IRC Color consistency & CRI

OneBinOnly | 80/90+

Puissance lumineuse & Angle ouverture Luminous output & Beam angle (@4000K 940)

1800 lm | 25° | 35° | 20x55°

Puissance Power

18 w/m

Coupe Cutting Pace

124,5 mm (White / Dynamic White) | 249mm (RGBX / RGBWX)

Dimensions Dimensions

1000 x 25 x 27 mm

Indices de protection & normes Standards

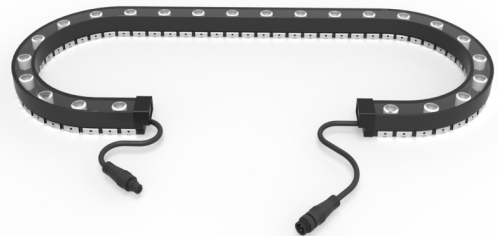
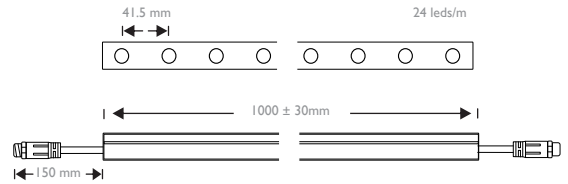
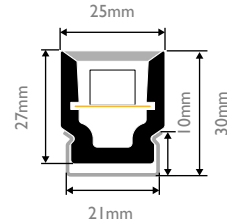
IP66 | IK08 | L70B50 | 36000h | CE | UL Listed
 Flame resistant - UV resistant - Solvent resistant - Saltwater resistant

Tension alimentation & Classe isolation Input voltage & Class

24Vdc | class III

Température d'utilisation Ambient temperature

- 20°C / + 45°C



A433I.35D.940.BLK.IP66.DALI

Optic

25°	25D
35°	35D
20x55°	2055D

CCT & luminous flux

2700K	1600 lm/m	827 / 927
3000K	1650 lm/m	830 / 930
4000K	1800 lm/m	840 / 940
6000K	1800 lm/m	860 / 960

2700+6500K 800+900 lm/m DW

RGB DMX RGB RGBX
 RGBW DMX RGB+6500K RGBWX

Color of silicon

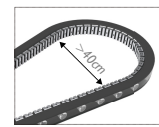
Black BLK
 White WHT

IP Rating

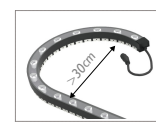
IP 66 IP66

Dimming

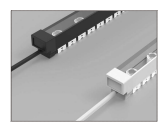
No dimming HF
 Dali DALI
 Dmx DMX
 Dimming I to 10VDC D10



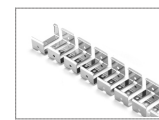
TOP bend



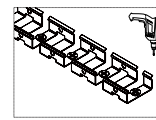
SIDE bend



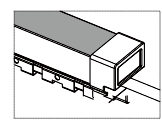
Black / White silicon



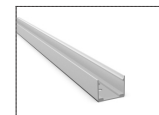
A433I.MGT
Moldable groove



A433I.MGT
Moldable groove



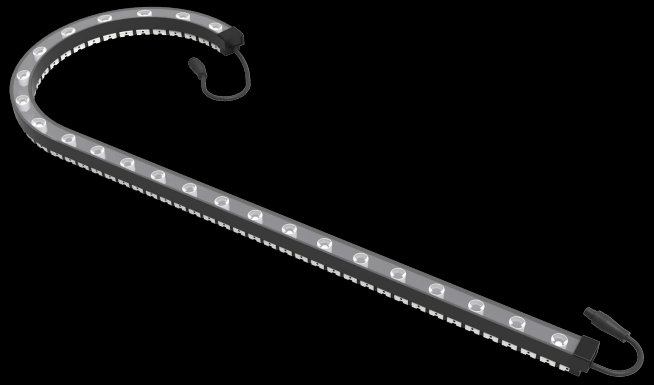
A433I.MGT
Moldable groove



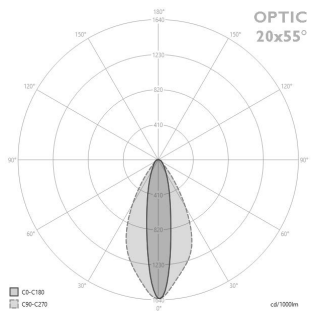
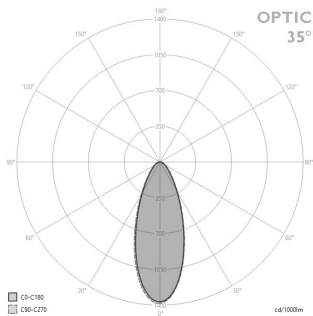
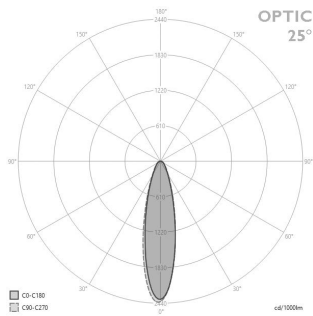
A433I.ALP
Aluminium profile

NEO 3D WALL WASHER

Flexible wall washer light with lenses & two-ways bendable
Wall washer flexible dans les 2 directions avec optique
A433 I



Get Dialux files on : www.atea.fr/433I.zip



ATEA

