



PHOS
ENGINEERING LIGHT

ECLIPSE MINI TRIM
STANDARD

ECLIPSE MINI TRIM - STANDARD

The Eclipse Mini Trim is a recessed, tilt behind, adjustable downlight with a Ø86mm bezel and features a beautifully sculpted anti-glare baffle.

PRODUCT FEATURES

- Downlight
- Adjustable
- Interior
- LED
- IP65
- Available in all Phos finishes
- Interchangeable optics (pre & post install)

PHOS STANDARDS

- 60min fire-certified
- Acoustic-rated
- UK designed, manufactured and assembled
- 5 year warranty

OPTICS

- Standard beam angles:
10°/ 20°/ 30°
- Ellipsoidal accessories using:
10° optic: 14.8° x 53.2°
20° optic: 24.1° x 58.8°
30° optic: 37.5° x 66.3°

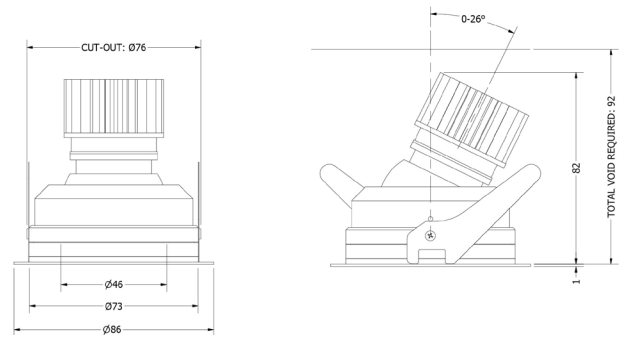
PHYSICAL PROPERTIES

- Diameter Ø86mm
- Height 83mm (4W/9W)
- Height 106mm (14W)
- Cut-out Ø76mm
- Tilt Max 26°

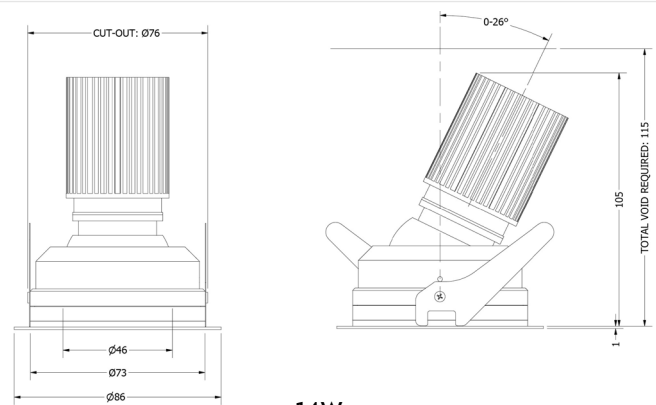
PRODUCT VIEW



DIMENSIONS



4W & 9W



14W

TECHNICAL SPECIFICATIONS (Preliminary testing data)

CCT	2700K								
	4W			9W			14W		
Beam Angles	10°	20°	30°	10°	20°	30°	10°	20°	30°
Luminaire Lumens (lm)	334	303	296	481	489	485	725	650	630
Circuit Watts (c/W)	5.9	6	5.9	10.5	10.5	10.5	15.5	15.5	15.5
Luminaire Efficacy (l/cW)	56	51	50	46	47	46	47	42	41
Luminaire (Cd)	6294	1521	888	8814	2507	1476	14516	3321	1969
Forward Voltage (Vf)	11.78			12.36			12.65		
Current (mA)	350			700			1050		

CCT	3000K								
	4W			9W			14W		
Beam Angles	10°	20°	30°	10°	20°	30°	10°	20°	30°
Luminaire Lumens (lm)	378	342	336	635	580	564	893	772	772
Circuit Watts (c/W)	5.9	5.9	5.9	10.6	10.5	10.6	15.8	15.7	15.7
Luminaire Efficacy (l/cW)	64	58	57	60	55	54	57	49	49
Luminaire (Cd)	3060	3048	3032	9895	2855	1745	14115	4027	2529
Forward Voltage (Vf)	11.78			12.36			12.65		
Current (mA)	350			700			1050		

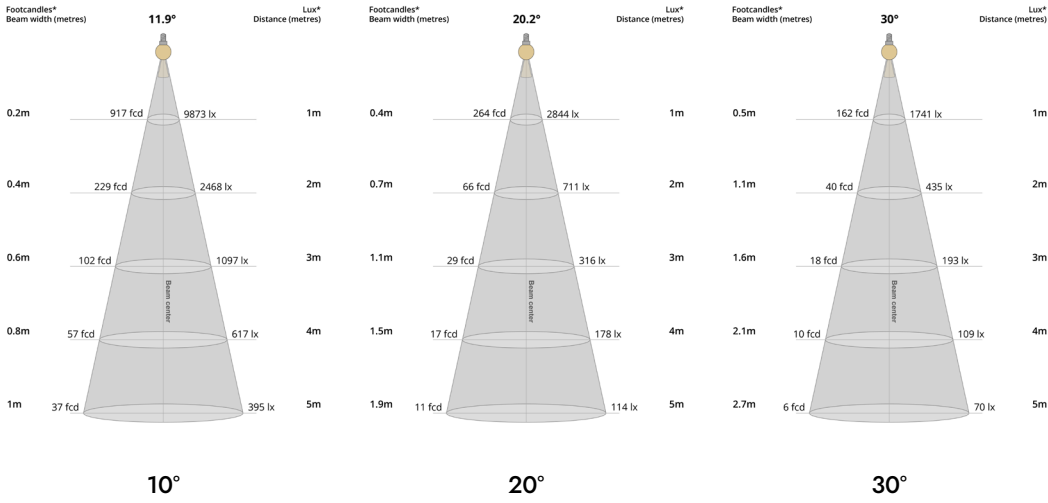
Binning	2 step MacAdams
CRI	90+
TM-30-15	Rg 101 Rf 90
Lumen Maintenance	LM80
Lifetime	50,000 hours

Dimming Options	Mains dim / Non-dim / 0-10V / DALI (dim to dark 0.01%) / Casambi
Flicker Index	0
SVM: (Visual Flicker)	0.02

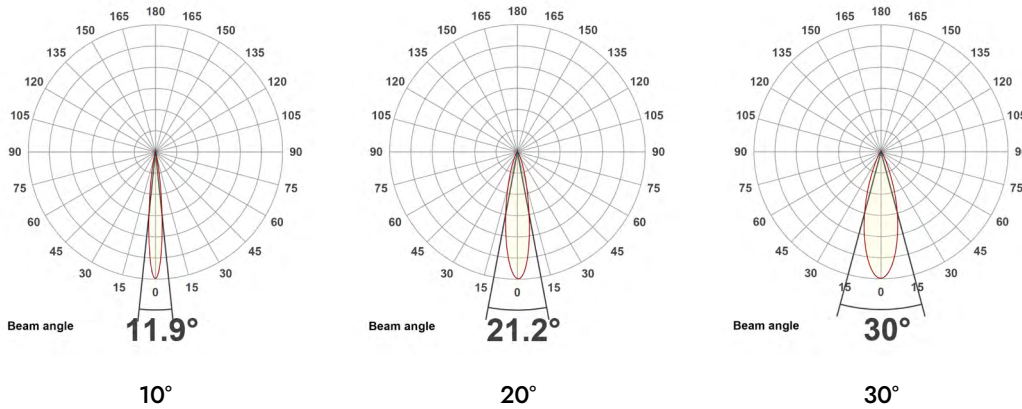
Driver distance from fitting	Up to 10m (AWG 20)*
Wiring Type	Series
Accessories	Remote emergency (Maintained / Self Test)

*If driver distance from fitting is +10m see driver configurator document for guidance

LIGHT CONES



POLAR CURVES



PARTCODE BUILDER

Example Code: **EE-MTA-WT/B3/WT/WT-STD14-30-90-20-1050**

Family	Variant	Bezel Finish	Socket Finish	Outer Baffle Finish	Inner Baffle Finish	Engine	Power	CCT	CRI	Beam Angle	Driver Current		
EE Eclipse	MTA Mini Trim	WT White Textured	B3 Black	WT White Textured	WT White Textured	STD Standard	4 Watts	27 2700K	90	10	350		
		B1 Anodised Black					B1 Anodised Black	B1 Anodised Black		9 Watts	30 3000K	20	700
		*C Custom					*C Custom	*C Custom		14 Watts	40 4000K	30	1050

*Codes for custom finishes can be found on the page 6.

ACCESSORIES (multiple inserts available per fitting)



Commissioning Tool (Plastic)
ACCS-TOOL-P-BAFFLE



SNOOT
ACCS-SNOOT



Honeycomb Recessed
ACCS-RECESSED-HCOMB



Honeycomb Flush
ACCS-FLUSH-HCOMB



Softening Insert Recessed
ACCS-RECESSED-SOFT



Softening Insert Flush
ACCS-FLUSH-SOFT



Opal Insert Recessed
ACCS-RECESSED-OPAL



Opal Insert Flush
ACCS-FLUSH-OPAL



Elliptical Insert Recessed
ACCS-RECESSED-10X60ELLIPTICAL



Elliptical Insert Flush
ACCS-FLUSH-10X60ELLIPTICAL



Colour Change Insert Recessed
ACCS-RECESSED-FILTER18K
ACCS-RECESSED-FILTER22K
ACCS-RECESSED-FILTER24K
ACCS-RECESSED-FILTER25K



Colour Change Insert Flush
ACCS-FLUSH-FILTER18K
ACCS-FLUSH-FILTER22K
ACCS-FLUSH-FILTER24K
ACCS-FLUSH-FILTER25K

FINISHES

Every element of your light can be finished in any of the options below:

PLATED (Interior ONLY)



Antique Bronze
01



Antique Brass
02



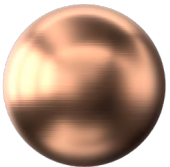
Polished Chrome
03



Satin Nickel
04



Polished Copper
05



Satin Copper
06

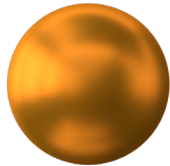


Polished Brass
09

ANODISED (Interior ONLY, except Orba Exteriors)



Tuba Brass
11



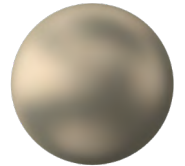
Antique Gold
12



Espresso Bronze
13



Cocoa Bronze
14



Ice Gold
15



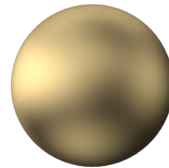
Mocha Bronze
16



Taupe Bronze
17



24K Gold
18



Champagne Gold
19



Anodised Black (9005)
B1

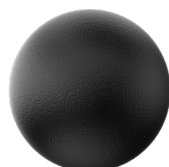
POWDER COAT (Interior & Exterior)



Pure White (9010)
W1



Textured White (9010)
WT



Textured Black (9005)
BT



RAL Classic
www.phos.co.uk/finishes



RAL Design
price on application