



PHOS  
ENGINEERING LIGHT

ORBA EXTERIOR SURFACE INTEGRAL  
STANDARD

## ORBA EXTERIOR SURFACE INTEGRAL - STANDARD

A BESA-compatible, surface-mounted enclosure housing an IP65 mains-dimmable driver. This model can be used in conjunction with any of the other exterior options.

### PRODUCT FEATURES

Spotlight

Adjustable

Exterior

LED

IP65

Available in powder coated and anodised finishes

Interchangeable optics & accessories (pre & post install)

### PHOS STANDARDS

60min fire-certified

Acoustic-rated

UK designed, manufactured and assembled

5 year warranty

### OPTICS

Standard beam angles:  
10° / 20° / 30° / 50°

### PHYSICAL PROPERTIES

Diameter  $\varnothing$ 70mm

Height 143mm

Tilt Max 210°

Rotation 360°

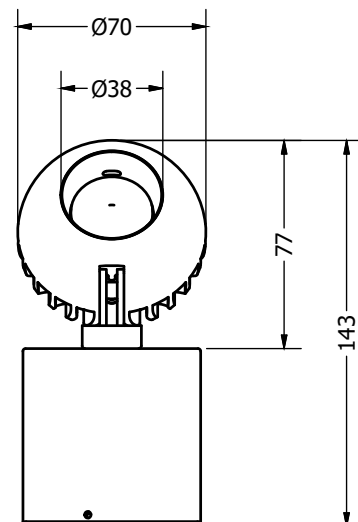
### DRIVER INFORMATION

[Driver Configurator \(Link\)](#)

### PRODUCT VIEW



### DIMENSIONS



## TECHNICAL SPECIFICATIONS

CCT	2700K			
Wattage	9W			
Beam Angles	10°	20°	30°	50°
Luminaire Lumens (lm)	438	471	408	323
Circuit Watts (c/W)	10.5	10.5	10.4	10.4
Luminaire Efficacy (l/cW)	42	35	39	31
Luminance (Cd)	7505	2286	1630	573
Forward Voltage (Vf)	12.36			
Current (mA)	700			

CCT	3000K			
Wattage	9W			
Beam Angles	10°	20°	30°	50°
Luminaire Lumens (lm)	529	440	462	375
Circuit Watts (c/W)	10.6	10.5	10.5	10.5
Luminaire Efficacy (l/cW)	50	42	44	36
Luminance (Cd)	7774	2672	1838	671
Forward Voltage (Vf)	12.36			
Current (mA)	700			

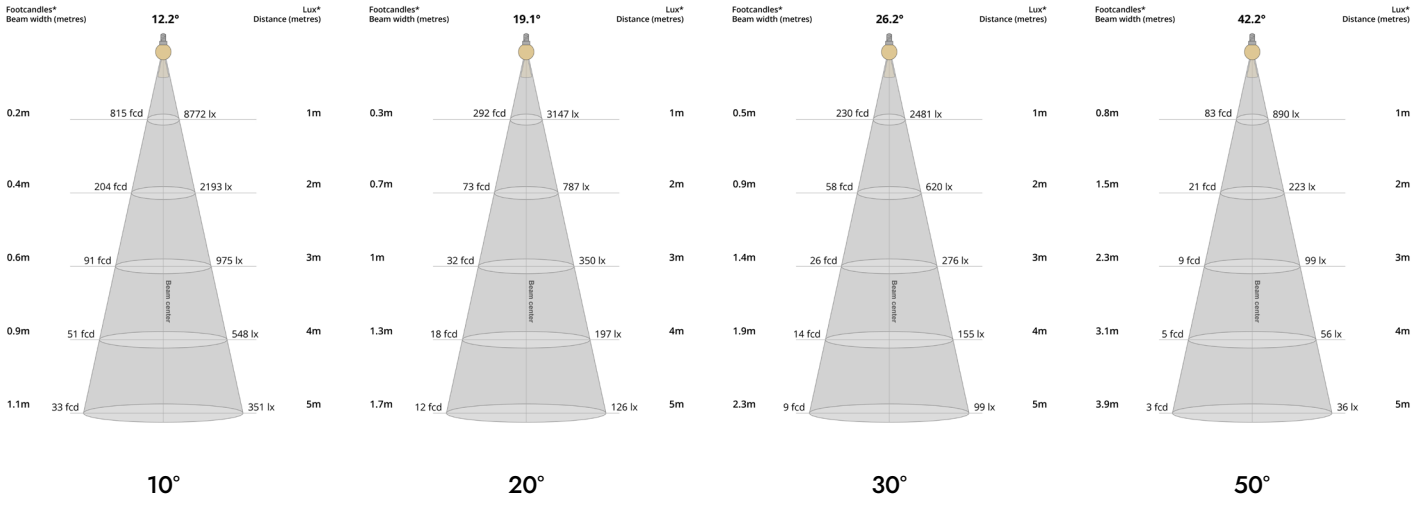
Binning	2 step MacAdams
CRI	90+
TM-30-15	Rg 102 Rf 90
Lumen Maintenance	LM80
Lifetime	50,000 hours

Dimming Options	Mains dim / Non-dim / 0-10V / DALI (dim to dark 0.01%) / Casambi
Flicker Index	0
SVM: (Visual Flicker)	0.02

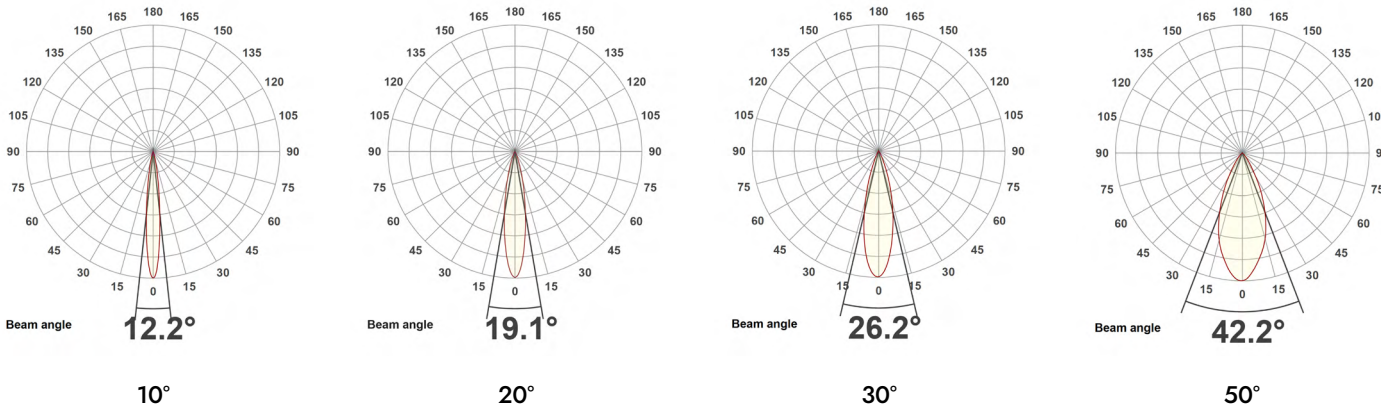
Driver distance from fitting	Up to 10m (AWG 20)*
Wiring Type	Series
Accessories	Remote emergency (Maintained / Self Test)

\*If driver distance from fitting is +10m see driver configurator document for guidance

## LIGHT CONES



## POLAR CURVES



## PARTCODE BUILDER

Example Code: **OR-E-SI-WT/WT/WT-STD14-30-90-20-1050**

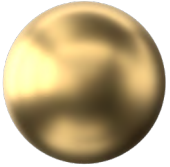
Family	Variant	Mount Finish	Body Finish	Outer Baffle Finish	Engine	Power	CCT	CRI	Beam Angle	Driver Current
<b>OR</b> Orba	<b>E-SI</b> Exterior Surface Integral	<b>WT</b> White Textured	<b>WT</b> White Textured	<b>WT</b> White Textured	<b>STD</b> Standard	<b>9</b> Watts	<b>27</b> 2700K	<b>90</b>	<b>10</b>	<b>700</b>
		<b>B1</b> Anodised Black	<b>B1</b> Anodised Black	<b>B1</b> Anodised Black			<b>30</b> 3000K		<b>20</b>	
		<b>*C</b> Custom	<b>*C</b> Custom	<b>*C</b> Custom			<b>40</b> 4000K		<b>30</b>	
									<b>50</b>	

\*Codes for custom finishes can be found on the next page.

## FINISHES

Every element of your light can be finished in any of the options below, or RAL colour:

### ANODISED



Tuba Brass  
11



Antique Gold  
12



Espresso Bronze  
13



Cocoa Bronze  
14



Ice Gold  
15



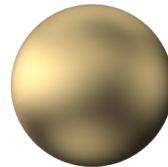
Mocha Bronze  
16



Taupe Bronze  
17



24K Gold  
18



Champagne Gold  
19



Anodised Black (9005)  
B1

### POWDER COATED



Pure White (9010)  
W1

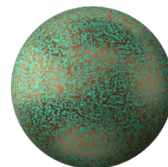


Textured White (9010)  
WT

### WET SPRAYED



Rust  
26



Verdigris  
27



Wet Bronze  
28